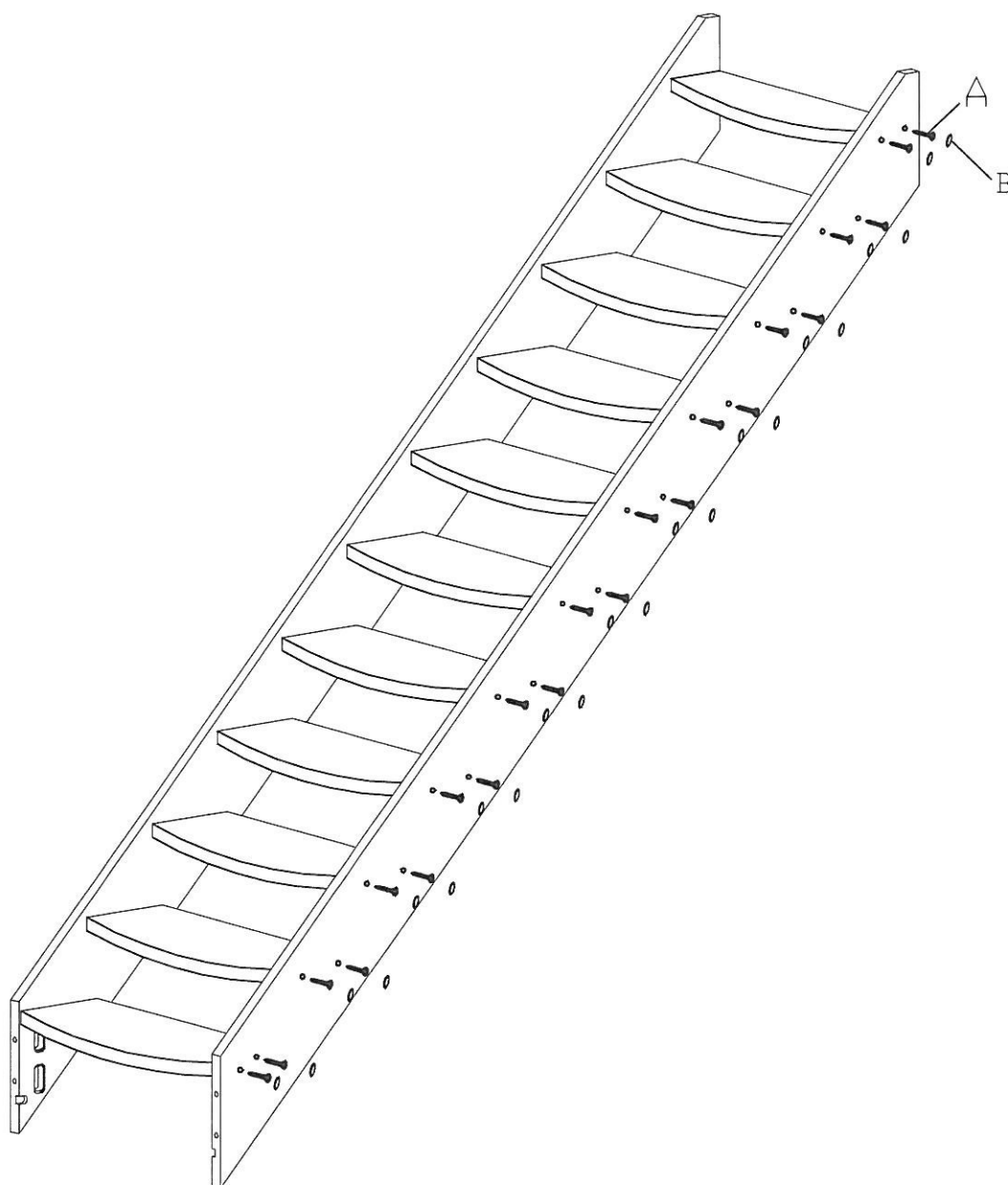
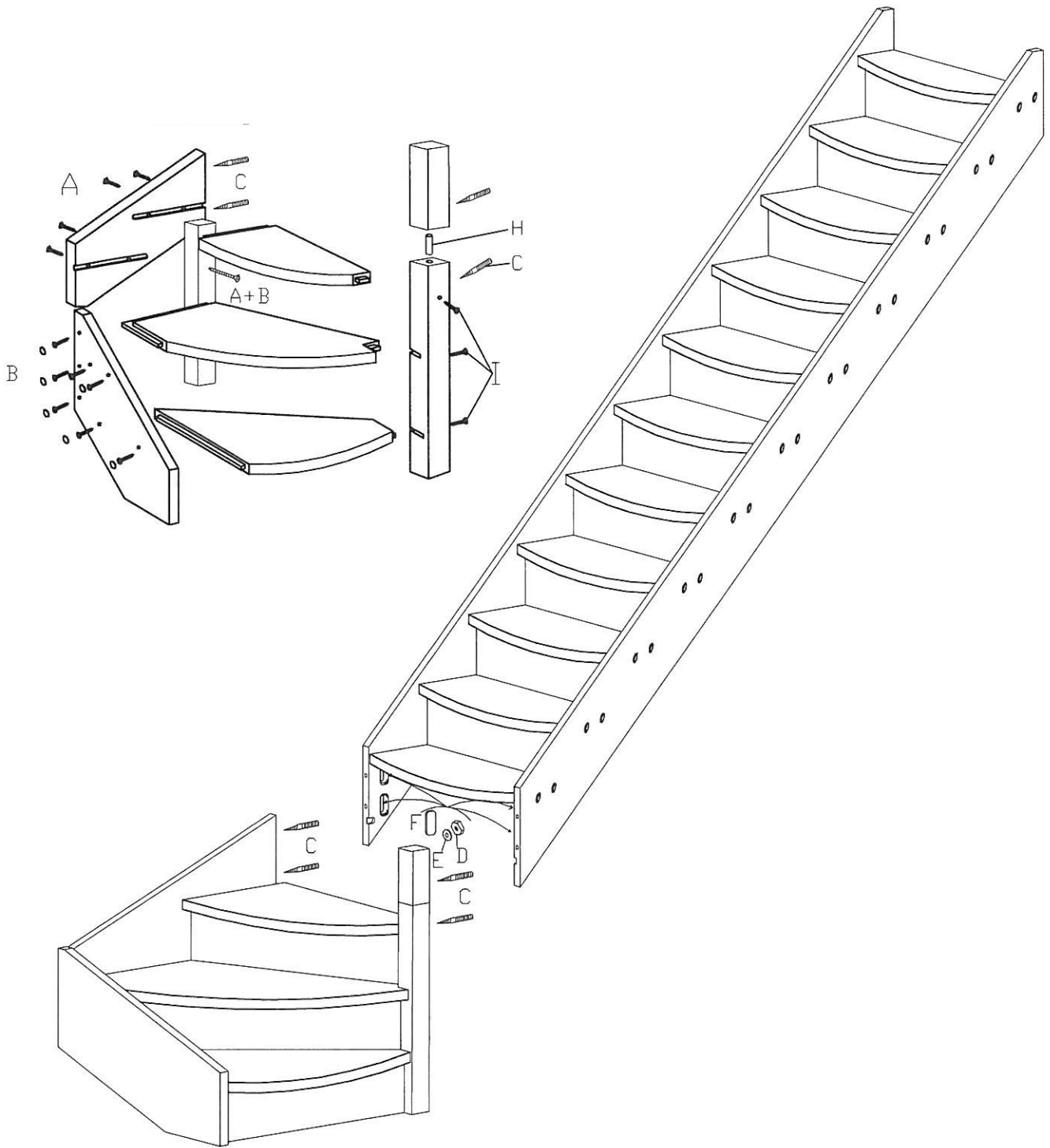


# Montážní návod



A  6x60mm = 44

B  = 44



A  6x60mm =15


B  =18

C  M8X120mm =4

D  =4

E  =4

F  =4

H  =1

I  5x120mm =3

