

Art.Nr.
5901310901/5901310903
AusgabeNr.
5901310850
Rev.Nr.
04/07/2016

























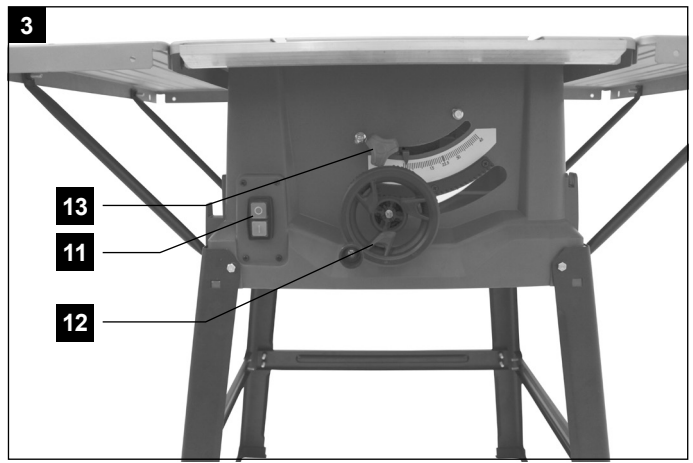
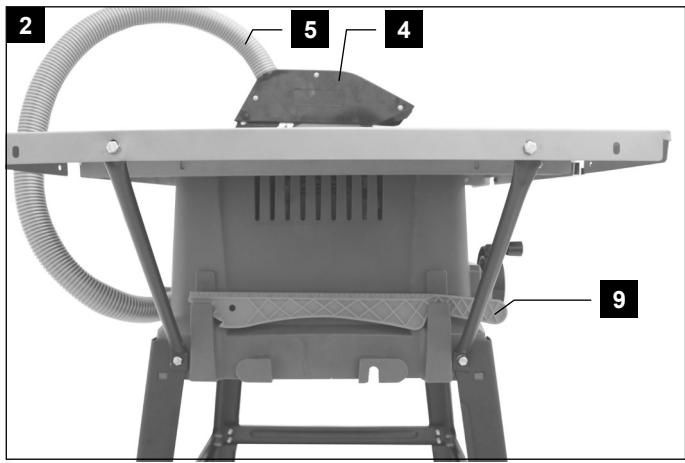
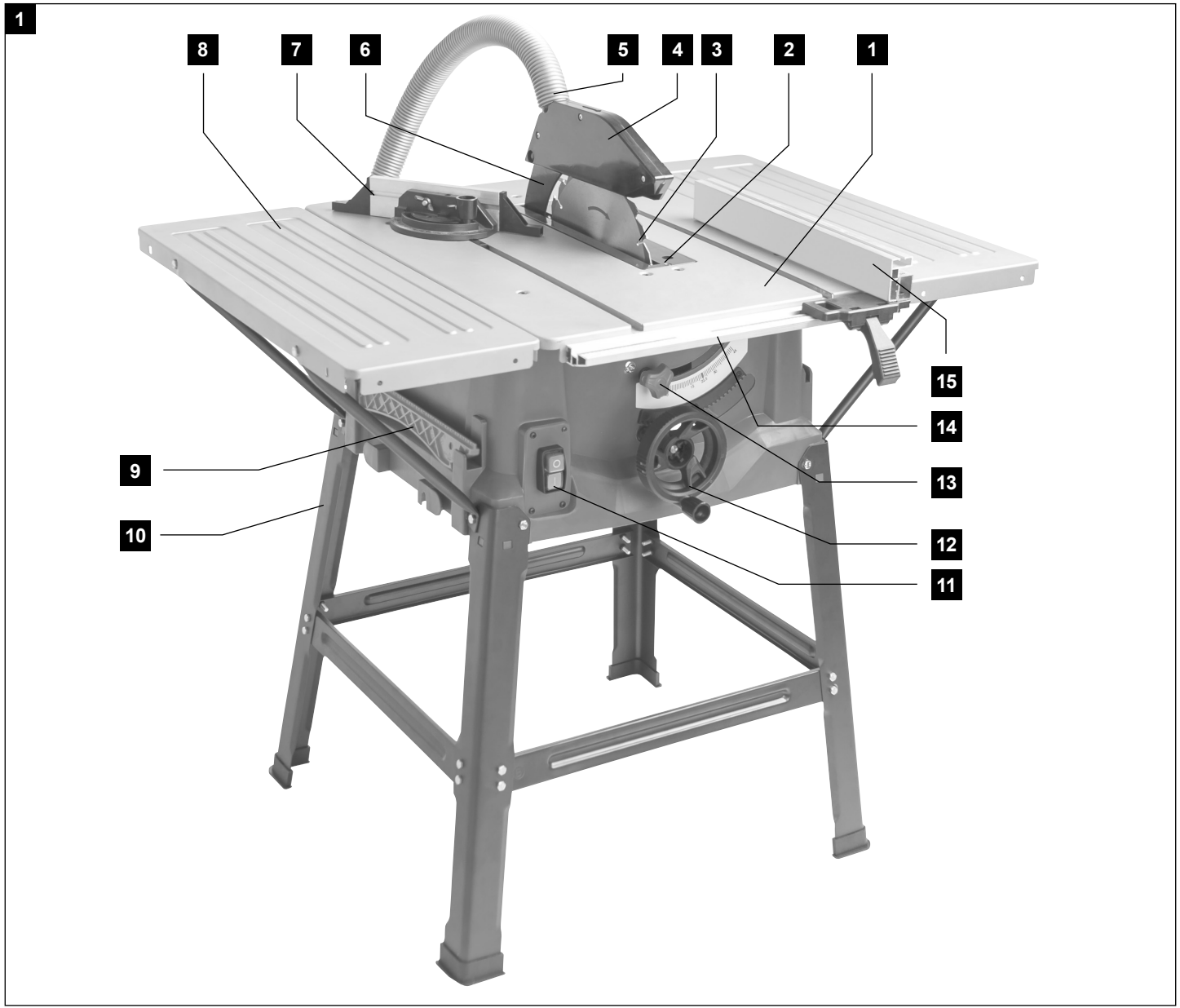
schepach

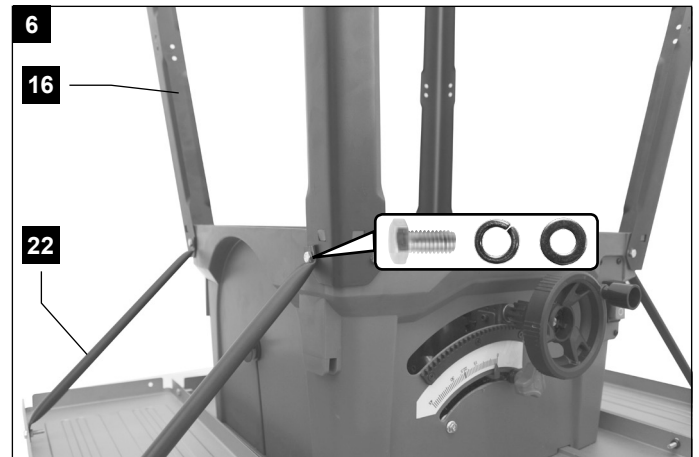
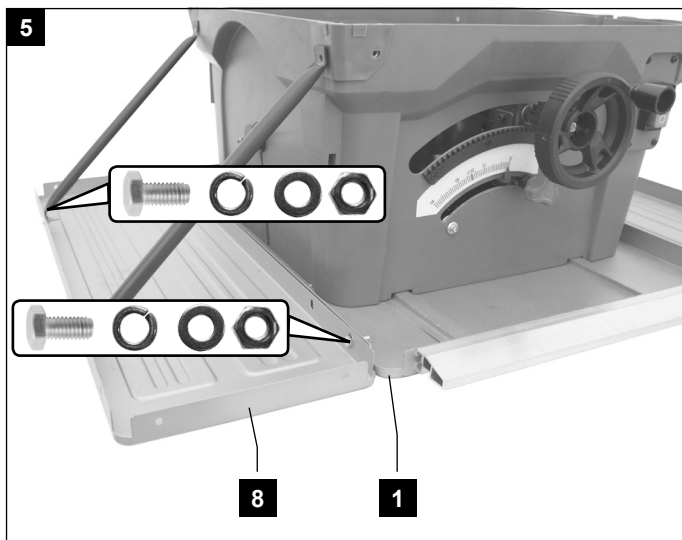
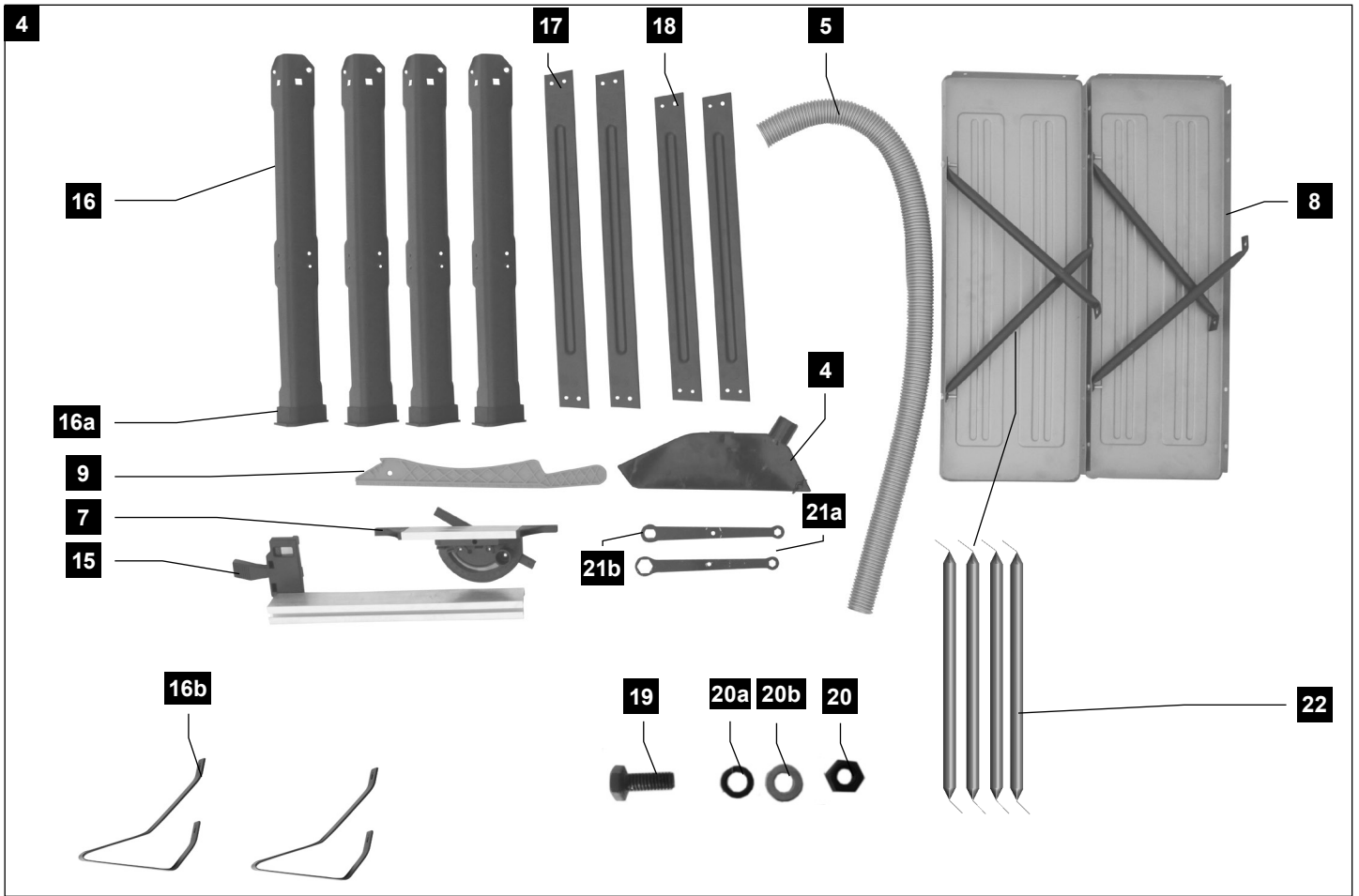


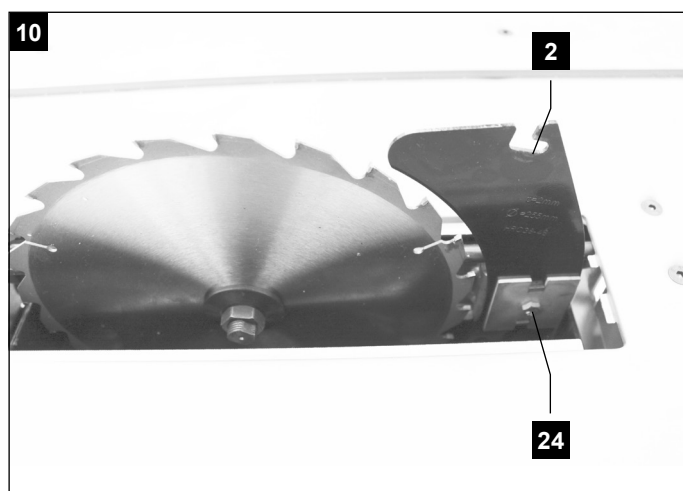
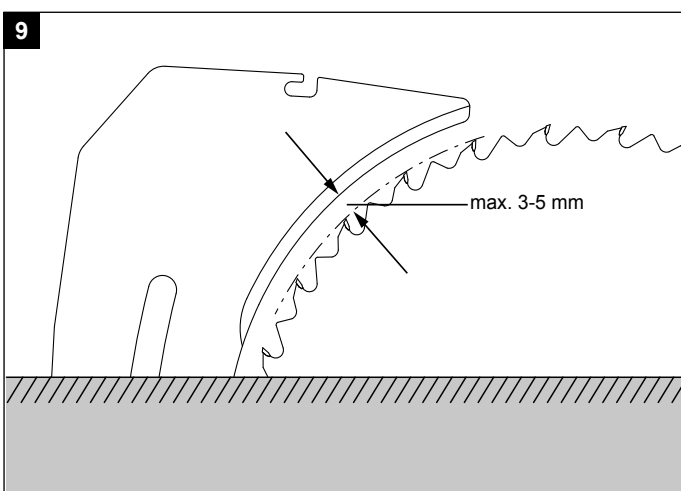
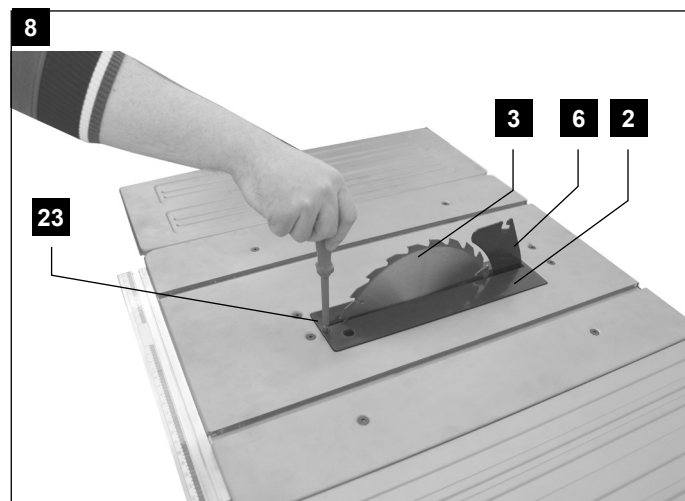
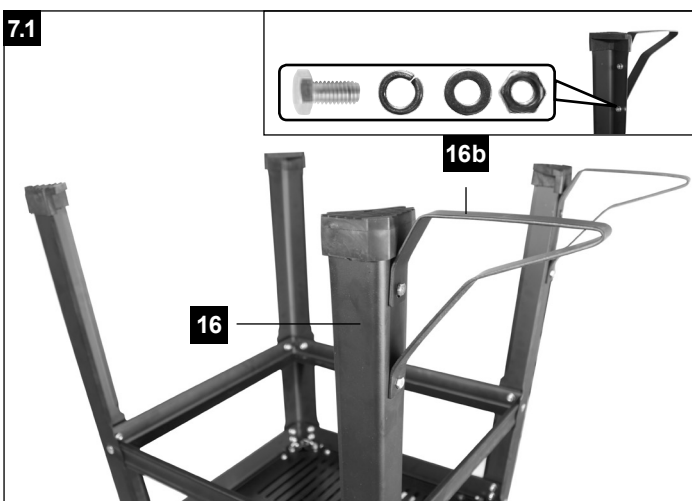
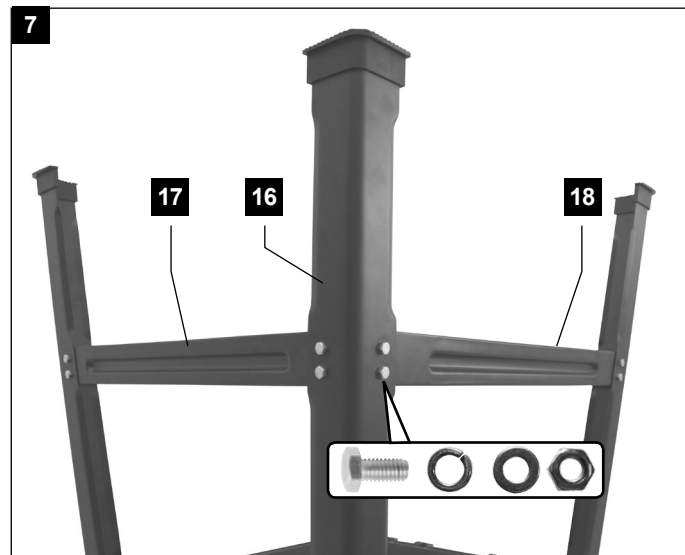
HS100S

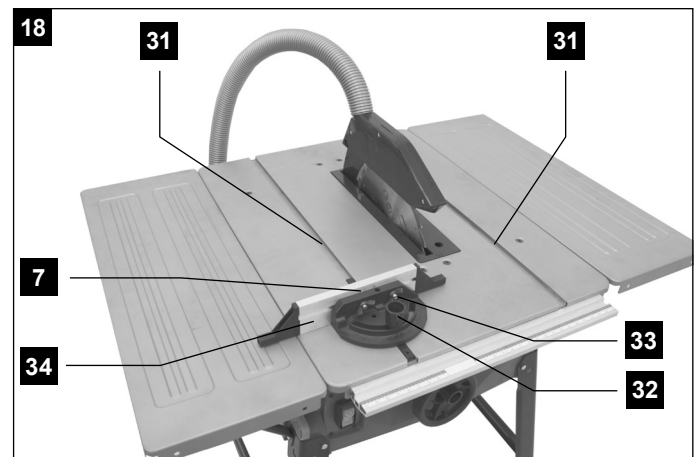
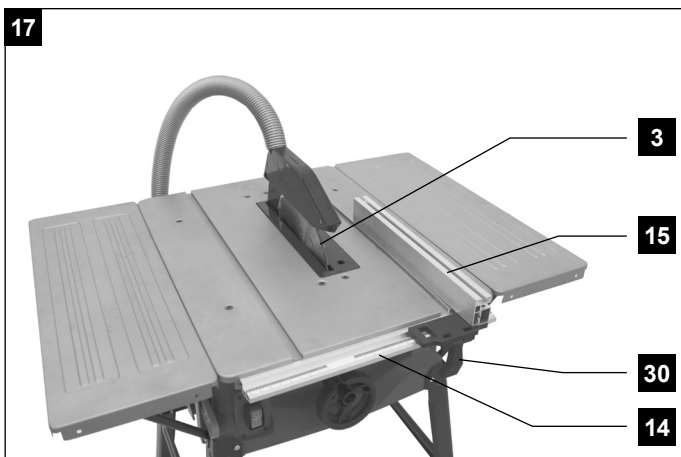
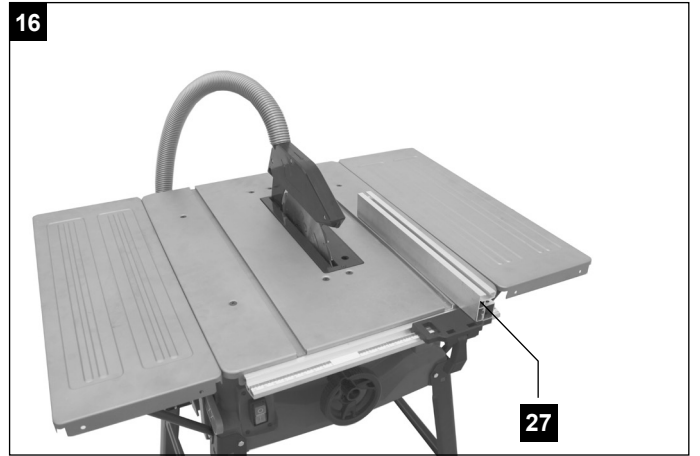
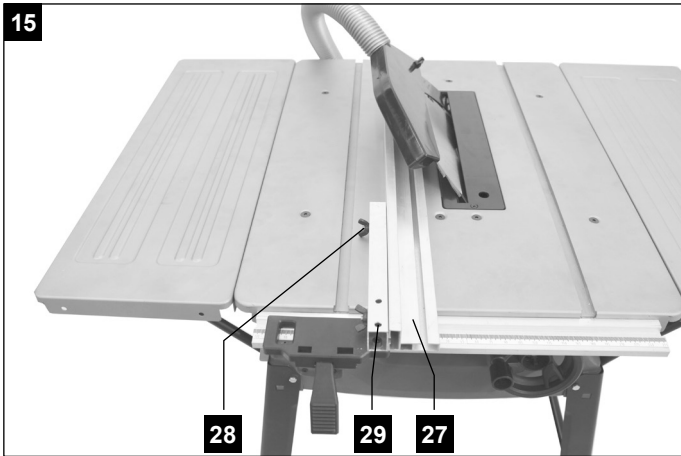
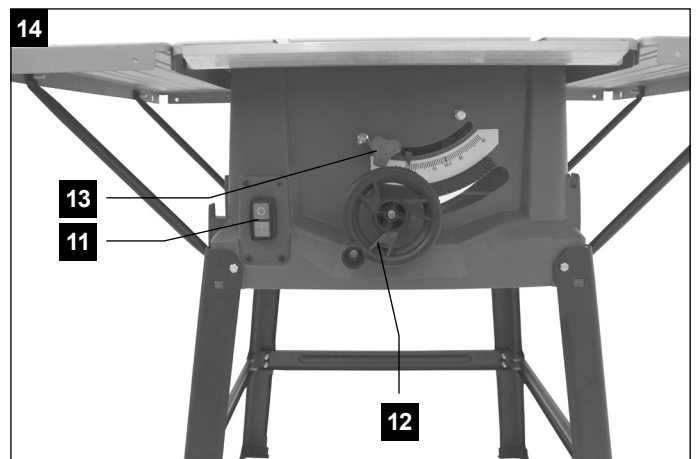
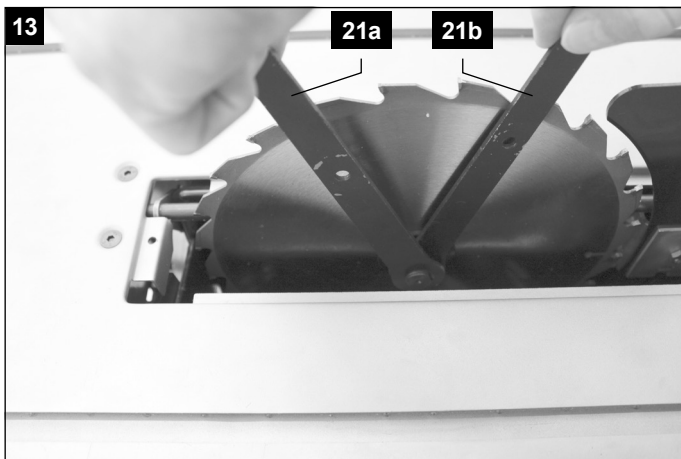
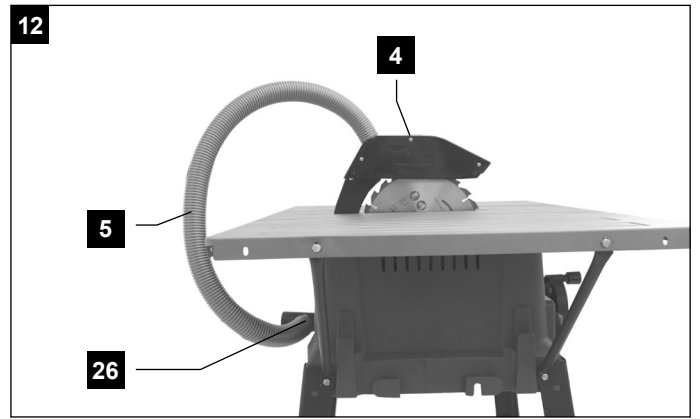
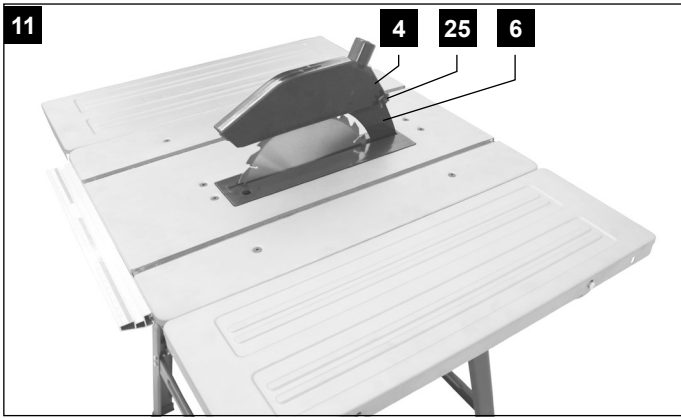
GB	Table Saw Translation of Original Operating Manual	8
CZ	Stolová kotoučová pila Překlad originálního návodu k obsluze	17
SK	Stolová kotúčová pila Preklad originálu návodu na obsluhu	26
HU	Fűrészasztal Az eredeti használati útmutató fordítása	36
PL	Tabela Piła Tłumaczenie oryginalnej instrukcji obsługi	45
HR	Tablica pila Prijevod Original upute za uporabu	55
SI	Namizna krožna žaga Prevod originalnih navodil za uporabo	64
DE	Tischkreissäge Originalbetriebsanleitung	73

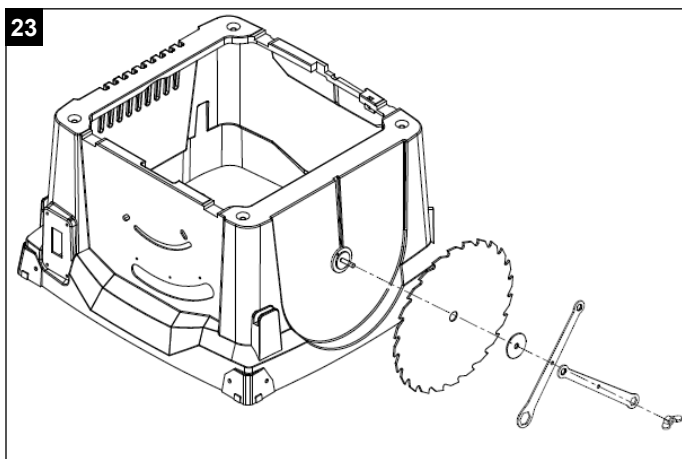
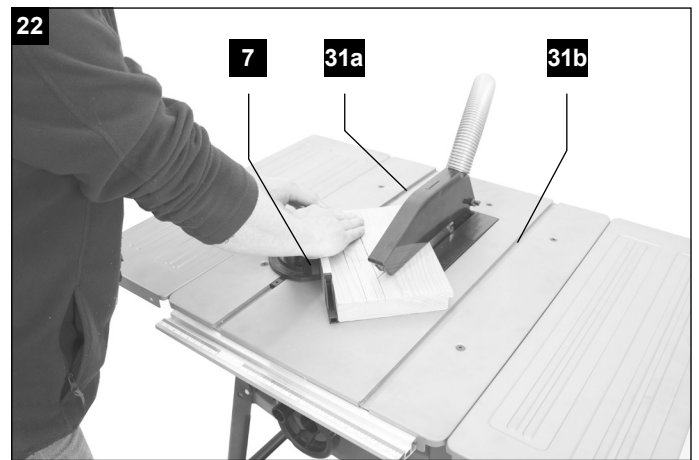
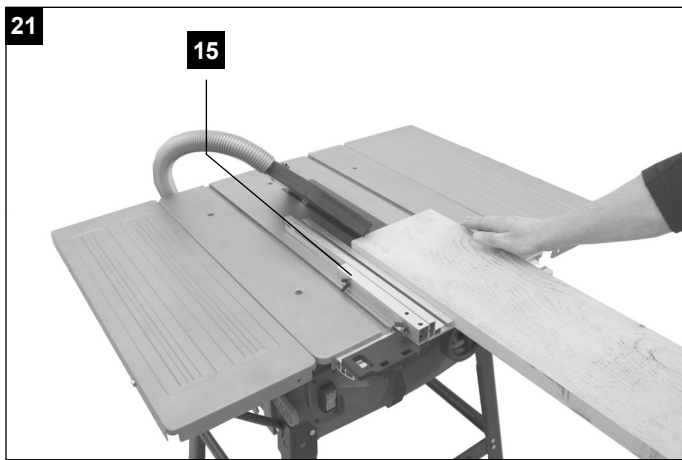
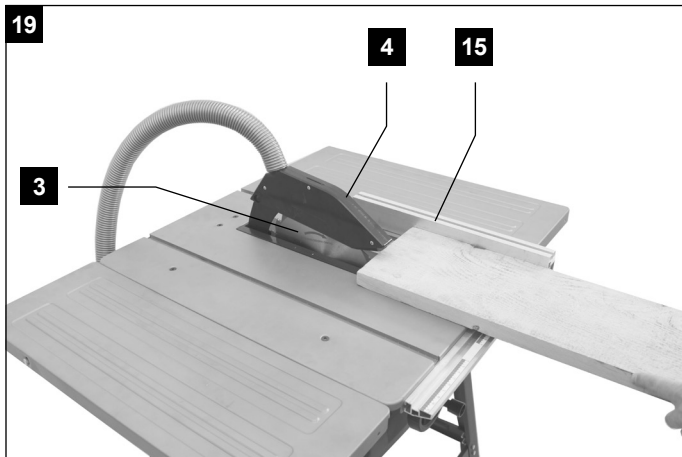
<p>DE</p> 	<p>Nur für EU-Länder. Werfen Sie Elektrowerkzeuge nicht in den Hausmüll! Gemäß europäischer Richtlinie 2012/19/EU über Elektro- und Elektronik-Altgeräte und Umsetzung in nationales Recht müssen verbrauchte Elektrowerkzeuge getrennt gesammelt und einer umweltgerechten Wiederverwertung zugeführt werden.</p>
<p>GB</p> 	<p>Only for EU countries. Do not dispose of electric tools together with household waste material! In observance of European directive 2012/19/EU on wasted electrical and electronic equipment and its implementation in accordance with national law, electric tools that have reached the end of their life must be collected separately and returned to an environmentally compatible recycling facility.</p>
<p>FR</p> 	<p>Pour les pays européens uniquement Ne pas jeter les appareils électriques dans les ordures ménagères! Conformément à la directive européenne 2012/19/EU relative aux déchets d'équipements électriques ou électroniques (DEEE), et à sa transposition dans la législation nationale, les appareils électriques doivent être collectés à part et être soumis à un recyclage respectueux de l'environnement.</p>
<p>IT</p> 	<p>Solo per Paesi EU. Non gettare le apparecchiature elettriche tra i rifiuti domestici! Secondo la Direttiva Europea 2012/19/EU sui rifiuti di apparecchiature elettriche ed elettroniche e la sua attuazione in conformità alle norme nazionali, le apparecchiature elettriche esauste devono essere raccolte separatamente, al fine di essere reimpiegate in modo eco-compatibile.</p>
<p>NL</p> 	<p>Alleen voor EU-landen. Geef elektrisch gereedschap niet met het huisvuil mee! Volgens de Europese richtlijn 2012/19/EU inzake oude elektrische en elektronische apparaten en de toepassing daarvan binnen de nationale wetgeving, dient gebruikt elektrisch gereedschap gescheiden te worden ingezameld en te worden afgevoerd naar een recycle bedrijf dat voldoet aan de geldende milieu-eisen.</p>
<p>ES</p> 	<p>Sólo para países de la UE No deseches los aparatos eléctricos junto con los residuos domésticos! De conformidad con la Directiva Europea 2012/19/EU sobre residuos de aparatos eléctricos y electrónicos y su aplicación de acuerdo con la legislación nacional, las herramientas eléctricas cuya vida útil haya llegado a su fin se deberán recoger por separado y trasladar a una planta de reciclaje que cumpla con las exigencias ecológicas.</p>
<p>PT</p> 	<p>Apenas para países da UE. Não deite ferramentas elétricas no lixo doméstico! De acordo com a diretiva europeia 2012/19/EU sobre ferramentas eléctricas e electrónicas usadas e a transposição para as leis nacionais, as ferramentas eléctricas usadas devem ser recolhidas em separado e encaminhadas a uma instalação de reciclagem dos materiais ecológica.</p>
<p>SE</p> 	<p>Gäller endast EU-länder. Elektriska verktyg får inte kastas i hushållsoporna! Enligt direktivet 2012/19/EU som avser äldre elektrisk och elektronisk utrustning och dess tillämpning enligt nationell lagstiftning ska uttjänta elektriska verktyg sorteras separat och lämnas till miljövänlig återvinning.</p>
<p>FI</p> 	<p>Koskee vain EU-maita. Älä hävittää sähkötyökäluja tavallisen kotitalousjätteen mukana! Vanhoja sähkö- ja elektroniikkalaitteita koskevan EU-direktiivin 2012/19/EU ja sen maakohtaisten sovellusten mukaisesti käytetyt sähkötyökälu on toimitettava ongelmajätteen keräyspisteeseen ja ohjattava ympäristöstä-väliseen kierrätykseen.</p>
<p>NO</p> 	<p>Kun for EU-land. Kast aldri elektroverktøy i husholdningsavfallet! I henhold til EU-direktiv 2012/19/EU om kasserte elektriske og elektroniske produkter og direktivets iverksetning i nasjonal rett, må elektroverktøy som ikke lenger skal brukes, samles separat og returneres til et miljøvennlig gjenvinningsanlegg.</p>
<p>DK</p> 	<p>Kun for EU-lande. Elværktøj må ikke bortskaffes som almindeligt affald! I henhold til det europæiske direktiv 2012/19/EU om bortskaffelse af elektriske og elektroniske produkter og gældende national lovgivning skal brugt elværktøj indsamles separat og bortskaffes på en måde, der skåner miljøet mest muligt.</p>
<p>SK</p> 	<p>Kun for EU-lande. Elværktøj må ikke bortskaffes som almindeligt affald! I henhold til det europæiske direktiv 2012/19/EU om bortskaffelse af elektriske og elektroniske produkter og gældende national lovgivning skal brugt elværktøj indsamles separat og bortskaffes på en måde, der skåner miljøet mest muligt.</p>
<p>SI</p> 	<p>Samo za države EU. Električnega orodja ne odstranjujete s hišnimi odpadki! V skladu z Evropsko direktivo 2012/19/EU o odpni električni in elektronski opremi in z njenim izvajanjem v nacionalni zakonodaji je treba električna orodja ob koncu njihove življenjske dobe ločeno zbirati in jih predati v postopek okolju prijaznega recikliranja.</p>
<p>HU</p> 	<p>Csak EU-országok számára. Az elektromos kéziszerszámokat ne dobja a háztartási szeméttel! A használt villamos és elektronikai készülékekről szóló 2012/19/EU irányelv és annak a nemzeti jogba való átültetése szerint az elhasznált elektromos kéziszerszámokat külön kell gyűjteni, és környezetbarát módon újra kell hasznosítani.</p>
<p>HR</p> 	<p>Samo za EU-države. Električne alate ne odlažite u kućne otpatke! Prema Europskoj direktivi 2012/19/EU o starim električnim i elektroničkim strojevima i usklađivanju s hrvatskim pravom istrošeni električni alati moraju se sakupljati odvojeno i odvesti u pogon za reciklažu.</p>
<p>CZ</p> 	<p>Jen pro státy EU. Elektrické nářadí nevyhazujte do komunálního odpadu! Podle evropské směrnice 2012/19/EU o nakládání s použitými elektrickými a elektronickými zařízeními a odpovídajících ustanovení právních předpisů jednotlivých zemí se použítá elektrická nářadí musí sbírat odděleně od ostatního odpadu a podrobit ekologicky šetrnému recyklování.</p>
<p>PL</p> 	<p>Tylko dla państw UE. Proszę nie wyrzucać elektronarzędzi wraz z odpadami domowymi! Zgodnie z europejską Dyrektywą 2012/19/EU dot. zużytego sprzętu elektrycznego i elektronicznego oraz odpowiednikiem w prawie narodowym zużyte elektronarzędzia muszą być oddzielnie zbierane i wprowadzane do ponownego użytku w sposób nieszkodliwy dla środowiska.</p>
<p>RO</p> 	<p>Numai pentru țările din UE. Nu aruncați echipamentele electrice la fel ca reziduurile menajere! Conform Directivei Europene 2012/19/EU privitoare la echipamente electrice și electronice scoase din uz și în conformitate cu legile naționale, echipamentele electrice care au ajuns la finalul duratei de viață trebuie să fie colectate separat și trebuie să fie preluate unei unități de reciclare.</p>
<p>EE</p> 	<p>Kehtib vaid EL maade suhtes. Ärge kasutage elektritööriistu koos majapidamisjätmetega! Vastavalt EU direktiivile 2012/19/EU elektri- ja elektroonikaseadmete jäätmete osas ja kooskõlas igas riigis kehtivate seadustega, kehtib kohustus koguda kasutatud elektritööriistad eraldi kokku ja suunata need keskkonnasõbralikku taasinglusesse.</p>
<p>LV</p> 	<p>Tikai attiecībā uz ES valstīm. Neutilizējiet elektriskās ierīces kopā ar sadzīves atkritumiem! Pagal Eiropas Direktīvu 2012/19/EU par elektrisko un elektronisko iekārtu atkritumiem un tās ieviešanu saskaņā ar nacionālo likumdošanu, elektriskās ierīces, kas nokalpojušas savu mūžu, ir jāsavāc dalīti un jāatgriež videi draudzīgās pārstrādes vietās.</p>
<p>LT</p> 	<p>Tik ES šalims. Nemesti elektros prietaisų kartu su kitomis namų ūkio atliekomis! Pagal Europos Sąjungos direktyvą 2012/19/EU dėl elektros ir elektroninės įrangos atliekų ir jos vykdymo pagal nacionalinius įstatymus elektros įrankius, kurių tinkamumo naudoti laikas pasibaigė, reikia surinkti atskirai ir perduoti aplinkai nekenksmingo pakartotinio perdavimo įmonei.</p>
<p>IS</p> 	<p>Aðeins fyrir lönd ESB: Ekki henda rafmagnstækjum með heimilisúrgang! Í fylgni við evrópsku tilskipunina 2012/19/EU um fargaðan rafbúnað og rafrænan búnað og framkvæmd þess í samræmi við innlend lög, verða rafmagnstæki sem úr sér gengin.</p>











Explanation of the symbols on the equipment

	<p>(GB)</p>	<p>Warning! Danger to life, risk of injury or damage to the tool are possible by ignoring!.</p>
	<p>(GB)</p>	<p>Caution - Read the operating instructions to reduce the risk of inquiry</p>
	<p>(GB)</p>	<p>Wear safety goggles!</p>
	<p>(GB)</p>	<p>Wear ear-muffs!</p>
	<p>(GB)</p>	<p>Wear a breathing mask!</p>
	<p>(GB)</p>	<p>Important! Risk of injury. Never reach into the running saw blade!</p>
	<p>(GB)</p>	<p>protection class II</p>

1. Introduction

MANUFACTURER:

scheppach
 Fabrikation von Holzbearbeitungsmaschine GmbH
 Günzburger Straße 69
 D-89335 Ichenhausen

DEAR CUSTOMER,

We hope your new tool brings you much enjoyment and success.

NOTE:

According to the applicable product liability laws, the manufacturer of the device does not assume liability for damages to the product or damages caused by the product that occurs due to:

- Improper handling,
- Non-compliance of the operating instructions,
- Repairs by third parties, not by authorized service technicians,
- Installation and replacement of non-original spare parts,
- Application other than specified,
- A breakdown of the electrical system that occurs due to the non-compliance of the electric regulations and VDE regulations 0100, DIN 57113 / VDE0113.

WE RECOMMEND:

Read through the complete text in the operating instructions before installing and commissioning the device. The operating instructions are intended to help the user to become familiar with the machine and take advantage of its application possibilities in accordance with the recommendations. The operating instructions contain important information on how to operate the machine safely, professionally and economically, how to avoid danger, costly repairs, reduce downtimes and how to increase reliability and service life of the machine.

In addition to the safety regulations in the operating instructions, you have to meet the applicable regulations that apply for the operation of the machine in your country. Keep the operating instructions package with the machine at all times and store it in a plastic cover to protect it from dirt and moisture. Read the instruction manual each time before operating the machine and carefully follow its information. The machine can only be operated by persons who were instructed concerning the operation of the machine and who are informed about the associated dangers. The minimum age requirement must be complied with. In addition to the safety requirements in these operating instructions and your country's applicable regulations, you should observe the generally recognized technical rules concerning the operation of woodworking machines.

2. Device Description (Abb.1-4)

1. Saw bench
2. Bench insert
3. Saw blade
4. Saw blade guard
5. Suction hose
6. Riving knife
7. Transverse stop
8. Bench extension
9. Push stick
10. Underframe
11. On/Off switch
12. Hand wheel
13. Locking handle
14. Guide rail
15. Rip fence
16. Legs
- 16a Rubber feet
- 16b Support frame
17. Long crossbar
18. Short centre brace
19. Hexagon head bolt
20. Hexagon head nut
21. Saw blade spanner
- 21a Spring ring
- 21b Washer
22. Support strut

3. Unpacking

- Open the packaging and remove the device carefully.
- Remove the packaging material as well as the packaging and transport bracing (if available).
- Check that the delivery is complete.
- Check the device and accessory parts for transport damage.
- If possible, store the packaging until the warranty period has expired.

ATTENTION

The device and packaging materials are not toys! Children must not be allowed to play with plastic bags, film and small parts! There is a risk of swallowing and suffocation!

4. Intended use

The bench-type circular saw is designed for the slitting and cross-cutting of all types of timber, commensurate with the machine's size.

The machine is not to be used for cutting any type of roundwood.

The machine is to be used only for its prescribed purpose. Any use other than that mentioned is considered to be a case of misuse. The user/operator and not the manufacturer shall be liable for any damage or injury resulting such cases of misuse.

The machine is to be operated only with suitable saw blades. It is prohibited to use any type of cutting-off wheel. To use the machine properly you must also observe the safety regulations, the assembly instructions and the operating instructions to be found in this manual. All persons who use and service the machine have to be acquainted with this manual and must be informed about its potential hazards. It is also imperative to observe the accident prevention regulations in force in your area. The same applies for the general rules of occupational health and safety.

△ Important!

When using the equipment, a few safety precautions must be observed to avoid injuries and damage. Please read the complete operating instructions and safety regulations with due care. Keep this manual in a safe place, so that the information is available at all times. If you give the equipment to any other person, hand over these operating instructions and safety regulations as well. We cannot accept any liability for damage or accidents which arise due to a failure to follow these instructions and the safety instructions.

The manufacturer shall not be liable for any changes made to the machine nor for any damage resulting from such changes.

Even when the machine is used as prescribed it is still impossible to eliminate certain residual risk factors.

The following hazards may arise in connection with the machine's construction and design:

- Contact with the saw blade in the uncovered saw zone.
- Reaching into the running saw blade (cut injuries).
- Kick-back of workpieces and parts of workpieces
- Saw blade fracturing.
- Catapulting of faulty carbide tips from the saw blade.
- Damage to hearing if essential ear-muffs are not worn.
- Harmful emissions of wood dust when the machine is used in closed rooms.

Please note that our equipment has not been designed for use in commercial, trade or industrial applications. Our warranty will be voided if the machine is used in commercial, trade or industrial businesses or for equivalent purposes.

5. Safety information

△ Attention! The following basic safety measures must be observed when using electric tools for protection against electric shock, and the risk of injury and fire. Read all these notices before using the electric tool and keep the safety instructions for later reference.

Safe work

- 1 Keep the work area orderly**
 - Disorder in the work area can lead to accidents.
- 2 Take environmental influences into account**
 - Do not expose electric tools to rain.
 - Do not use electric tools in a damp or wet environment.
 - Make sure that the work area is well-illuminated.
 - Do not use electric tools where there is a risk of fire or explosion.
- 3 Protect yourself from electric shock**
 - Avoid physical contact with earthed parts (e.g. pipes, radiators, electric ranges, cooling units).
- 4 Keep children away**
 - Do not allow other persons to touch the equipment or cable, keep them away from your work area.
- 5 Securely store unused electric tools**
 - Unused electric tools should be stored in a dry, elevated or closed location out of the reach of children.
- 6 Do not overload your electric tool**
 - They work better and more safely in the specified output range.
- 7 Use the correct electric tool**
 - Do not use low-output electric tools for heavy work.
 - Do not use the electric tool for purposes for which it is not intended. For example, do not use hand-held circular saws for the cutting of branches or logs.
 - Do not use the electric tool to cut firewood.

8 Wear suitable clothing

- Do not wear wide clothing or jewellery, which can become entangled in moving parts.
- When working outdoors, anti-slip footwear is recommended.
- Tie long hair back in a hair net.

9 Use protective equipment

- Wear protective goggles.
- Wear a mask when carrying out dust-creating work.

10 Connect the dust extraction device if you will be processing wood, materials similar to wood, or plastics.

- If connections for dust extraction and a collecting device are present, make sure that they are connected and used properly.
- When processing wood, materials similar to wood, and plastics. operation in enclosed spaces is only permitted with the use of a suitable extraction system.

11 Secure the workpiece

- Use the clamping devices or a vice to hold the workpiece in place. In this manner, it is held more securely than with your hand.
- An additional support is necessary for long workpieces (table, trestle, etc.) in order to prevent the machine from tipping over.
- Always press the workpiece firmly against the working plate and stop in order to prevent bouncing and twisting of the workpiece.

12 Avoid abnormal posture

- Make sure that you have secure footing and always maintain your balance.
- Avoid awkward hand positions in which a sudden slip could cause one or both hands to come into contact with the saw blade.

13 Take care of your tools

- Keep cutting tools sharp and clean in order to be able to work better and more safely.
- Follow the instructions for lubrication and for tool replacement.
- Check the connection cable of the electric tool regularly and have it replaced by a recognised specialist when damaged.
- Check extension cables regularly and replace them when damaged.
- Keep the handle dry, clean and free of oil and grease.

14 Pull the plug out of the outlet

- Never remove loose splinters, chips or jammed wood pieces from the running saw blade.
- During non-use of the electric tool or prior to maintenance and when replacing tools such as saw blades, bits, milling heads.
- When the saw blade is blocked due to abnormal feed force during cutting, turn the machine off and disconnect it from power supply. Remove the work piece and ensure that the saw blade runs free. Turn the machine on and start new cutting operation with reduced feed force.

15 Do not leave a tool key inserted

- Before switching on, make sure that keys and adjusting tools are removed.

16 Avoid inadvertent starting

- Make sure that the switch is switched off when plugging the plug into an outlet.

17 Use extension cables for outdoors

- Only use approved and appropriately identified extension cables for use outdoors.
- Only use cable reels in the unrolled state.

18 Remain attentive

- Pay attention to what you are doing. Remain sensible when working. Do not use the electric tool when you are distracted.

19 Check the electric tool for potential damage

- Protective devices and other parts must be carefully inspected to ensure that they are fault-free and function as intended prior to continued use of the electric tool.
- Check whether the moving parts function faultlessly and do not jam or whether parts are damaged. All parts must be correctly mounted and all conditions must be fulfilled to ensure fault-free operation of the electric tool.
- The moving protective hood may not be fixed in the open position.
- Damaged protective devices and parts must be properly repaired or replaced by a recognised workshop, insofar as nothing different is specified in the operating manual.
- Damaged switches must be replaced at a customer service workshop.

- Do not use any faulty or damaged connection cables.
- Do not use any electric tool on which the switch cannot be switched on and off.

20 ATTENTION!

- Exercise elevated caution for double mitre cuts.

21 ATTENTION!

- The use of other insertion tools and other accessories can entail a risk of injury.

22 Have your electric tool repaired by a qualified electrician

- This electric tool conforms to the applicable safety regulations. Repairs may only be performed by an electrician using original spare parts. Otherwise accidents can occur.

23 Do not use the cable for purposes for which it is not intended

- Do not use the cable to pull the plug out of the outlet. Protect the cable from heat, oil and sharp edges.

ADDITIONAL SAFETY INSTRUCTIONS

1 Safety precautions

- **Warning!** Do not use damaged, cracked or deformed saw blades.
- Replace a worn table insert.
- Only use saw blades recommended by the manufacturer which conform to EN 847-1.
 - △ **Warning!** Keep attention When changing the saw blade. The cutting width is not smaller and the main blade thickness of the saw blade is not greater than the thickness of the gap wedge!
- Make sure that a suitable saw blade for the material to be cut is selected.
- Wear suitable personal protective equipment. This includes:
 - Hearing protection to avoid the risk of becoming hearing impaired,
 - Respiratory protection to avoid the risk of inhaling harmful dust,
- Wear gloves when handling saw blades and rough materials.
- Carry saw blades in a container whenever practical.
- Wear goggles. Sparks generated during work or splinters, chippings and dust coming from the device can lead to loss of eyesight.
- Connect a dust collecting device to the electric tool when sawing wood. The emission of dust is influenced, among other things, by the type of material to be processed, the significance of local separation (collection or source) and the correct setting of the hood/guide plates/guides.

- Do not use saw blades made of high-speed alloy steel (HSS steel).
- In times of non-use keep the push stick or the push block with the electrical power tool in its holder at all times.

2 Maintenance and repair

- Pull out the mains plug for any adjustment or repair tasks.
- The generation of noise is influenced by various factors, including the characteristics of saw blades, condition of saw blade and electric tool. Use saw blades which were designed for reduced noise development, insofar as possible. Maintain the electric tool and tool attachments regularly and if necessary, initiate repairs in order to reduce noise.

- Report faults on the electric tool, protective devices or the tool attachment to the person responsible for safety as soon as they are discovered.

3 Safe work

- Use the push stick or handle with sliding wood, to pass the workpiece securely out off the saw blade.
- Make sure that the riving knife is always used, and set up is correctly.
- Use the upper blade guard and set it to the correct position.
- Only use saw blades for which the maximum permissible speed is not lower than the maximum spindle speed of table saws and which are suitable for the material to be cut.
- Do not cut rebates or grooves without fitting a suitable guard, e.g. a tunnel-type guard, over the saw table.
- Circular saws must not be used for slotting jobs (cutting grooves which end in the workpiece).
- When transporting the electric tool, only use the transport devices. Never use the protective devices for handling or transport.
- Make sure that the upper part of the saw blade is covered during transport, e.g. by the protective device.
- Be sure to only use spacers and spindle rings specified by the manufacturer as suitable for the intended purpose.
- The floor around the machine must be level, clean and free of loose particles, such as chips and cutting residues.
- Always stand to the side of the saw blade when working with the saw.
- Do not remove any cutting residues or other parts of workpieces from the cutting zone while the machine is running and the saw unit is not at rest.
- Make sure that the machine is always secured on a workbench or a table if at all possible.
- Support long workpieces (e.g. with a roller table) to prevent them sagging at the end of a cut.
- △ **Attention!** Never remove loose splinters, chips or jammed pieces of wood while the saw blade is running.
 - Switch off the machine to troubleshoot or remove jammed pieces of wood. - **Disconnect the main power plug** -
 - Refitting, including adjusting and measuring works, and cleaning must be carried out only when the motor is switched off. - **Disconnect the main power plug** -
 - Before switching on again, ensure that keys and adjustment tools have been removed.

Warning! This electric tool generates an electromagnetic field during operation. This field can impair active or passive medical implants under certain conditions. In order to prevent the risk of serious or deadly injuries, we recommend that persons with medical implants consult with their physician and the manufacturer of the medical implant prior to operating the electric tool.

SAFETY INSTRUCTIONS FOR THE HANDLING OF SAW BLADES

- 1 Only use insertion tools if you have mastered their use.
- 2 Observe the maximum speed. The maximum speed specified on the insertion tool may not be exceeded. If specified, observe the speed range.
- 3 Observe the motor / saw blade direction of rotation.
- 4 Do not use any insertion tools with cracks. Sort out cracked insertion tools. Repairs are not permitted.
- 5 Clean grease, oil and water off of the clamping surfaces.
- 6 Do not use any loose reducing rings or bushes for the reducing of holes on saw blades.
- 7 Make sure that fixed reducer rings for securing the insertion tool have the same diameter and have at least 1/3 of the cutting diameter.
- 8 Make sure that fixed reducer rings are parallel to each other.
- 9 Handle insertion tool with caution. They are ideally stored in the originally package or special containers. Wear protective gloves in order to improve grip and to further reduce the risk of injury.
- 10 Prior to the use of insertion tools, make sure that all protective devices are properly fastened.
- 11 Prior to use, make sure that the insertion tool meets the technical requirements of this electric tool and is properly fastened.
- 12 Only use the supplied saw blade for sawing operations in wood, materials similar to wood, plastics and non-ferrous metals (except for magnesium and alloys containing magnesium).

Residual risks

The machine has been built according to the state of the art and the recognised technical safety requirements. However, individual residual risks can arise during operation.

- Health hazard due to electrical power, with the use of improper electrical connection cables.
- Furthermore, despite all precautions having been met, some non-obvious residual risks may still remain.
- Residual risks can be minimised if the „safety instructions“ and the „Proper use“ are observed along with the whole of the operating instructions.
- Do not load the machine unnecessarily: excessive pressure when sawing will quickly damage the saw blade, which results in reduced output of the machine in the processing and in cut precision.
- When cutting plastic material, please always use clamps: the parts which should be cut must always be fixed between the clamps.
- Avoid accidental starting of the machine: the operating button may not be pressed when inserting the plug in an outlet.
- Use the tool that is recommended in this manual. In doing so, your saw provides optimal performance.
- Hands may never enter the processing zone when the machine is in operation. Release the handle button and switch off the machine prior to any operations.
- Prior to any adjustment, maintenance or service work disconnect the mains power plug!

6. Technical Data

AC motor	220-240 V~ 50Hz
performance	2000 Watt
operating mode	S6 25%*
Idle speed	5000 min ⁻¹
Hard-metal blade	ø 250 x ø 30 x 2,8 mm
Number of teeth	24
Thickness riving knife	2 mm
table size	940 x 642 mm
Cutting height max. 90°	85 mm
Cutting height max. 45°	65 mm
height adjustment	0 - 85 mm
saw blade swivel	0 - 45°
suction port	ø 35 mm
weight	20,0 kg

* **operating mode S6 25%:** Continuous operation with intermittent loading (playing time 10 min).

Engine protection of to hot warming up:

It's allowed to run the engine with nominal power maximum 25% of playing time. After this the machine must run 75% of playing time steadily without load.

Noise values

The total noise values determined in accordance with EN 61029.

sound pressure level L_{pA}	91,0 dB(A)
uncertainty K_{pA}	3 dB
sound power level L_{WA}	104,0 dB(A)
uncertainty K_{WA}	3 dB

Wear hearing protection.

The effects of noise can cause a loss of hearing. Total vibration values (vector sum - three directions) determined in accordance with EN 61029.

7. Before starting the equipment

- The equipment must be set up where it can stand securely.
- All covers and safety devices have to be properly fitted before the equipment is switched on.
- It must be possible for the blade to run freely.
- When working with wood that has been processed before, watch out for foreign bodies such as nails or screws, etc.
- Before you press the ON/OFF switch check that the saw blade is fitted correctly. Moving parts must run smoothly.
- Before you connect the equipment to the power supply make sure the data on the rating plate are identical to the mains data.
- Connect the machine to a properly installed protective contact socket, with at least 16A circuit breaker.

8. Attachment

Important. Pull out the power plug before carrying out any maintenance, resetting or assembly work on the circular saw!

Place all parts supplied on a flat surface. Grouping equal parts.

Note: If compounds with a bolt (round head / or hexagon), hex nuts and washers are backed up, the washer must be fitted under the nut.

Insert screws each from outside to inside. Secure connections with nuts on the inside.

Note: Tighten the nuts and bolts during assembly only to the extent that they can not fall down.

If you tighten the nuts and bolts prior to final assembly, final assembly can not be performed.

8.1 Mounting the bench extension (fig. 5)

1. Turn the saw and place it on the floor with the bench facing down.
2. Align the bench extension (8) flush with the saw bench (1).
3. Push table extension (8) onto the sawing table (1) using the hex bolts (19) and loosely fasten the spring washers (20a), washers (20b) and hex nuts (20). Repeat for the opposite side.
4. Screw the support struts (22) to the table extensions (8) with the hex bolts (19), spring washer (20a), and washers (20b).
5. Subsequently, tighten all screws.

8.2 Mounting rack (figs. 6-7)

1. Screw the four support legs (18) together with the support struts (22) onto the saw with the hex bolts (19), the spring rings (20a) and the washers (20b) (fig. 6). For this use the saw blade key (21a), part of the delivery contents (fig. 6).
2. Now place the rubber feet (16a) onto the support legs (16) (fig. 6.1).
3. Now, screw the long centre brace (18) and the short centre brace (17) onto the legs (16) using the hexagon head bolts (19) and the hexagon head nuts (20). **Make sure that the same braces face each other. The long centre braces (18 - marked „B“) must be mounted parallel to the operator's side of the saw. (Fig. 7).**
4. Using two hex bolts (19) on each, loosely secure the spring washers (20a), washers (20b) and hex nuts (20) at the drill holes of the rear support legs of the support frame (16b) (fig. 7.1).

Attention!

Both support frames must be fastened to the back of the machine!

5. Then, tighten all the nuts and bolts of the under-frame.

8.3 Setting / mounting the riving knife (figs. 8-10)

⚠ **The setting Caution! Pull out the main plug!**

The setting of the riving knife (6) must be checked prior to commissioning. of the riving knife (6) must be checked prior to commissioning.

1. Set the saw blade (3) to the max. cutting depth, bring it to the 0° position and lock it.
2. Unfasten the bolt (23) from the bench insert (2) using a Phillips screwdriver, and remove bench insert (22) (fig.8).
3. The distance between the saw blade (3) and the riving knife (6) must be max. 5 mm. (Fig. 9)

4. Loosen the mounting bolt (24) in order to pull out the splitting wedge (6) until the right distance is adjusted (fig. 10).
5. Tighten the mounting screw (24) again and mount the bench insert (2).

8.4 Mounting / dismantling the saw blade guard (figs. 11-12)

1. Mount the saw blade guard (6) together with the bolt (25) on top of the riving knife (6), so that the bolt is firmly seated in the slot of the riving knife (6).
2. Do not screw in the bolt (25) too tightly; the saw blade guard (6) must move freely.
3. Plug the suction hose (5) onto the suction adapter (26) and the connecting piece of the saw blade guard (4). Connect a suitable splint collector onto the suction adapter (26).
4. Disassembly is performed in reverse order.

Caution!

The saw blade guard (4) must be lowered onto the workpiece before starting the sawing operation.

8.5 Replacing the bench insert (fig. 8)

1. In case of wear or damage, the bench insert (2) must be replaced; otherwise, there is an increased risk of injury.
2. Unfasten the bolt (23) using a Phillips screwdriver.
3. Take out the worn bench insert (2).
4. The installation of the new bench insert is done in reverse order.

8.6 Installing / replacing the saw blade (fig. 13)

1. **Caution! Pull out the main plug and wear safety gloves.**
2. Dismount the saw blade guard (4) (see 8.4)
3. Remove the bench insert (2) (see 8.5)
4. Loosen the nut by placing a saw blade spanner (21a) on the nut while holding up another saw blade spanner (21b) on the motor shaft (see fig. 22).
5. **Caution!** Turn the nut in the direction of rotation of the saw blade.
6. Remove the outer flange and remove the old blade inner flange.
7. Clean the saw blade flange thoroughly with a wire brush before mounting the new saw blade.
8. Insert the new saw blade in reverse order and tighten.
Caution! Note the direction of run, the cutting slope of the teeth must be in the direction of run, i.e. facing forward.
9. Remount and adjust the bench insert (2) and saw blade guard (4) (see 8.4 and 8.5)
10. Before you start working again with the saw, check proper functioning of the safety equipment.

9. Using the saw

9.1 On/Off switch (Fig. 14)

- The saw can be switched on by pressing the green pushbutton „I“. (11)
- The red pushbutton „0“ (11) has to be pressed to switch off the saw.

9.2 Cutting depth (Fig. 14)

Turn the round handle (12) to set the blade (3) to the required cutting depth.

- Anticlockwise: smaller cutting depth
- Clockwise: larger cutting depth

After each new adjustment it is advisable to carry out a trial cut in order to check the set dimensions.

9.3 Setting the angle (Fig. 14)

With the table saw you can make diagonal cuts to the left oriented to the stop bar from 0° to 45°.

⚠ Check before each cut, that between the stop bar (e), cross-stop (13) and the saw blade (5) a collision is not possible.

- Undo the fixing handle (13).
- Set the desired angle on the scale by pressing and turning the hand wheel (12).
- Lock the fixing handle (13) again in the required angle position.

9.4 Working with the rip fence

9.4.1 Setting the stop height (figs. 15-16)

- The stop rail (27) of the rip fence (15) has two guide surfaces with different heights.
- Depending on the thickness of the material to be cut, the stop rail (27) as shown in fig. 16 must be used for thick material (about 25 mm workpiece thickness) and that shown in fig. 15 for thin material (less than 25 mm workpiece thickness).

9.4.2 Turning the stop rail (figs. 15-16)

- Loosen the wing nuts (28) first for rotating the stop rail (27).
- Now, the stop rail (27) can be removed from the guide rail (29) and pushed over it again using the corresponding guide.
- Tighten the wing nuts (28) again.
- The stop rail (27) can be applied to the left or right of the guide rail (29) as needed. To this end, only install the bolts from the other side of the guide rail (29).

9.4.3 Setting the cutting width (fig. 17)

- The rip fence (15) must be used for longitudinal cutting of wood parts.
- The rip fence (15) should be mounted on the right side of the saw blade (3).
- Set the rip fence (15) on top of the guide rail for rip fence (14).
- On the guide rail for rip fence (14), there are 2 scales which indicate the distance between the rip fence (15) and the saw blade (3).
- Select the appropriate scale depending on whether the stop rail (27) is rotated for processing thick or thin material:
High stop rail (thick material):
Low stop rail (thin material):
- Set the rip fence (15) to the desired level in the sight glass and fix it with the eccentric lever for the rip fence (30).

9.5 Transverse stop (fig. 18)

- Push the transverse stop (13) into a groove (31) of the saw bench.
- Loosen the handle screw (32).
- Turn the cross stop (7) until the desired angle is set. The arrow on the transverse stop is at the set angle.
- Tighten the knurled screw (32) again.
- The stop bar (34) can be moved on the transverse stop (13). Loosen the nuts (33) and push the stop rail (34) to the desired position. Tighten the nuts (34) again.

Caution!

- Do not push the stop rail (34) too far towards the saw blade.
- The distance between the stop rail (34) and saw blade (3) should be about 2 cm.

10. Operation

Working instructions

After each new adjustment it is advisable to carry out a trial cut in order to check the set dimensions. After switching on the saw, wait for the blade to reach its maximum speed of rotation before commencing with the cut.

Secure long workpieces against falling off at the end of the cut (e.g. with a roller stand etc.)

Take extra care when starting the cut!

Never use the equipment without the suction function.

Regularly check and clean the suction channels.

Suitability of the saw blades:

- 24 teeth: soft materials, large chip depth, coarse cut profile
- 48 teeth: hard materials, small chip depth, fine cut profile

10.1 Making longitudinal cuts (Figure 19)

Longitudinal cutting (also known as slitting) is when you use the saw to cut along the grain of the wood.

Press one edge of the workpiece against the parallel stop (15) while the flat side lies on the saw table (1). The blade guard (4) must always be lowered over the workpiece.

When you make a longitudinal cut, never adopt a working position that is in line with the cutting direction.

- Set the parallel stop (15) in accordance with the workpiece height and the desired width. (See 9.4)
- Switch on the saw.
- Place your hands (with fingers closed) flat on the workpiece and push the workpiece along the parallel stop (15) and into the blade (3).
- Guide at the side with your left or right hand (depending on the position of the parallel stop) only as far as the front edge of the saw blade guard (4).
- Always push the workpiece through to the end of the splitter (6).
- The offcut piece remains on the saw table (1) until the blade (3) is back in its position of rest.
- Secure long workpieces against falling off at the end of the cut (e.g. with a roller stand etc.) (e.g. roller table etc.)

10.1.1 Cutting narrow workpieces (Fig. 20)

Be sure to use a push stick (9) when making longitudinal cuts in workpieces smaller than 120 mm in width. A push block is supplied with the saw! Replace a worn or damaged push stick immediately.

- Adjust the parallel stop to the width of workpiece you require. (see 9.4)
- Feed in the workpiece with two hands. Always use the push stick (9) in the area of the saw blade.
- Always push the workpiece through to the end of the splitter.

⚠ Caution! With short workpieces, use the push stick from the beginning.

10.1.2 Making angular cuts (Fig. 21)

Angular cuts must always be made using the parallel stop (15).

- Set the blade to the desired angle. (See 9.3)
- Set the parallel stop (15) in accordance with the workpiece width and height (see 9.4)
- Carry out the cut in accordance with the workpiece width (see 10.1).

10.2 Making cross cuts (Fig. 22)

- Slide the cross stop (7) into one of the grooves (31a/b) in the table and adjust to the required angle. (see 9.5). If you also want to tilt the blade (3), use the groove (31a) which prevents your hand and the cross stop from making contact with the blade guard.
- Use the stop rail.
- Press the workpiece firmly against the cross stop (7).
- Switch on the saw.
- Push the cross stop (7) and the workpiece toward the blade in order to make the cut.
- **Important:**
Always hold the guided part of the workpiece. Never hold the part which is to be cut off.
- Push the cross stop (7) forward until the workpiece is cut all the way through.
- Switch off the saw again. Do not remove the offcut until the blade has stopped rotating.

10.3 Cutting particle boards

To prevent the cutting edges from cracking when working with particle boards, you should not set the saw blade (3) more than 5mm greater than the thickness of the workpiece (also see 9.2).

11. Transport

1. Turn off the power tool before any transport and disconnect it from the power supply.
2. Apply the power tool at least with two people, do not touch the table extensions.
3. Protect the power tool from knocks, bumps and strong vibrations, such as during transport in vehicles.
4. Secure the power tool against overturning and sliding.
5. Never use the safety devices for handling or transporting purposes.

12. Maintenance

⚠ Warning! Prior to any adjustment, maintenance or service work disconnect the mains power plug!

12.1 General maintenance measures

- Keep all safety devices, air vents and the motor housing free of dirt and dust as far as possible. Wipe the equipment with a clean cloth or blow it down with compressed air at low pressure.
- We recommend that you clean the equipment immediately after you use it.
- Clean the equipment regularly with a damp cloth and some soft soap. Do not use cleaning agents or solvents; these may be aggressive to the plastic parts in the equipment. Ensure that no water can get into the interior of the equipment.
- In order to extend the service life of the tool, oil the rotary parts once monthly. Do not oil the motor.

12.2 Brush inspection

In case of excessive sparking, have the carbon brushes checked only by a qualified electrician. Important. The carbon brushes should not be replaced by anyone but a qualified electrician.

13. Storage

Store the device and its accessories in a dark, dry and frost-proof place that is inaccessible to children. The optimum storage temperature is between 5 and 30°C. Store the electrical tool in its original packaging. Cover the electrical tool in order to protect it from dust and moisture.

When the sawblade and key are not in use, they can be stored as in fig 23.

Store the operating manual with the electrical tool.

14. Electrical connection

The electrical motor installed is connected and ready for operation. The connection complies with the applicable VDE and DIN provisions. The customer's mains connection as well as the extension cable used must also comply with these regulations.

- The product meets the requirements of EN 61000-3-11 and is subject to special connection conditions. This means that use of the product at any freely selectable connection point is not allowed.
- Given unfavorable conditions in the power supply the product can cause the voltage to fluctuate temporarily.
- The product is exclusively intended for use at connection points that have a continuous current-carrying capacity of at least 100 Amper phase.
- As the user, you are required to ensure, in consultation with your electric power company if necessary, that the connection point at which you wish to operate the product meets the specified requirements.

Important information

In the event of an overloading the motor will switch itself off. After a cool-down period (time varies) the motor can be switched back on again.

Damaged electrical connection cable

The insulation on electrical connection cables is often damaged.

This may have the following causes:

- Passage points, where connection cables are passed through windows or doors.
- Kinks where the connection cable has been improperly fastened or routed.
- Places where the connection cables have been cut due to being driven over.
- Insulation damage due to being ripped out of the wall outlet.
- Cracks due to the insulation ageing.

Such damaged electrical connection cables must not be used and are life-threatening due to the insulation damage.

Check the electrical connection cables for damage regularly. Make sure that the connection cable does not hang on the power network during the inspection.

Electrical connection cables must comply with the applicable VDE and DIN provisions. Only use connection cables with the marking „H05VV-F“.

The printing of the type designation on the connection cable is mandatory.

AC motor

- The mains voltage must be 230 V~
- Extension cables up to 25 m long must have a cross-section of 1.5 mm².

Connections and repairs of electrical equipment may only be carried out by an electrician.

Please provide the following information in the event of any enquiries:

Type of current for the motor

- Machine data - type plate
- Machine data - type plate

15. Troubleshooting

Problem	Possible Cause	Help
Saw blade gets loose after turning off the motor	Fastening nut tightened insufficiently	Tighten fastening nut, M20 left-handed thread
Motor does not start	<ul style="list-style-type: none"> a) Fastening nut tightened insufficiently b) Extension cable defect c) Connections on the motor or switch defect 	<ul style="list-style-type: none"> a) Check the mains fuse. b) See "Electrical Connection" in the operating manual c) Have it checked by an electrician
No motor output turns off automatically	Overload by dull saw blade, thermoprotection is triggered	Insert a sharpened saw blade; motor can be turned on again after the cooling period
<ul style="list-style-type: none"> Burns on the cutting surface c) with longitudinal cuts d) with cross cuts 	<ul style="list-style-type: none"> a) Fastening nut tightened insufficiently b) Wrong saw blade c) Longitudinal stop not parallel d) Slide carriage not parallel 	<ul style="list-style-type: none"> a) Insert a sharpened saw blade b) Insert saw blade with 20 or 28 teeth for longitudinal cuts c) Exchange the longitudinal stop <p>Align the slide carriage with the saw blade</p>

Vysvětlení symbolů na přístroji

	<p>(CZ)</p>	<p>Pozor! Možná za nedodržení Nebezpečí ohrožení života, riziko zranění nebo poškození náradí!</p>
	<p>(CZ)</p>	<p>Před uvedením do provozu si přečtěte a dodržujte návod k obsluze a bezpečnostní pokyny.</p>
	<p>(CZ)</p>	<p>Noste ochranné brýle!</p>
	<p>(CZ)</p>	<p>Noste ochranná sluchátka!</p>
	<p>(CZ)</p>	<p>Bude-li se při práci prášit, noste ochranu dýchacích cest!</p>
	<p>(CZ)</p>	<p>Pozor! Nebezpečí poranění! Nedotýkejte se pilového listu v provozu!</p>
	<p>(CZ)</p>	<p>třída ochrany II</p>

1. Úvod

VÝROBCE:

scheppach

Fabrikation von Holzbearbeitungsmaschinen GmbH
Günzburger Straße 69
D-89335 Ichenhausen

VÁŽENÝ ZÁKAZNÍKU,

přejeme Vám hodně radosti a úspěchů při práci s Vaším novým přístrojem.

POZNÁMKA:

V souladu s platnými zákony, které se týkají odpovědnosti za výrobek, výrobce zařízení nepřebírá odpovědnost za poškození výrobku nebo za škody způsobené výrobkem, ke kterým z následujících důvodů:

- Nesprávná manipulace.
- Nedodržení pokynů pro obsluhu.
- Opravy prováděné třetí stranou, opravy neprováděné v autorizovaném servisu.
- Montáž neoriginálních dílů nebo použití neoriginálních dílů při výměně.
- Jiné než specifikované použití.
- Porucha elektrického systému, která byla způsobena nedodržením elektrických předpisů a předpisů VDE 0100, DIN 57113, VDE0113.

DOPORUČUJEME:

Před montáží a obsluhou tohoto zařízení si přečtěte kompletní text v návodu k obsluze. Pokyny pro obsluhu jsou určeny k tomu, aby se uživatel seznámil s tímto zařízením a aby při jeho použití využil všech jeho možností v souladu s uvedenými doporučeními. Tento návod k obsluze obsahuje důležité informace o tom, jak provádět bezpečnou, profesionální a hospodárnou obsluhu stroje, jak se zabránit rizikům, jak ušetřit náklady na opravy, jak zkrátit doby prostojů a jak zvýšit spolehlivost a prodloužit provozní životnost stroje. Mimo bezpečnostních předpisů uvedených v návodu k obsluze musíte dodržovat také platné předpisy, které se týkají provozu stroje ve vaší zemi.

Uchovávejte návod k obsluze stále v blízkosti stroje a uložte jej do plastového obalu, aby byl chráněn před nečistotami a vlhkostí. Přečtěte si návod k obsluze před každým použitím stroje a pečlivě dodržujte v něm uvedené informace. Stroj mohou obsluhovat pouze osoby, které byly řádně proškoleny v jeho obsluze a které byly řádně informovány o rizicích spojených s jeho obsluhou. Při obsluze stroje musí být splněn stanovený minimální věk.

Nepřebíráme žádnou záruku za nehody nebo škody způsobené nedodržením tohoto návodu a bezpečnostních pokynů.

2. Popis stroje (obr. 1-4)

1. Stůl pily
2. Stolní vložka
3. Pilový kotouč
4. Chránič pilového kotouče
5. Odsávací hadice
6. Rozrážecí klín
7. Příčný doraz
8. Rozšíření stolu
9. Posuvný blok
10. Podstavec
11. Spínač, vypínač
12. Ruční kolečko
13. Aretační rukojeť
14. Vodicí lišta
15. Paralelní doraz
16. Nožky
- 16a Gumové nožky
- 16b Stojací rameno
17. Střední výztuhy, dlouhé
18. Střední výztuhy, krátké
19. Šestihranný šroub
20. Šestihranná matice
21. Klíč na pilový kotouč
- 21a Pružný kroužek
- 21b Podložka
22. Výztuhy

3. Rozsah dodávky

- Otevřete balení a opatrně vyjměte přístroj.
- Odstraňte materiál obalu a obalové a přepravní pojistky (pokud je jimi výrobek opatřen).
- Zkontrolujte, zda je obsah dodávky úplný.
- Zkontrolujte přístroj a díly příslušenství, zda se při přepravě nepoškodily.
- Uchovejte obal dle možností až do uplynutí záruční doby.

POZOR

Přístroj a obalové materiály nejsou hračka! Dětem nepatří do rukou plastické sáčky, fólie ani drobné součástky! Hrozí nebezpečí jejich spolknutí a udušení!

4. Použití podle účelu určení

Stolní kotoučová pila slouží k podélnému a příčnému řezání (pouze s příčným dorazem) dřeva všeho druhu, odpovídajících velikostí stroje. Kulatina všeho druhu nesmí být řezána. Přístroj smí být používán pouze podle svého účelu určení.

Každé další, toto překračující použití, neodpovídá použití podle účelu určení. Za z toho vyplývající škody nebo zranění všeho druhu ručí uživatel/obsluhující osoba a ne výrobce.

Používat se smí pouze pro stroj vhodné pilové kotouče (pilové kotouče z tvrdokovu nebo CV).

Použití pilových kotoučů z vysoce výkonné rychlořezné oceli (HSS) a dělicích kotoučů všech druhů je zakázáno. Součástí použití podle účelu určení je také dbát bezpečnostních pokynů, tak jako návodu k montáži a provozních pokynů v návodu k obsluze. Osoby, které stroj obsluhují a udržují, musí být s tímto seznámeny a

být poučeny o možných nebezpečích. Kromě toho musí být co nejpřísněji dodržovány platné předpisy k předcházení úrazům. Dále je třeba dodržovat ostatní všeobecná pravidla v pracovních a bezpečnostně technických oblastech.

⚠ Pozor!

Při používání přístrojů musí být dodržována určitá bezpečnostní opatření, aby se zabránilo zraněním a škodám. Přečtěte si proto pečlivě tento návod k obsluze / bezpečnostní pokyny. Dobře si ho/je uložte, abyste měli tyto informace kdykoliv po ruce. Pokud předáte přístroj jiným osobám, předejte s ním prosím i tento návod k obsluze / bezpečnostní pokyny. Nepřebíráme žádné ručení za škody a úrazy vzniklé v důsledku nedodržování tohoto návodu k obsluze a bezpečnostních pokynů. Změny na stroji zcela vylučují ručení výrobce a z toho vzniklé škody. I přes použití podle účelu určení nelze zcela vyloučit určité zbývající rizikové faktory. Podmíněná konstrukcí a uspořádáním stroje se mohou vyskytnout následující rizika:

- Dotknutí se pilového kotouče v nezakryté části pily.
- Sáhnutí do běžícího pilového kotouče (řezné zranění)
- Zpětný vrh obrobků a jejich částí.
- Zlomení pilového kotouče.
- Vylétnutí vadných tvrdokovových částí pilového kotouče.
- Poškození sluchu při nepoužívání potřebné ochrany sluchu.
- Zdraví škodlivé emise dřevního prachu při používání v uzavřených místnostech.

⚠ Dbejte prosím na to, že naše přístroje nebyly podle svého účelu určeny konstruovány pro živnostenské, řemeslnické nebo průmyslové použití. Nepřebíráme žádné ručení, pokud je přístroj používán v živnostenských, řemeslných nebo průmyslových podnicích a při srovnatelných činnostech.

5. Důležité pokyny

⚠ **Pozor!** Při používání elektrických nástrojů musí být za účelem ochrany před zásahem elektrickým proudem a nebezpečí zranění a požáru dodržována následující základní bezpečnostní opatření. Před použitím tohoto elektrického nástroje si přečtěte všechny tyto pokyny a bezpečnostní pokyny dobře uschovejte.

Bezpečná práce

1 Udržujte Vaše pracoviště v pořádku

- Nepořádek na pracovišti představuje nebezpečí úrazu.

2 Zohledněte vlivy prostředí

- Nevystavujte elektrické nářadí dešti. Nepoužívejte elektrické nářadí ve vlhkém nebo mokřem prostředí.
- Postarejte se o dobré osvětlení.
- Nepoužívejte elektrické nářadí v blízkosti hořlavých kapalin nebo plynů.
- Elektrický nástroj nepoužívejte, hrozí-li nebezpečí požáru nebo výbuchu.

3 Chraňte se před úderem elektrickým proudem

- Vyhýbejte se tělesnému kontaktu s uzemněnými částmi např. rourami, topnými tělesy, sporáky, ledničkami.

4 Nepouštějte do blízkosti dětí!

- Nenechte jiné osoby dotýkat se nářadí nebo kabelu, nepouštějte je na své pracoviště.

5 Nářadí uschovávejte bezpečně

- Nepoužívané nářadí musí být uloženo na suchém, uzamčeném místě a mimo dosah dětí.

6 Nářadí nepřetěžujte

- Na těžké práce nepoužívejte moc slabé nářadí nebo přídavné nářadí.

7 Používejte správné nářadí

- Nepoužívejte nářadí k účelům na práce, na které není určeno.
- Například nepoužívejte ruční kotoučovou pilu na kácení stromů nebo ořezávání větví.
- Elektrický nástroj nepoužívejte k řezání palivového dříví.

8 Noste vhodné pracovní oblečení

- Nenechte široké oblečení nebo šperky. Mohly by být zachyceny pohyblivými částmi.
- Při práci na volném prostranství jsou vhodné gumové rukavice a pevná neklouzavá obuv.
- V případě dlouhých vlasů noste vlasovou síťku.

9 Používejte ochranné pomůcky

- Noste ochranné brýle.
- Při prašných pracích používejte dýchací masku.

10 Připojte zařízení na odsávání prachu

- Pokud jsou k dispozici zařízení na připojení zařízení na odsávání prachu, přesvědčte se, zda jsou tato připojena a používána.
- Provoz v uzavřených prostorách je povolen pouze se vhodným odsávacím zařízením.

11 Obrobek zajistěte

- Na držení obrobku používejte upínací zařízení nebo svěrák. Je tak držen bezpečněji než Vaší rukou a kromě toho máte obě ruce volné na ovládání stroje.
- Budete-li opracovávat delší předměty, bude nutná podpora (stůl, podstavce atd.), aby se zabránilo překlopení stroje.
- Opracovávaný předmět vždy pevně přitiskněte proti pracovní desce a zarážce, abyste zabránili viklání, případně převrácení opracovávaného předmětu.

12 Vyhněte se nenormálnímu držení těla

- Zajistěte si bezpečnou podložku a buďte vždy v rovnováze.
- Vyhněte se nesprávným polohám rukou, kdy by se kvůli náhlému vyklouznutí mohla jedna ruka nebo obě ruce dotknout pilového listu.

13 Nářadí pečlivě ošetřujte

- Udržujte nářadí stále čisté a ostré, abyste mohli dobře a bezpečně pracovat.
- Dodržujte předpisy pro údržbu a pokyny k výměně nářad.
- Pravidelně kontrolujte zástrčku a kabel a v případě poškození je nechte obnovit autorizovaným odborníkem.
- Pravidelně kontrolujte prodlužovací kabely a poškozené nahraďte.
- Udržujte rukojeti suché a prosté oleje a tuku.

14 Vytáhněte vidlici z elektrické zásuvky

- S pilovým listem v provozu nikdy neodstraňujte třísky, hoblíny nebo upevněné dřevěné díly.
- Pokud elektrický nástroj nepoužíváte, před údržbou a při výměně nástrojů, např. pilového listu, vrtáků, fréz.

15 Nenechte zastrčené žádné klíče pro nářadí

- Před zapnutím překontrolujte, jestli jsou klíče a nastavovací nástroje odstraněny.

16 Vyhněte se neúmyslnému spuštění

- Ujistěte se, že je spínač při zasunutí vidlice do elektrické zásuvky vypnutý.

17 Venku používejte prodlužovací kabel.

- Venku používejte pouze k tomu schválené a odpovídajícím způsobem označené prodlužovací kabely.
- Navíják prodlužovacích kabelů používejte pouze s odvinutým kabelem.

18 Buďte soustředění

- Dávejte pozor na to, co se děje. Pracujte s rozumem. Elektrický nástroj nepoužívejte, jestliže se nesoustředíte.

19 Zkontrolujte nářadí, zda není poškozeno

- Před dalším použitím nářadí musí být pečlivě překontrolována bezvadná a řádná funkce ochranných zařízení nebo lehce poškozených částí.
- Překontrolujte, zda je v pořádku bezvadná funkce pohyblivých dílů, jestli neuvázly nebo jestli nejsou díly poškozeny. Všechny části musí být správně namontovány, aby byla zajištěna bezpečnost přístroje.
- Pohyblivý ochranný kryt nesmí být upínán v otevřeném stavu.
- Poškozená bezpečnostní zařízení a díly musí být řádně opraveny nebo vyměněny v dílně zákaznického servisu, pokud není v návodu k použití uvedeno jinak.
- Poškozené vypínače musí být nahrazeny v dílně zákaznického servisu.
- Nepoužívejte žádné vadné nebo poškozené přívodní kabely.
- Nepoužívejte stroje, u kterých se nedá za- a vypnout vypínač.

20 POZOR!

- Při dvojitých pokosových řezech je nařízena obzvláštní opatrnost.

21 POZOR!

- Použití jiných pracovních nástrojů nebo jiného příslušenství pro vás může znamenat nebezpečí poranění.

22 Svůj elektrický nástroj nechávejte opravovat odbornými elektrikáři.

- Toto elektrické nářadí odpovídá příslušným bezpečnostním ustanovením. Opravy smí provádět pouze odborný elektrikář; v jiném případě nelze vyloučit úrazy provozovatele.

23 Nepoužívejte kabel na účely, pro které není určen

- Nenoste nářadí za kabel a nepoužívejte ho na vytažení zástrčky ze zásuvky. Chraňte kabel před horkem, olejem a ostrými hranami.

DOPLŇUJÍCÍ BEZPEČNOSTNÍ POKYNY

1 Preventivní bezpečnostní opatření

- **⚠ Upozornění!** Deformované pilové kotouče nebo pilové kotouče s trhlinami nesmí být používány.
- Opotřebovanou stolovou vložku vyměňte.
- Používejte pouze pilové listy doporučené výrobcem, které odpovídají normě EN 847-1. **⚠ VAROVÁNÍ!** Při výměně pilového kotouče dbát na to, aby nebyla šířka řezu menší a základní tloušťka kotouče větší než tloušťka roztahovacího klínu.
- Dávejte pozor, abyste vybrali pilový list vhodný pro řezaný materiál.
- Noste vhodné osobní ochranné pomůcky. To zahrnuje:
Ochranná sluchátka pro zabránění riziku vzniku nedoslýchavosti.
Ochranu dýchacích cest pro zabránění vdechnutí nebezpečného prachu.
- Při manipulaci s pilovými listy a surovým materiálem noste rukavice.
- Vždy, když to bude prakticky možné, přenášejte pilové listy v pouzdře.
- Noste ochranné brýle. Během práce vzniklé jiskry nebo z přístroje odlétávající třísky, hobliny a prachové částice mohou způsobit ztrátu zraku.

- Při řezání dřeva připojte elektrický nástroj k zařízení na zachytávání prachu. Uvolňování prachu bude mimo jiné ovlivněno druhem zpracovávaného materiálu, významem místní separace (zachytávání nebo zdroj) a správným nastavením krytů / vodicích plátů / vodicích prvků.
- Nepoužívejte pilové listy z vysoce legované rychlořezné oceli (ocel HSS).
- Posuvná tyč nebo rukojeť pro posuvné dřevo by měly být při jejich nepoužívání uloženy vždy na přístroji.

2 Údržba a servis

- Při každém nastavení a údržbě nástroje vytáhněte síťovou vidlici ze zásuvky.
- Příčiny vzniku hluku jsou ovlivňovány různými faktory, mimo jiné kvalitou pilových listů, stavem pilového listu a elektrického nástroje. Abyste omezili hluk, používejte podle možností pilové listy, které jsou sestrojeny pro omezení hluku, pravidelně udržujte elektrický nástroj a jeho nástavce a v případě potřeby je opravte.
- Osobě odpovědné za bezpečnost hlaste závady elektrického nástroje, bezpečnostních zařízení nebo nástavce nástroje ihned poté, co se objeví.

3 Bezpečná práce

- Aby bylo možné vést obrobek bezpečně podél pilového kotouče, používat posuvnou tyč nebo rukojeť pro posuvné dřevo.
- Používat a správně nastavit roztahovací klín.
- Používat a správně nastavit horní ochranu pilového kotouče.
- Používejte pouze pilové listy, jejichž maximální povolený počet otáček nebude menší než maximální počet otáček včetně stolní kotoučové pily a které budou vhodné pro řezaný materiál.
- Polodrážky a drážky provádět pouze tehdy, když je nad stolem pily umístěno vhodné ochranné zařízení, jako např. tunelové ochranné zařízení.
- Kotoučové pily nesmí být používány na čepování (v obrobku ukončená drážka).
- Při dopravě elektrického nástroje používejte pouze dopravní prostředky. Pro manipulaci nebo dopravu nikdy nepoužívejte ochranné prostředky.
- Dávejte pozor na to, aby byla během dopravy je spodní část pilového listu zakryta, například ochranným prostředkem.
- Přitom dbejte na to, abyste používali pouze ty distanční lišty a vřetenové kroužky, které jsou vhodné pro výrobcem uvedený účel.
- Podlaha kolem stroje musí být rovná, čistá a nesmí se na ní nacházet drobné předměty, jako například hobliny a odřezky.
- Pracovní poloha vždy vedle pilového listu
- Z oblasti řezání neodstraňujte žádné odřezky ani jiné části obráběného předmětu, dokud bude stroj v chodu a dokud nebude pilový agregát v klidové pozici.
- Dávejte pozor na to, aby byl stroj, bude-li to možné, vždy připevněn na pracovní lavici nebo na stole.
- Dlouhé opracovávané předměty zajistěte na konci procesu řezání proti převrácení (např. odvíjecí rám nebo vozík).
- **⚠ Pozor!** Nikdy neodstraňujte volné odštěpky dřeva, třísky nebo uváznuté kusy dřeva při běžícím pilovém kotouči.
 - K opravení poruch nebo odstranění uváznutých kusů dřeva stroj vypnout. - **Vytáhnout síťovou zástrčku** -
 - Přestavby, stejně jako nastavení, měření a čistící práce vykonávejte jen s vypnutým motorem. - **Vytáhněte zástrčku ze sítě** -

- Před zapnutím se ujistěte, že jsou klíče a nastavovací nářadí odstraněné.

Upozornění! Tento elektrický nástroj vytváří během provozu elektromagnetické pole. To pole může za určitých podmínek ovlivňovat aktivní nebo pasivní zdravotní implantáty. Pro snížení rizika vážných nebo smrtelných úrazů doporučujeme osobám se zdravotními implantáty, aby se před obsluhou tohoto elektrického nástroje obrátily na svého lékaře nebo na výrobce zdravotního implantátu.

BEZPEČNOSTNÍ POKYNY PRO MANIPULACI S PILOVÝMI LISTY

- 1 Abyste mohli ovládat manipulaci, nasadte pouze nástavce.
- 2 Dodržujte nejvyšší počet otáček. Nesmí být překročen nejvyšší počet otáček uvedený na nástavci. Bude-li uveden, dodržujte rozsah otáček.
- 3 Dodržujte směr otáčení motoru a pilového listu.
- 4 Nepoužívejte prasklé nástavce. Prasklé nástavce vyřaďte z používání. Opravy nejsou povoleny.
- 5 Z povrchu čelistí odstraňte nečistoty, mastnotu, olej a vodu.
- 6 Pro zmenšení otvorů v listech kotoučové pily nepoužívejte žádné redukční kroužky ani vložky.
- 7 Dávejte pozor na to, aby měly redukční kroužky připevňované za účelem zajištění nástavce stejný průměr a alespoň 1/3 průřezu.
- 8 Zajistěte, aby byly připevňované redukční kroužky umístěny navzájem rovnoběžně.
- 9 S nástavci manipulujte opatrně. Nejlepším způsobem jejich uložení je originální obal nebo speciální obaly. Noste ochranné rukavice, abyste zlepšili bezpečnost úchopu a dále snížili riziko zranění.
- 10 Před použitím nástavců se ujistěte, že jsou správně připevněny všechny ochranné prostředky.
- 11 Před použitím se ujistěte, že vámi používaný nástavec splňuje technické požadavky tohoto elektrického nástroje a že je správně připevněn.
- 12 Dodávaný pilový list použijte pouze k řezání dřeva, nikdy pro obrábění kovů.

Zbytková rizika

Stroj je zkonstruován podle aktuálního stavu techniky a podle uznávaných bezpečnostně-technických norem. Přesto se mohou během práce vyskytnout jednotlivá zbytková rizika.

- Ohrožení zdraví zásahem elektrickým proudem při použití elektrických přívodních kabelů, které nebudou v pořádku.
- Kromě toho mohou přes všechna přijatá preventivní opatření vzniknout zbytková rizika, která nebudou zjevná.
- Zbytková rizika mohou být minimalizována, budete-li dodržovat jak „Bezpečnostní pokyny“, tak „Určené použití“ a pokyny k obsluze.
- Stroj nadměrně nezatěžujte: příliš silný tlak při řezání rychle poškozuje pilový list, což vede ke snížení výkonu stroje při obrábění a jeho přesnosti při řezání.
- Zabraňte náhodnému spuštění stroje: při vložení vidlice do elektrické zásuvky nesmí být stisknut hlavní spínač.
- Používejte nástroje, které jsou doporučeny v této příručce. Tím dosáhnete toho, že bude vaše pokosová pila poskytovat optimální výkon.
- Bude-li stroj v provozu, nesmíte nikdy pokládat ruce do oblasti obrábění.
- Před tím, než se pustíte do nějakých činností, uvolněte tlačítko držadla a stroj vypněte.

6. Technická data

Motor na střídavý proud	220-240 V~ 50Hz
Výkon	2000 Watt
Druh provozu	S6 25%*
Otáčky naprázdno n_0	5000 min ⁻¹
Pilový kotouč z tvrdokovu	ø 250 x ø 30 x 2,8 mm
Počet zubů	24
Hrubý štípací klín	2 mm
Velikost stolu	940 x 642 mm
Hloubka řezu max. 90°	85 mm
Hloubka řezu max. 45°	65 mm
Výškové nastavení plynule	0 - 85 mm
Rozsah výkyvu	0 - 45°
Přípojka odsávání cca	ø 35 mm
Hmotnost	20,0 kg

* Způsob provozu S6 25%: Nepřetržitý provoz s přerušovaným zatížením (doba cyklu 10 min). Aby se zabránilo nežádoucímu zahřátí motoru, musí být motor 25% doby cyklu provozovaný s uvedeným jmenovitým výkonem, a poté musí běžet 75% doby cyklu bez zatížení.

Hluk

Hluk této pily byl změřen podle normy EN 61029.

Hladina akustického tlaku L_{pA}	91,0 dB(A)
Nejistota K_{pA}	3 dB
Hladina akustického výkonu L_{WA}	104,0 dB(A)
Nejistota K_{pA}	3 dB

Noste ochranu sluchu.

Působení hluku může vést ke ztrátě sluchu. Celkové hodnoty vibrací (součet vektorů tří směrů) zjištěny podle EN 61029.

7. Před uvedením do provozu

- Stroj musí být stabilně postaven, tzn. přišroubován na pracovním stole, na univerzálním podstavci apod.
- Před uvedením do provozu musí být všechny kryty a bezpečnostní zařízení správně namontovány.
- Pilový kotouč musí být volně otočný.
- U již opracovaného dřeva dbát na cizí tělesa jako např. hřebíky nebo šrouby atd.
- Před stisknutím za-/vypínače musí být správně namontován pilový kotouč. Pohyblivé díly musí být volně pohyblivé.
- Před připojením zkontrolovat, zda údaje na datovém štítku souhlasí s údaji sítě.
- Přístroj připojte pouze na řádně instalovanou zásuvku s ochranným kolíkem, která je jištěna 16 A.

8. Montáž

Pozor! Před všemi údržbovými, přezbrojovacími a montážními pracemi na kotoučové pile vytáhnout síťovou zástrčku.

Umístěte všechny dodané díly na rovný povrch. Stejně díly seskupte.

Upozornění: Při zabezpečování spojení se šroubem (s kulatou hlavou / anebo hexagonální), šestihrannou maticí a podložkou, musí být podložka instalovaná pod maticí.

Každý šroub vložte zvenku dovnitř a spojení zabezpečte maticí zevnitř.

Upozornění: Při montáži utáhněte šrouby a matice jen do té míry, aby nemohly vypadnout.

Jakmile šrouby a matice při/utáhnete už před konečnou montáží, finální montáž není možno vykonat.

8.1 Montáž rozšíření stolu (obr. 5)

1. Otočte pilu a postavte stolem dolů na podlahu.
2. Vyrovnajte rozšíření stolu (8) do roviny se stolem pily (1).
3. Volně upevněte rozšíření stolu (8) na stole pily (1) pomocí šestihranných šroubů (19) a pružných podložek (20a), podložek (20b) a šestihranným matic (20). Opakujte postup na protilehlé straně.
4. Přišroubujte výztuhy (22) šestihrannými šrouby (19), pružným kroužkem (20a), podložkami (20b) na rozšíření stolu (8).
5. Následně všechny šrouby pevně utáhněte.

8.2 Montáž podstavce (obr. 6-7)

1. Našroubujte čtyři nožky (18) společně s výztuhami (22) a pomocí šestihranných šroubů (19), pružných podložek (20a) a podložek (20b) na pilu (obr. 6). Použijte k tomu dodávaný klíč na pilový kotouč (21a). (Obr. 6).
2. Nyní nastrčte gumové nožky (16a) na nožky (16) (obr. 6.1).
3. Nyní sešroubujte dlouhou střední výztuhu (18) a krátkou střední výztuhu (17) pomocí šestihranných šroubů (19) a šestihranných matic (20) na nožky (16). **Dbejte na to, aby se překrývaly vždy stejné výztuhy. Dlouhé střední výztuhy (18 - označeno „B“) musí být upevněny paralelně ke straně obsluhy pily. (Obr. 7).**
4. Volně upevněte stojací ramena (16b) vždy 2 šestihrannými šrouby (19), pružnými podložkami (20a), podložkami (20b) a šestihrannými maticemi (20) v otvorech v zadních nožkách. (Abb.7.1.)

Pozor!

Obě stojací ramena musí být připevněná na zadní straně stroje!

5. Následně pevně utáhněte všechny šrouby a matice podstavce.

8.3 Nastavení / montáž rozrážecího klínu (obr. 8-10)

⚠ Pozor! Vytáhněte vidlici z elektrické zásuvky! Nastavení rozrážecího klínu (6) musí být před každým uvedením do provozu prověřeno.

1. Nastavte pilový kotouč (3) na max. hloubku řezu, uveďte do polohy 0° a zaaretujte.
2. Uvolněte šroub (23) vložky stolu (2) pomocí křížového šroubováku a vyjměte vložku stolu (22) (obr. 8).
3. Vzdálenost mezi pilovým kotoučem (3) a rozrážecím klínem (6) má činit max. 5 mm. (Obr. 9).

4. Uvolněte upevňovací šroub (24) a vytáhněte rozrážecí klín (6) tak, aby byl nastavený na správnou vzdálenost (obr.10)
5. Opět pevně dotáhněte upevňovací šroub (24) a namontujte vložku stolu (2).

8.4 Montáž / demontáž chrániče pilového kotouče (obr. 11-12)

1. Chránič pilového kotouče (6) včetně šroubu (25) nasadte shora na rozrážecí klín (6) tak, aby byl šroub pevně usazen v podélném otvoru rozrážecího klínu (6).
2. Šroub (25) neutahujte příliš pevně; chránič pilového kotouče (6) musí zůstat volně pohyblivý.
3. Odsávací hadici (5) nastrčte na adaptér odsávání (26) a na nátrubek odsávání chrániče pilového kotouče (4). K adaptéru odsávání (26) připojte vhodné zařízení na odsávání pilin.
4. Demontáž probíhá v opačném pořadí.

Pozor!

Před započetím řezání musí být chránič pilového kotouče (4) snížen až na obrobek.

8.5 Výměna vložky stolu (obr. 8)

1. Při opotřebení nebo poškození vložky je nutno vyměnit vložku stolu (2), jinak hrozí zvýšené riziko zranění.
2. Vyjměte šroub (23) pomocí křížového šroubováku.
3. Vyjměte opotřebenou vložku stolu (2).
4. Montáž nové vložky stolu probíhá v opačném pořadí.

8.6 Montáž/výměna pilového kotouče (obr. 13)

1. **Pozor! Vytáhněte zástrčku ze sítě a noste ochranné rukavice.**
2. Demontujte chránič pilového kotouče (4) (viz 8.4).
3. Vyjměte vložku stolu (2) (viz 8.5)
4. Uvolněte matici tak, že nasadíte klíč pro uvolnění pilového listu (21a) na matici a podržte dalším klíčem (21b) na motorové hřídeli (viz obr. 22).
5. **Pozor! Matici otáčejte ve směru rotace pilového kotouče.**
6. Vyjměte vnější přírubu a stáhněte starý pilový kotouč z vnitřní příruby.
7. Přírubu pilového kotouče před montáží nového pilového kotouče pečlivě vyčistěte pomocí drátěného kartáče.
8. Nový pilový kotouč opět nasadte v opačném pořadí a pevně utáhněte.
Pozor! Dodržujte směr chodu, řezný sklon zubů musí ukazovat ve směru chodu, tzn. dopředu.
9. Znovu namontujte a nastavte složku stolu (2), a rovněž chránič pilového kotouče (4) (viz 8.4 a 8.5)
10. Předtím, než začnete s pilou opět pracovat, je nutno prověřit funkčnost bezpečnostních zařízení.

9. Obsluha

9.1 Za-/vypínač (Obr.14)

- Stisknutím zeleného tlačítka „I“ (11) může být pila zapnuta. Před začátkem řezání vyčkat, až pilový kotouč dosáhne svého maximálního počtu otáček.
- Navypnutí pily musí být stisknuto červené tlačítko „0“ (11).

9.2 Hloubka řezu (Obr.14)

Otáčením ručního kola (12) může být pilový kotouč (3) nastaven na požadovanou hloubku řezu.

- Proti směru hodinových ručiček: menší hloubka řezu
 - Ve směru hodinových ručiček: větší hloubka řezu
- Zkontrolujte nastavení na základě zkušebního řezu.

9.3 Nastavení úhlu (Obr.14)

Stolovou kotoučovou pilou mohou být vykonané kosé řezy vlevo od 0° - 45° k příložníku.

⚠ Před každým řezáním zkontrolujte, že mezi příložníkem, průřezovým měřidlem (13) a pilovým listem (5) nemůže dojít ke kolizi.

- Povolit zajišťovací rukojeť (13)
- Zatlačením a otáčením ručního kolečka (12) nastavte požadovaný rozměr úhlu na stupnici.
- Zajišťovací rukojeť (13) zaaretovat v požadované poloze úhlu.

9.4 Práce s paralelním dorazem

9.4.1 Nastavení výšky dorazu (obr. 15-16)

- Lišta dorazu (27) má v případě paralelního dorazu (15) dvě různé vysoké vodící plochy.
- Podle tloušťky řezaného materiálu musí být použita dorazová lišta (27) podle obr. 16 pro silnější materiál (nad 25 mm tloušťky obrobku) a podle obr. 15 pro tenčí materiál (tloušťka obrobku pod 25 mm).

9.4.2 Otáčení dorazové lišty (obr. 15-16)

- Pro otáčení dorazové lišty (27) nejdříve uvolněte křídlové matice (28).
- Nyní může být dorazová lišta (27) stažena z vodící lišty (29) a s odpovídajícím vedením opět posouvána nad ni.
- Zatáhněte znovu křídlové matice (28).
- Dorazová lišta (27) může být podle potřeby upevněna vlevo nebo vpravo od vodící lišty (29). K tomu namontujte šrouby z druhé strany vodící lišty (29)

9.4.3 Nastavení šířky řezu (obr. 17)

- Při podélných řezech dřevěných dílů musí být používán paralelní doraz (15).
- Paralelní doraz (15) by měl být namontován na pravé straně pilového kotouče (3).
- Nasadte paralelní doraz (15) shora na vodící lištu pro paralelní doraz (14).
- Na vodící liště pro paralelní doraz (14) se nacházejí 2 stupnice, které ukazují vzdálenost mezi paralelním dorazem (15) a pilovým listem (3).
- V závislosti na tom, je-li dorazová lišta (27) otáčena pro zpracování silného nebo tenkého materiálu, zvolte vhodnou stupnici:
Vysoká dorazová lišta (silnější materiál):
Nižší dorazová lišta (tenký materiál):
- Nastavte paralelní doraz (15) na požadovaný rozměr v průhledu a fixujte pomocí páky excentru pro paralelní doraz (30).

9.5 Příčný doraz (obr. 18)

- Nasuňte příčný doraz (13) do drážky (31) stolu pily.
- Uvolněte šroub madla (32).
- Otáčejte příčným dorazem (7), dokud není nastaven požadovaný rozměr úhlu. Šipka příčného dorazu ukazuje nastavený úhel.
- Opět pevně utáhněte rýhovaný šroub (32).
- Dorazová lišta (34) může být posouvána na příčném dorazu (13). K tomu uvolněte matice (33) a posuňte dorazovou lištu (34) do požadované pozice. Dotáhněte znovu matice (34).

Pozor!

- Neposouvejte dorazovou lištu (34) příliš daleko ve směru pilového kotouče.
- Vzdálenost mezi dorazovou lištou (34) a pilovým kotoučem (3) má činit max. 2 cm.

10. Provoz

Pracovní pokyny

Po každém novém nastavení doporučujeme provést zkušební řez, aby se překontrolovaly nastavené rozměry. Po zapnutí pily vyčkat, až pilový kotouč dosáhne svého maximálního počtu otáček, a teprve potom začít řezat.

Dlouhé obrobky zajistit proti přepadnutí na konci řezání (např. odvalovací stojan).

Pozor při zahajování řezu!

Přístroj provozujte pouze s odsáváním. Pravidelně kontrolujte a čistěte odsávací kanály.

Vhodnost pilových kotoučů:

- 24 zubů: měkké materiály, vysoký úběr třísky, hrubý vzhled řezu
- 48 zubů: tvrdé materiály, menší úběr třísky, jemný vzhled řezu

10.1 Provádění podélných řezů (Bild 19)

Při tomto řezu je obrobek proříznut v podélném směru. Hrana obrobku je tlačena proti paralelnímu dorazu (15), přičemž plochá strana leží na stole pily (1). Ochrana pilového kotouče (4) musí být vždy sklopena na obrobek. Pracovní postoj při podélném řezu nesmí být nikdy v jedné linii s průběhem řezu.

- Paralelní doraz (15) nastavit příslušně podle výšky obrobku a požadované šířky (viz 9.4).
- Pilu zapnout.
- Ruce se semknutými prsty položit ploše na obrobek a obrobek posouvat podél paralelního dorazu (15) do pilového kotouče (3).
- Boční vedení levou nebo pravou rukou (podle polohy paralelního dorazu) pouze po přední hranu ochrany pilového kotouče (4).
- Obrobek protáhnout vždy až do konce roztahovacího klínu (6).
- Odpad zůstane na stole pily (1) ležet do té doby, dokud se pilový kotouč (3) opět nenachází v klidové poloze.
- Dlouhé obrobky zajistit proti přepadnutí na konci řezání! (např. odvalovací stojan atd.)

10.1.1 Řezání úzkých obrobků (Obr. 20)

Podélné řezy obrobků o šířce menší než 120 mm musí být bezpodmínečně prováděny za použití posuvné tyče (9). Posuvná tyč je v rozsahu dodávky. Opotřebovanou nebo poškozenou posuvnou tyč okamžitě vyměnit.

- Nastavte podélnou zarážku podle předpokládané šířky obrobku (viz. 9.4).
- Obrobek posunujte dopředu oběma rukama, v oblasti pilového listu je nutné použít posuvnou tyč (9) jako posuvnou pomůcku.
- Obrobek vždy protlačte až ke konci rozpěrného klínu.

⚠ Pozor! U krátkých obrobků je třeba použít posuvnou tyč už na začátku řezání.

10.1.2 Provádění šikmých řezů (Obr. 21)

Šikmé řezy jsou prováděny zásadně za použití paralelního dorazu (15).

- Pilový kotouč nastavit na požadovaný úhlový rozměr (viz 9.3).
- Paralelní doraz (15) nastavit podle šířky a výšky obrobku (viz 9.4).
- Řez provést odpovídajíc šířce obrobku (10.1).

10.2 Provedení příčných řezů (Obr. 22)

- Příčný doraz (7) nasounout do jedné z drážek (31a/b) stolu pily a nastavit na požadovaný úhlový rozměr. (viz 9.5) Pokud by měl být pilový kotouč (3) dodatečně nastaven šikmo, je potřeba použít drážku (31a), která nedovolí, aby se Vaše ruka a příčný doraz dostaly do kontaktu s ochranou pilového kotouče.
- V případě potřeby použít dorazovou lištu.
- Obrobek tlačít pevně proti příčnému dorazu (13).
- Pílu zapnout.
- Příčný doraz (7) a obrobek posouvat ve směru pilového kotouče a provést řez.

Pozor:

Vždy pevně držte vedený obrobek, nikdy volný obrobek, který je uřezávan.

- Příčný doraz (7) posunout dopředu vždy tak dalece, až je obrobek úplně přeříznut.
- Pílu opět vypnout. Odpad odstranit teprve tehdy, když je pilový kotouč zastaven.

10.3 Řezání dřevotřískových desek

Aby se zabránilo vylomení hran řezu při řezání dřevotřískových desek, neměl by být pilový kotouč (3) nastaven výše než 5 mm nad tloušťku obrobku (viz také bod 9.2).

11. Transport

1. Před každou přepravou elektrický nástroj vypněte a odpojte ho od elektrické sítě.
2. Elektrický nástroj musí přenášet nejméně dvě osoby, nezdvíhejte ho u rozšíření stolu.
3. Elektrický nástroj chraňte před nárazy, ořesy a silnými vibracemi, a to např. při přepravě ve vozidlech.
4. Zajistěte přístroj proti sklouznutí, bezpečně ho přivažte.
5. Nikdy nepoužívejte ochranná zařízení k manipulaci nebo transportu.

12. Údržba

⚠ Upozornění! Před každým nastavením, údržbou nebo opravou vytáhněte síťovou zástrčku!

12.1 Všeobecná opatření údržby

- Udržujte bezpečnostní zařízení, větrací otvory a kryt motoru tak prosté prachu a nečistot, jak jen to je možné. Otřete přístroj čistým hadrem nebo ho profoukněte stlačeným vzduchem při nízkém tlaku.
- Doporučujeme přímo po každém použití přístroj vyčistit.
- Pravidelně přístroj čistěte vlhkým hadrem a trochou mazlavého mýdla. Nepoužívejte čisticí prostředky nebo rozpouštědla; tyto by mohly narušit plastové díly přístroje. Dbejte na to, aby se do přístroje nedostala voda.
- Jednou za měsíc naolejujte otočné díly, abyste prodloužili životnost nástroje. Motor však neolejujte. K čištění plastových součástí nepoužívejte žádné žíravé látky.

12.2 Uhlíkové kartáčky

- Při nadměrné tvorbě jisker nechte uhlíkové kartáčky zkontrolovat odborným elektrikářem. Pozor! Uhlíkové kartáčky smějí být vyměněny pouze odborným elektrikářem.

13. Uložení

Skladujte přístroj a jeho příslušenství na tmavém, suchém a nezamrzajícím místě a mimo dosah dětí. Optimální teplota skladování leží mezi 5 a 30 °C. Uložte elektrický přístroj v originálním balení.

Elektrický přístroj zakryjte, aby byl chráněn před prachem nebo vlhkem.

Pilové kotouče a klíče, které se nepoužívají, lze uložit jako na obr.23.

Návod k obsluze uložte u přístroje.

14. Elektrická přípojka

Instalovaný elektromotor je zabudován v provozuschopném stavu. Přípojka musí odpovídat příslušným předpisům VDE a DIN.

Těmto předpisům musí odpovídat síťová přípojka zákazníka i použité prodlužovací kabely.

- Výrobek splňuje požadavky normy EN 61000-3-11 a podléhá zvláštním přípojovacím podmínkám. To znamená, že použití libovolných, volně vybraných přípojovacích bodů není přípustné.
- Přístroj může při špatných podmínkách sítě způsobit přechodné výkyvy napětí.
- Produkt je určený pouze pro použití v objektu, který má trvalý zátěžový proud nejméně 100 A na fázi a je dodávaný prostřednictvím distribučního systému se jmenovitým napětím 230V.
- Jako uživatel se musíte ujistit, případně poradit s vaší energetickou společností, zda je trvalý zátěžový proud systému v místě připojení na veřejnou síť dostačující pro připojení tohoto produktu.

Důležité pokyny

Při přetížení se motor automaticky vypne. Po určité době na vychladnutí (čas se liší) nechte motor znovu zapnout.

Vadný elektrický přívodní kabel

U elektrických přívodních kabelů často dochází k poškození izolace.

Jeho příčinami mohou být:

- Poškození tlakem, je-li přívodní kabel veden oknem nebo štěrbinou ve dveřích.
- Prohnutí kvůli nevhodnému upevnění nebo vedení přívodního kabelu.
- Zlomení kvůli přejíždění přes přívodní kabel.
- Poškození izolace kvůli vytrhnutí z elektrické zásuvky ve stěně.
- Protržení v důsledku stárnutí izolace.

Tyto vadné elektrické přívodní kabely nesmí být používány a kvůli poškození izolace jsou životu nebezpečné. Pravidelně kontrolujte poškození elektrických přívodních kabelů. Dávejte pozor, aby nebyl přívodní kabel při kontrole připojen do elektrické sítě.

Elektrické přívodní kabely musí odpovídat příslušným předpisům VDE a DIN. Používejte pouze přívodní kabely s označením H 07 RN.

Uvedení typového označení na přívodním kabelu je povinné.

Motor na střídavý proud

- Napětí v síti musí činit 230 V~
- Prodlužovací kabely do délky 25 m mít průměr 1,5 milimetru čtverečního.

Připojení a opravy elektrického vybavení mohou provádět pouze odborní elektrikáři.

Při zpětných dotazech uvádějte prosím tyto údaje:

- Typ proudu napájecího motoru
- Údaje z typového štítku stroje
- Údaje z typového štítku motoru

15. Odstraňování závad

Závada	Možná příčina	Odstranění
1. Pilový list se po zastavení motoru uvolní	Utahovací matice je málo utažená	Utáhněte pravý závit utahovací matice
2. Motor se nespustí	a) Selhání síťové pojistky	a) Zkontrolujte síťovou pojistku
	b) Chybný prodlužovací kabel	b) Vyměňte prodlužovací kabel
	c) Připojení k motoru nebo spínači není v pořádku	c) Kontrola kvalifikovaným elektrikářem
	d) Vadný motor nebo spínač	d) Kontrola kvalifikovaným elektrikářem
3. Nesprávný směr otáčení motoru	a) Vadný kondenzátor	a) Kontrola kvalifikovaným elektrikářem
	b) Nesprávné připojení	b) Nechte vyměnit polarity zásuvky kvalifikovaným elektrikářem
4. Motor nemá žádný výkon, pojistka vyskočí	a) Průřez prodlužovacího kabelu není dostatečný	a) viz Elektrické připojení
	b) Přetážení způsobené tupým pilovým listem	b) Vyměňte pilový list
5. Spáleniny na řezné ploše	a) Tupý pilový list	a) Naostření pilového listu, výměna
	b) Nesprávný pilový list	b) Vyměňte pilový list

Vysvetlenie symbolov na prístroji

		<p>Pozor! Nebezpečenstvo ohrozenia života, riziko zranenia alebo poškodenia náradia v prípade nedodržania pokynov!</p>
		<p>Pred uvedením do prevádzky si prečítajte návod na obsluhu a bezpečnostné upozornenia a dodržiavajte ich!</p>
		<p>Noste ochranné okuliare!</p>
		<p>Noste ochranu sluchu!</p>
		<p>Pri tvorbe prachu noste ochranu dýchania!</p>
		<p>Pozor! Nebezpečenstvo poranenia! Nesiahajte do bežiaceho pílového kotúča!</p>
		<p>trieda ochrany II</p>

1. Úvod

VÝROBCA:

scheppach

Fabrikation von Holzbearbeitungsmaschinen GmbH
Günzburger Straße 69
D-89335 Ichenhausen

VÁŽENÝ ZÁKAZNÍK,

Želáme Vám veľa zábavy a úspechov pri práci s Vaším novým prístrojom.

POZNÁMKA,

V súlade s platnými zákonmi, ktoré sa týkajú zodpovednosti za výrobok, výrobca zariadenia nepreberá zodpovednosť za poškodenia výrobku alebo za škody spôsobené výrobkom, ku ktorým došlo z nasledujúcich dôvodov:

- nesprávnej manipulácie,
- nedodržania pokynov na obsluhu,
- opravy vykonanej treťou stranou, opravy nevykonanej v autorizovanom servise,
- montáže neoriginálnych dielcov alebo použitia neoriginálnych dielcov pri výmene,
- iného než špecifikované použitia,
- poruchy elektrického systému, ktorá bola spôsobená nedodržaním elektrických predpisov a predpisov VDE 0100, DIN 57113, VDE0113.

ODPORÚČAME:

Pred montážou a obsluhou tohto zariadenia si prečítajte kompletný text v návode na obsluhu. Pokyny na obsluhu sú určené na to, aby sa používateľ oboznámil s týmto zariadením a aby pri jeho použití využil všetky jeho možnosti v súlade s uvedenými odporúčaniami. Tento návod na obsluhu obsahuje

dôležité informácie o tom, ako vykonávať bezpečnú, profesionálnu a hospodárnu obsluhu stroja, ako zabrániť rizikám, ako ušetriť náklady na opravy, ako skrátiť časy prestojov a ako zvýšiť spoľahlivosť a predĺžiť prevádzkovú životnosť stroja. Okrem bezpečnostných predpisov uvedených v návode na obsluhu musíte dodržiavať tiež platné predpisy, týkajúce sa prevádzky stroja vo vašej krajine.

Uchovávajte návod na obsluhu stále v blízkosti stroja a uložte ho do plastového obalu, aby bol chránený pred nečistotami a vlhkosťou. Prečítajte si návod na obsluhu pred každým použitím stroja a dôkladne dodržiavajte v ňom uvedené informácie. Stroj môžu obsluhovať iba osoby, ktoré boli riadne preškolené v jeho obsluhu a ktoré boli riadne informované o rizikách spojených s jeho obsluhou. Pri obsluhu stroja musí byť splnený stanovený minimálny vek.

Nepreberáme ručenie za žiadne nehody alebo škody, ktoré vznikli nedodržaním tohto návodu a bezpečnostných upozornení.

2. Opis zariadenia (obr. 1 – 4)

1. Stôl píly
2. Vložka stola
3. Pílový kotúč
4. Ochrana pílového kotúča
5. Odsávací hadica
6. Rozovierací klin
7. Priečny doraz
8. Rozšírenie stola
9. Posuvná tyč
10. Podstavec
11. Zapínač, vypínač
12. Ručné koleso
13. Blokovacia rukoväť
14. Vodiaca lišta
15. Paralelný doraz
16. Podperné nohy
- 16a Gumené pätky
- 16b Strmeň
17. Priečna výstuha, dlhá
18. Priečne výstupy, krátke
19. Skrutka so šesťhrannou hlavou
20. Šesťhranná matica
21. Kľúč na pílový kotúč
- 21a Pružná podložka
- 21b Podložka
22. Oporné vzpery

3. Rozsah dodávky

- Otvorte obal a opatrne vyberte prístroj.
- Odstráňte obalový materiál, ako aj obalové a prepravné poistky (ak sú použité).
- Skontrolujte, či je rozsah dodávky kompletný.
- Prístroj a diely príslušenstva skontrolujte ohľadom poškodení spôsobených prepravou.
- Obal podľa možnosti uschovajte až do uplynutia záručnej doby.

POZOR

Prístroj a obalové materiály nie sú hračkami pre deti! Deti sa nesmú hrať s plastovými vreckami, fóliami ani drobnými súčiastkami! Vzniká nebezpečenstvo prehltnutia a udusení!

4. Správny spôsob použitia

Stolná kotúčová píla je určená na pozdĺžne a priečne rezanie (len s použitím priečného doražu) dreva akéhokoľvek druhu s primeranou veľkosťou pre daný stroj. Guľatina akéhokoľvek druhu sa nesmie rezať na tomto stroji. Prístroj smie byť použitý len na ten účel, na ktorý bol určený.

Akékoľvek iné odlišné použitie sa považuje za nespĺňajúce účel použitia. Za škody alebo zranenia akéhokoľvek druhu spôsobené nesprávnym používaním ručí používateľ / obsluhujúca osoba, nie však výrobca.

Povolené pre používanie s týmto strojom sú len vhodné pílové kotúče (pílové kotúče typu HM alebo CV).

Používanie pílových kotúčov typu HSS a rozbrusovacích kotúčov akéhokoľvek druhu je zakázané. Súčasťou správneho účelového použitia prístroja je taktiež dodržiavanie bezpečnostných predpisov, ako aj návodu na montáž a pokyny k prevádzke nachádzajúce sa

v návode na obsluhu. Osoby, ktoré obsluhujú stroj a vykonávajú jeho údržbu, musia byť s ním oboznámené a informované o možných nebezpečenstvách. Okrem toho sa musia prísne dodržiavať platné bezpečnostné predpisy proti úrazom. Treba dodržiavať aj ostatné všeobecné predpisy z oblasti pracovnej medicíny a bezpečnostnej techniky.

⚠ Pozor!

Pri používaní prístrojov sa musia dodržiavať príslušné bezpečnostné opatrenia, aby bolo možné zabrániť prípadným zraneniam a vecným škodám. Preto si starostlivo prečítajte tento návod na obsluhu / bezpečnostné pokyny. Následne ich starostlivo uschovajte, aby ste mali vždy k dispozícii potrebné informácie. V prípade, že budete prístroj požičiavať tretím osobám, prosím odovzdajte im spolu s prístrojom tento návod na obsluhu / bezpečnostné pokyny. Nepreberáme žiadne ručenie za nehody ani škody, ktoré vzniknú nedodržaním tohto návodu na obsluhu a bezpečnostných pokynov. Zmeny vykonané na stroji celkom anulujú ručenie výrobcu a ručenie za škody takto spôsobené. Napriek správne účelovému použitiu sa nemôžu niektoré špecifické rizikové faktory celkom vylúčiť. Z dôvodu danej konštrukcie a stavby tohto stroja sa môžu vyskytnúť nasledujúce riziká:

- Kontakt s pilovým kotúčom v píliacej oblasti, ktorá nie je prikrytá.
- Siahnutie do bežiaceho pilového kotúča (rezné zranenie).
- Spätný úder obrobkov a častí obrobkov.
- Zlomenie pilového kotúča.
- Vymrštenie poškodených tvrdokovových častí pilového kotúča.
- Poškodenie sluchu pri nepoužívaní potrebnej ochrany sluchu.
- Emisie dreveného prachu poškodzujúce zdravie pri používaní v uzatvorených miestnostiach.

⚠ Prosím berte ohľad na skutočnosť, že naše prístroje neboli svojim určením konštruované na profesionálne, remeselnícke ani priemyselné použitie. Nepreberáme žiadne záručné ručenie, ak sa prístroj bude používať v profesionálnych, remeselníckych alebo priemyselných prevádzkach ako aj na činnosti rovnocenné s takýmto použitím.

5. Dôležité upozornenia

⚠ **Pozor!** Pri používaní elektrických prístrojov je nutné na ochranu pred zásahom elektrickým prúdom, pred nebezpečenstvom poranenia a nebezpečenstvom požiaru dodržiavať nasledujúce základné bezpečnostné upozornenia. Predtým ako použijete tento elektrický prístroj, prečítajte si všetky bezpečnostné upozornenia a dobre ich uschovajte.

Bezpečná práca

1 Udržujte Vaše pracovisko vždy v čistom stave

- Neporiadok na pracovisku môže spôsobiť nebezpečenstvo úrazu.

2 Dbajte na vplyvy okolia

- Nevystavujte elektrické prístroje dažďu.
- Nepoužívajte elektrické nástroje vo vlhkom alebo mokrom prostredí.
- Postarajte sa o dobré osvetlenie. Nepoužívajte elektrické prístroje v blízkosti horľavých tekutín alebo plynov.
- Elektrické prístroje nepoužívajte na miestach, kde hrozí nebezpečenstvo vzniku požiaru alebo výbuchu.

3 Chráňte sa pred elektrickým úrazom

- Zabráňte telesnému dotyku s uzemnenými predmetmi, ako napríklad potrubnými rúrami, radiátormi, pecami, chladničkami.

4 Zabráňte prístup deťom!

- Nedovoľte iným osobám dotýkať sa prístroja alebo káblu počas práce, zabráňte im vstupe do Vašej pracovnej oblasti.

5 Ukladajte Vaše prístroje na bezpečnom mieste

- Nepoužívané nástroje musia byť uskladnené v suchej, uzatvorenej miestnosti a mimo dosahu detí.

6 Nepreťažujte Vaše prístroje

- Práca je dôkladnejšia a bezpečnejšia v rozmedzí uvedeného výkonu prístroja.

7 Používajte vždy správny nástroj

- Nepoužívajte na ťažké práce nástroje alebo prídavné prípravky s príliš slabým výkonom.
- Nepoužívajte náradia na účely a práce, na ktoré neboli určené, napríklad v žiadnom prípade nepoužívajte ručnú kruhový pílu na stínanie stromov alebo rezanie konárov.
- Elektrický prístroj nepoužívajte na rezanie palivového dreva.

8 Pri práci používajte vhodný pracovný odev

- Nenoste pri práci s prístrojom voľné oblečenie ani šperky. Môžu byť totiž zachytené pohyblivými súčiastkami.
- Pri prácach vonku sa odporúčajú gumené rukavice a protišmyková pevná obuv.
- Ak máte dlhé vlasy, používajte sieťku na vlasy.

9 Používajte ochranný výstroj.

- Noste ochranné okuliare.
- Pri prácach, pri ktorých sa vytvára prach, noste ochrannú masku.

10 Zapojte zariadenie na odsávanie prachu

- Keď sa na prístroji nachádzajú prípravky na zapojenie zariadení na odsávanie prachu, presvedčte sa o tom, že je možné tieto zariadenia pripojiť a používať ich.
- Prevádzka v uzatvorených priestoroch je povolená iba s vhodným odsávacím zariadením.

11 Zaistite obrábaný materiál

- Používajte upínacie zariadenia alebo zverák na pevné uchytenie obrábaného materiálu. Obrobok je tak držaný oveľa bezpečnejšie ako Vašou rukou a umožňuje sa tak obsluha prístroja oboma rukami.
- Pri dlhých obrobkoch je žiaduca prídavná podpera (stól, kozlíky atď.) na zabránenie prevráteniu stroja.
- Obrobok vždy pevne zatlačte proti pracovnej doske a dorazu, aby sa zabránilo kývaniu, príp. otáčaniu obrobku.

12 Vyhýbajte sa abnormálnemu držaniu tela.

- Postarajte sa o bezpečný postoj a neustále udržiavajte rovnováhu.
- Vyhýbajte sa „nešikovným“ polohám rúk, pri ktorých by ste mohli nečakaným skĺznutím jednej alebo oboch rúk prísť do kontaktu s pilovým kotúčom.

13 Dôkladne ošetrte Vaše prístroje

- Udržujte Vaše prístroje vždy ostré a čisté, aby ste mohli pracovať dôkladne a bezpečne.
- Dodržiavajte predpisy pre údržbu a pokyny pre výmenu nástrojov.
- Pravidelne kontrolujte zástrčku a kábel, a pri eventuálnom poškodení ich nechajte vymeniť autorizovaným odborníkom.
- Pravidelne kontrolujte predlžovací kábel a nahraďte káble, ktoré sú poškodené.
- Udržujte rukoväte a držadlá suché a čisté od oleja a tukov.

- 14 Zástrčku vytiahnite zo zásuvky.**
- Pri bežiacom pílovom kotúči nikdy neodstraňujte triesky, piliny ani zaseknuté kusy dreva.
 - Pri nepoužívaní elektrického prístroja, pred údržbou a pri výmene nástrojov, napr. pílového kotúča, vrtáka, frézy.
- 15 Nezabudnite v prístroji zastrčené nástrojové kľúče**
- Pred zapnutím vždy skontrolujte, že sa na prístroji nenachádzajú žiadne kľúče a nastavovacie nástroje.
- 16 Zabráňte neúmyselnému nábehu.**
- Uistite sa, že je spínač pri zasunutí zástrčky do zásuvky vypnutý.
- 17 Pre vonkajšiu oblasť používajte predlžovací kábel.**
- Na voľnom priestranstve používajte iba povolené a príslušne označené predlžovacie káble.
 - Používajte káblový bubon iba v rozvinutom stave.
- 18 Buďte opatrní.**
- Dávajte pozor na to, čo robíte. Pri práci používajte rozum. Elektrický prístroj nepoužívajte, ak sa nesústreďíte.
- 19 Pravidelne kontrolujte prípadné poškodenia vášho prístroja**
- Pred ďalším používaním prístroja starostlivo skontrolovať, či sú ochranné zariadenia alebo ľahko poškodené súčiastky stále v náležitom funkčnom stave podľa predpisov.
 - Skontrolujte, či je funkcia všetkých pohyblivých dielov prístroja v poriadku, t.j. či nedochádza k ich blokovaniu alebo nie sú poškodené. Všetky diely musia byť správne namontované, aby sa zabezpečila bezpečnosť prístroja.
 - Pohyblivý ochranný kryt sa nemôže v otvorenom stave zaseknúť.
 - Poškodené ochranné zariadenia a súčiastky musia byť odborne opravené alebo vymenené v zákazníckom servise, pokiaľ nie je v návodoch na obsluhu uvedené inak.
 - Poškodené spínače musia byť nahradené v zákazníckom servise.
 - Benutzen Sie keine fehlerhaften oder beschädigten Anschlussleitungen.
 - V žiadnom prípade nepoužívajte prístroje, ak na nich nie je možné vypnúť a zapnúť ich vypínač.
- 20 POZOR!**
- Pri dvojúkosových rezoch buďte mimoriadne opatrní.
- 21 POZOR!**
- Používanie iných nástrojov a iného príslušenstva môže pre vás znamenať nebezpečenstvo poranenia.
- 22 Elektrický prístroj nechajte opraviť vyučeným elektrikárom.**
- Tento elektrický prístroj je v súlade s príslušnými bezpečnostnými smernicami. Opravy smie vykonávať len odborný elektrikár, v opačnom prípade môže dôjsť k úrazu obsluhujúcej osoby.
- 23 Nepoužívajte kábel na iné účely**
- Nenoste prístroj zavesený za elektrický kábel a nepoužívajte ho na vyťahovanie zástrčky von zo zásuvky. Chráňte elektrický kábel pred teplom, olejom a ostrými hranami.

DODATOČNÉ BEZPEČNOSTNÉ UPOZORNENIA

1 Bezpečnostné opatrenia

- **⚠ Varovanie!** Deformované alebo poškodené pílové kotúče sa nesmú používať.
- Opatrebovanú vložku stola vymeňte.

- Používajte iba pílové kotúče odporúčané výrobcom, ktoré zodpovedajú norme EN 847-1. **⚠ Varovanie!** Pri výmene pílového kotúča dbať na to, aby nebola šírka rezu menšia a hrúbka kmeňového kotúča tohto pílového kotúča nebola väčšia ako hrúbka rozovieracieho klinu.
- Dávajte pozor na to, aby ste na rezaný materiál použili vhodný pílový kotúč.
- Noste vhodný osobný ochranný výstroj. Tento obsahuje:
 - Ochranu sluchu na zabránenie možnému vzniku nedoslýchavosti.
 - Ochranu dýchania na zabránenie riziku vdýchnutia nebezpečného prachu.
- Pri manipulácii s pílovými kotúčmi a drsnými materiálmi noste rukavice.
- Pílové kotúče, ak je to možné, noste v úložnom puzdre.
- Noste ochranné okuliare. Počas práce vznikajú iskry alebo z prístroja odletujú triesky, piliny a prach, ktoré môžu zapríčiniť stratu zraku.
- Elektrický prístroj pri rezaní dreva pripojte k odsávaciemu zariadeniu. Emisie prachu sú, okrem iného, ovplyvnené druhom obrábaného materiálu, významom lokálnej separácie (zaznamenanie alebo zdroj) a správnym nastavením krytov/vodiacich plechov/vedení.
- Nepoužívajte pílové kotúče z vysokolegovanej rýchloreznej ocele (HSS oceľ).
- Posuvný prípravok alebo rukoväť pre posuvné porisko by sa malo vždy, keď sa práve nepoužíva, skladovať uložené na určenom mieste na stroji.

2 Údržba a oprava

- Pri všetkých nastavovacích a údržbových prácach vytiahnite sieťovú zástrčku.
- Príčinu hluku ovplyvňujú rôzne faktory, okrem iného aj povaha pílových kotúčov, stav pílového kotúča a elektrického prístroja. Podľa možností používajte pílové kotúče, ktoré boli skonštruované na zníženie tvorby hluku, pravidelne vykonávajte údržbu elektrického prístroja a nástrojových násadcov, v prípade potreby vykonajte ich opravu s cieľom zníženia hluku.
- Chyby na elektrickom prístroji, ochranných zariadeniach alebo nástrojových násadcoch ihneď po ich zistení oznámte osobe zodpovednej za bezpečnosť.

3 Bezpečná práca

- Používať posuvný prípravok alebo rukoväť s posuvným poriskom, aby sa mohol obrobok bezpečne viesť okolo pílového kotúča.
- Používať rozovierací klin a správne nastaviť.
- Používajte a správne nastavte horný prípravok na ochranu pílového kotúča.
- Používajte iba pílové kotúče, ktorých najvyššie povolené otáčky nie sú nižšie ako maximálne otáčky vretena kotúčovej stolovej píly a také, ktoré sú vhodné na rezanie materiálu.
- Drážkovanie alebo žliabkovanie sa nesmie vykonávať bez toho, aby sa ponad pílový stôl nainštalovalo vhodné ochranné zariadenie, ako napr. tunelový ochranný prípravok.
- Kotúčové píly sa nesmú používať na zarezávanie čapov (v obrobku ukončená drážka).
- Pri preprave elektrického prístroja používajte iba prepravné zariadenia. Na manipuláciu ani prepravu nikdy nepoužívajte ochranné zariadenia.
- Dávajte pozor na to, aby ste počas prepravy prikryli spodný diel pílového kotúča, napríklad ochranným zariadením.

- Dávajte pozor na to, aby ste použili iba také dištančné podložky a krúžky vretena, ktoré sú vhodné na účel zadaný výrobcom.
- Podlaha v okolí stroja musí byť rovná, čistá, bez častíc, ako napr. pílin a zvyškov po rezaní.
- Pracovná poloha vždy zo strany od pílového kotúča.
- Z oblasti rezania neodstraňujte žiadne zvyšky po rezaní ani iné diely obrobku, pokiaľ stroj beží a pílový agregát sa ešte nenachádza v kľudovej polohe.
- Dávajte pozor na to, aby bol stroj, ak je to možné, vždy upevnený na pracovnom pulte alebo stole.
- Dlhé obrobky zaistite proti spadnutiu na konci procesu rezania (napr. valčekovým stojanom alebo valčekovým kozlíkom).
- **⚠ Pozor!** Nikdy neodstraňujte uvoľnené triesky, hobliny alebo zaseknuté časti dreva pri bežiacom pílovom kotúči.
 - Pri odstraňovaní porúch alebo pri vyberaní zaseknutých kusov dreva sa musí stroj vypnúť. - **Vytiahnuť kábel zo siete** -
 - Prestavby, rovnako ako nastavenie, meranie a upratovacie práce vykonávajte iba s vypnutým motorom. – **Vytiahnite sieťovú zástrčku.** –
 - Pred zapnutím sa uistite, že sú kľúče a nastavovacie náradia odstránené.

Varovanie! Tento elektrický prístroj vytvára počas prevádzky elektromagnetické pole. Toto pole môže za určitých okolností ovplyvniť aktívne alebo pasívne implantáty. Na zníženie nebezpečenstva závažných alebo smrteľných poranení odporúčame osobám s implantátmi prekonzultovať situáciu so svojím lekárom a výrobcom implantátu ešte predtým, ako začnú obsluhovať elektrický prístroj.

BEZPEČNOSTNÉ UPOZORNENIA PRE MANIPULÁCIU S PÍLOVÝMI KOTÚČMI

- 1 Používajte iba prístroje, s ktorými viete manipulovať.
- 2 Dodržiavajte najvyššie otáčky. Najvyššie otáčky uvedené na prístroji sa nesmú prekročiť. Ak je to uvedené, dodržiavajte rozsah otáčok.
- 3 Dodržiavajte smer otáčania pílového kotúča.
- 4 Nepoužívajte žiadne prístroje s trhlinami. Prístroje s trhlinami vyradte. Oprava nie je povolená.
- 5 Upínacie plochy zbavte nečistôt, tuku, oleja a vody.
- 6 Nepoužívajte žiadne redukčné krúžky ani puzdrá na zmenšenie otvorov pri kotúčoch kotúčových píl.
- 7 Dbajte na to, aby fixované redukčné krúžky na zaistenie nástroja mali rovnaký priemer a minimálne 1/3 rezného priemeru.
- 8 Uistite sa, že fixované redukčné krúžky sú navzájom paralelné.
- 9 S nástrojmi manipulujte s opatrnosťou. Skladujte ich v originálnom obale alebo v špeciálnych puzdrách. Na zlepšenie bezpečného uchopenia a zníženie nebezpečenstva poranenia noste ochranné rukavice.
- 10 Pred použitím nástrojov sa uistite, že všetky ochranné zariadenia boli upevnené v súlade s predpismi.
- 11 Pred použitím sa uistite, že vami používaný nástroj zodpovedá technickým požiadavkám tohto elektrického prístroja a je upevnený v súlade s predpismi.
- 12 Dodaný pílový kotúč používajte iba na rezanie do dreva, nikdy na obrábanie kovov.

Zostatkové riziká

Stroj je skonštruovaný podľa stavu techniky a prijatých bezpečnostnotechnických pravidiel. Napriek tomu sa môžu pri práci vyskytnúť jednotlivé zostatkové riziká.

- Ohrozenie zdravia prúdom pri použití elektrických prípojných vedení v rozpore s určením.
- Napriek všetkým prijatým opatreniam môžu pretrvávajúť zostatkové riziká, ktoré nie sú očividné.
- Zostatkové riziká je možné minimalizovať, ak sa dodržiavajú bezpečnostné upozornenia, použitie v súlade s určením, ako aj návod na obsluhu.
- Stroj zbytočne nezaťažujte: príliš veľký tlak pri rezaní rýchlo poškodzuje pílový kotúč, čo môže viesť k zníženiu výkonu stroja pri obrábaní a k nepresnostiam rezu.
- Vyhýbajte sa náhodným uvedeniam stroja do prevádzky: pri zasunutí zástrčky do zásuvky sa nesmie stlačiť tlačidlo prevádzky.
- Používajte nástroj, ktorý sa odporúča v tejto príručke. Tak dosiahnete, že skracovacia píla dosiahne optimálne výkony.
- Do zóny obrábania sa nikdy nesmú dostať ruky, keď je stroj v prevádzke.
- Predtým ako vykonáte nejaké operácie, uvoľnite tlačidlo na rukoväti a stroj vypnite.

6. Technické údaje

Motor na striedavý prúd	220-240 V~ 50Hz
Výkon	2000 Watt
Pracovný režim	S6 25%*
Otáčky pri voľnobehu	5000 min ⁻¹
Pílový kotúč zo spekaného karbidu	ø 250 x ø 30 x 2,8 mm
Počet pílových zubov	24
Hrubý štiepací klin	2 mm
Veľkosť stola	940 x 642 mm
Výška rezu max. 90°	85 mm
Výška rezu max. 45°	65 mm
Plynulé výškové nastavenie	0 - 85 mm
Dosah otáčavosti	0 - 45°
Odsávací prípojka	ø 35 mm
Hmotnosť	20,0 kg

* Spôsob prevádzky S6 25 %: Kontinuálna prevádzka s prerušovaným zaťažením (doba cyklu 10 min.). Aby sa zabránilo neprípustnému zahriatiu motora, musí byť motor 25 % doby cyklu prevádzkovaný s uvedeným menovitým výkonom a potom musí bežať 75 % doby cyklu bez zaťaženia.

Zvuk

Hluk tejto píly bol určený podľa smernice EN 61029.

Hladina akustického tlaku L _{pA}	91,0 dB(A)
Nepresnosť K _{pA}	3 dB
Hladina akustického výkonu L _{WA}	104,0 dB(A)
Nepresnosť K _{pA}	3 dB

Noste ochranu sluchu.

Vplyv hluku môže spôsobiť stratu sluchu. Celkové hodnoty vibrácií (vektorový súčet troch smerov) stanovené podľa EN 61029.

7. Pred uvedením do prevádzky

- Zariadenie sa musí umiestniť stabilne, t.j. na pracovný stôl, univerzálny podstavec apod.
- Pred uvedením do prevádzky sa musia všetky kryty a bezpečnostné prípravky správne namontovať.
- Pílový kotúč musí môcť voľne bežať.
- Pri dreve, ktoré už bolo opracované, je potrebné dbať na cudzie telesá ako napr. klince alebo skrutky atď.
- Pred stlačením vypínača zap/vyp musí byť pílový kotúč správne namontovaný. Pohyblivé diely musia mať ľahký chod.
- Pred zapojením skontrolovať, či sú všetky údaje na dátovom štítku v súlade s údajmi elektrickej siete.
- Pripojte stroj iba na správne inštalovanú zásuvku s ochrannými kontaktmi, ktorá je zabezpečená istením minimálne 16 A.

8. Zloženie

Pozor! Pred všetkými údržbovými, prestavbovými a montážnymi prácami na kotúčovej pile sa musí vytiahnuť elektrický kábel zo siete.

Umiestnite všetky dodané diely na rovný povrch. Rovnaké diely zoskupte.

Upozornenie: Ak sa spojenia so skrutkou (s guľatou hlavou alebo hexagonálnou), šesťhrannou maticou a podložkou zabezpečujú, podložka musí byť inštalovaná pod maticou.

Vložte každú skrutku zvonka dovnútra, zabezpečte spojenia maticou zvnútra.

Upozornenie: Pri montáži utiahnite skrutky a matice iba do tej miery, že nemôžu vypadnúť.

Ak skrutky a matice naskrutkujete a dotiahnete už pred konečnou montážou, finálnu montáž nie je možno vykonať.

8.1 Montáž rozšírenia stola (obr. 5)

1. Obráťte pílu a so stolom ju postavte nadol na zem.
2. Rozšírenie stola (8) vyrovajte v jednej rovine so stolom píly (1).
3. Rozšírenie stola (8) voľne upevnite na stôl píly (1) pomocou skrutiek so šesťhrannou hlavou (19) a pružných podložiek (20a), podložiek (20b) a šesťhranných matic (20). Tento postup zopakujte na protiaľhlej strane.
4. Štyri oporné vzpery (22) priskrutkujte pomocou skrutiek so šesťhrannou hlavou (19), pružnej podložky (20a), podložiek (20b) na rozšírenia stola (8).
5. Následne pevne utiahnite všetky skrutky.

8.2 Montáž podstavca (obr. 6 – 7.1)

1. Štyri podperné nohy (18) spolu s opornými vzperami (22) a skrutkami so šesťhrannou hlavou (19), pružnými podložkami (20a) a podložkami (20b) naskrutkujte na pílu (obr. 6). Použite na to dodaný kľúč na pílový kotúč (21a). (obr. 6).
2. Gumené pätky (16a) nasuňte na nožičky (16) (obr. 6.1).
3. Teraz zaskrutkujte dlhú priečnu výstuhu (18) a krátku priečnu výstuhu (17) na podperné nohy (16) pomocou skrutiek so šesťhrannou hlavou (19) a šesťhranných matic (20). **Dbajte na to, aby proti sebe vždy ležali rovnaké výstuhy. Dlhé priečne výstuhy (18 – označené písmenom „B“) sa musia namontovať paralelne k strane obsluhy píly. (obr. 7).**

4. V otvoroch v zadných nožičkách voľte upevniťe strmene (16b) vždy pomocou 2 skrutiek so šesťhrannou hlavou (19), pružných podložiek (20a), podložiek (20b) a šesťhranných matic (20). (obr. 7.1) **Pozor!**
Oba strmene sa musia upevniť na zadnej strane stroja!
5. Následne pevne utiahnite všetky skrutky a matice podstavca.

8.3 Nastavenie/montáž rozovieracieho klinu (obr. 8 – 10)

⚠ Pozor! Vytiahnite sieťovú zástrčku!

Pred uvedením do prevádzky sa musí skontrolovať nastavenie rozovieracieho klinu (6).

1. Nastavte pílový kotúč (3) na max. hĺbku rezu, uveďte ho do polohy 0° a zaistite.
2. Pomocou krížového skrutkovača uvoľnite skrutku (23) vložky stola (2) a vyberte vložku stola (22) (obr. 8).
3. Vzdialenosť medzi pílovým kotúčom (3) a rozovieracím klinom (6) má byť max. 5 mm. (obr. 9)
4. Uvoľnite upevňovaciu skrutku (24) a rozovierací klin (6) vyťahujte, dokým sa nenastaví správna vzdialenosť (obr. 10)
5. Upevňovaciu skrutku (24) znovu pevne utiahnite a namontujte vložku stola (2).

8.4 Montáž/demontáž ochrany pílového kotúča (obr. 11 – 12)

1. Ochranu pílového kotúča (6) aj so skrutkou (25) nasadte zhora na rozovierací klin (6) tak, aby bola skrutka pevne uložená v pozdĺžnej diere rozovieracieho klinu (6).
2. Skrutku (25) neutiahnite príliš pevne, ochrana pílového kotúča (6) musí zostať voľne pohyblivá.
3. Odsávaciu hadicu (5) nasuňte na odsávací adaptér (26) a odsávacie hrdlo ochrany pílového kotúča (4). K odsávaciemu adaptéru (26) pripojte zariadenie na odsávanie pilín.
4. Demontáž sa uskutočňuje v opačnom poradí.
Pozor!
Pred začatím pílenia sa musí ochrana pílového kotúča (4) spustiť na pílený materiál.

8.5 Výmena vložky stola (obr. 8)

1. V prípade opotrebovania alebo poškodenia sa musí vložka stola (2) vymeniť, inak hrozí zvýšené nebezpečenstvo zranenia.
2. Pomocou krížového skrutkovača odstráňte skrutku (23).
3. Vyberte opotrebovanú vložku stola (2).
4. Montáž novej vložky stola sa uskutočňuje v opačnom poradí.

8.6 Montáž/výmena pílového kotúča (obr. 13)

1. **Pozor! Vytiahnite sieťovú zástrčku a natiiahnite si ochranné rukavice.**
2. Demontujte ochranu pílového kotúča (4) (pozri 8.4)
3. Odstráňte vložku stola (2) (pozri 8.5)
4. Uvoľnite maticu tým, že kľúč na pílový kotúč (21a) nasadíte na maticu a pridržíte ho na hriadelí motora ďalším kľúčom na pílový kotúč (21b) (pozri obr. 22).
5. **Pozor!** Otočte maticu v zmysle rotácie pílového kotúča.
6. Odnímate vonkajšiu prírubu a stiahnite starý pílový kotúč z vnútornej príruby.
7. Pred montážou nového pílového kotúča drôtenou kefou dôkladne vyčistite prírubu pílového kotúča.
8. Nový pílový kotúč nasadte späť v opačnom poradí a pevne utiahnite.

Pozor! Dbajte na smer behu, skosenie rezu zubov musí ukazovať v smere behu, t. j. dopredu.

9. Namontujte späť a nastavte vložku stola (2), ako aj ochranu pílového kotúča (4) (pozri 8.4 a 8.5)
10. Pred opätovnou prácou s pilou sa musí skontrolovať funkčnosť ochranných zariadení.

9. Obsluha

9.1 Vypínač zap/vyp (Obr.14)

- Stlačením zeleného tlačidla „I“ (11) sa môže píla zapnúť. Pred zahájením pílenia je potrebné vyčkať, kým pílový kotúč nedosiahne maximálny počet otáčok.
- Aby sa píla znovu vypla, musí sa stlačiť červené tlačidlo „0“ (11).

9.2 Hĺbka rezu (Obr.14)

- Otočením nastavovacej ručného kolieska (12) sa môže pílový kotúč (3) nastaviť na požadovanú hĺbku rezu.
- Proti smeru hodinových ručičiek: menšia hĺbka rezu
 - V smere hodinových ručičiek: väčšia hĺbka rezu

Skontrolujte nastavenie na základe skúšobného rezu.

9.3 Nastavenie uhlu (Obr.14)

Stolovou kotúčovou pilou môžu byť vykonané priečne rezy vľavo od 0° – 45° k príložníku.

⚠ Pred každým rezom skontrolujte, že medzi príložníkom (e), prierezovým meradlom (13) a pílovým listom (5) nemôže dôjsť ku kolízii.

- Uvoľniť aretačnú rukoväť (13).
- Stlačením a otáčaním ručného kolesa (12) nastavte na stupnici požadovaný uhlový rozmer.
- Zaretovať aretačnú rukoväť (13) v požadovanej uhlovej pozícii.

9.4 Práca s paralelným dorazom

9.4.1 Nastavenie výšky dorazu (obr. 15 – 16)

- Dorazová lišta (27) paralelného dorazu (15) má dve rôzne vysoké vodiace plochy.
- V závislosti od hrúbky rezaných materiálov sa musí použiť dorazová lišta (27) podľa obr. 16, na hrubý materiál (hrúbka obrobku viac ako 25 mm) a podľa obr. 15, na tenký materiál (hrúbka obrobku menej ako 25 mm).

9.4.2 Otočenie dorazovej lišty (obr. 15 – 16)

- Pre otočenie dorazovej lišty (27) najskôr uvoľnite krídlové matice (28).
- Teraz sa môže dorazová lišta (27) stiahnuť z vodiacej lišty (29) a s príslušným vedením znovu po nej posúvať.
- Znovu utiahnite krídlové matice (28).
- Dorazová lišta (27) sa môže podľa potreby namontovať naľavo alebo napravo od vodiacej lišty (29). Za týmto účelom namontujte iba skrutky z druhej strany vodiacej lišty (29)

9.4.3 Nastavenie šírky rezu (obr. 17)

- Pri pozdĺžnom rezaní drevených dielov sa musí použiť paralelný doraz (15).
- Paralelný doraz (15) by sa mal namontovať na pravej strane pílového kotúča (3).
- Paralelný doraz (15) nasadte zhora na vodiacu lištu pre paralelný doraz (14).

- Na vodiacej lište pre paralelný doraz (14) sa nachádzajú 2 stupnice, ktoré zobrazujú vzdialenosť medzi paralelným dorazom (15) a pílovým kotúčom (3).
- V závislosti od toho, či je dorazová lišta (27) otočená pre obrábanie hrubého alebo tenkého materiálu, vyberte vhodnú stupnicu:
Vysoká dorazová lišta (hrubý materiál)
Nízka dorazová lišta (tenký materiál)
- Na priezore nastavte paralelný doraz (15) na požadovaný rozmer a zafixujte ho výstredníkovou pákou pre paralelný doraz (30).

9.5 Priečny doraz (obr. 18)

- Zasuňte priečny doraz (13) do drážky (31) stola píly.
- Uvoľnite skrutku s ryhovanou hlavou (32).
- Otáčajte priečny doraz (7), kým nebude nastavený požadovaný uhlový rozmer. Šípka na priečnom doraze ukazuje nastavený uhol.
- Znovu pevne utiahnite skrutku s ryhovanou hlavou (32).
- Dorazovú lištu (34) je možné posúvať na priečnom doraze (13). Za týmto účelom uvoľnite matice (33) a posuňte dorazovú lištu (34) do požadovanej polohy. Znovu utiahnite matice (34)

Pozor!

- Dorazovú lištu (34) neposúvajte príliš ďaleko v smere pílového kotúča.
- Vzdialenosť medzi dorazovou lištou (34) a pílovým kotúčom (3) by mal byť cca 2 cm.

10. Prevádzka

Pracovné pokyny

Po každom nastavení odporúčame vykonať skúšobný rez, aby sa tak skontrolovali nastavené miery. Po zapnutí píly je potrebné vyčkať, kým pílový kotúč nedosiahne maximálny počet otáčok, predtým než urobíte prvý rez.

Dlhé obrobky zabezpečiť proti prevážaniu a spadnutiu na konci procesu pílenia (napr. pomocou odvalovacieho stojanu).

Pozor pri zahajovaní rezu!

Prístroj používajte len so zapojeným odsávaním.

Pravidelne kontrolujte a čistite odsávacie kanály.

Vhodnosť pílových kotúčov:

- 24 zubov: mäkké materiály, veľké oddeľovanie triesok, hrubý rez
- 48 zubov tvrdé materiály, menšie oddeľovanie triesok, jemný rez

10.1 Vykonávanie pozdĺžnych rezov (Bild 19)

Pri tomto reze sa rozreže obrobok v pozdĺžnom smere. Jedna hrana obrobku sa pritlačí oproti paralelnému dorazu (15), pričom plochá strana leží na pílovom stole (1). Ochrana pílového kotúča (4) musí byť vždy spustená na spracovávaný obrobok. Pracovný postoj pri pozdĺžnom reze nesmie byť nikdy v jednej línii s priebehom rezu.

- Paralelný doraz (15) nastaviť podľa výšky obrobku a požadovanej šírky rezu (pozri bod 9.4).
- Zapnúť pílu.
- Ruky so zovretými prstami položiť naplocho na obrobok a pozdĺž paralelného dorazu (15) posunúť obrobok do pílového kotúča (3).
- Postranné vedenie s ľavou alebo pravou rukou (podľa pozície paralelného dorazu) len po prednú hranu ochrany pílového kotúča (4).
- Obrobok pri pílení vždy posunúť až na koniec rozvieracieho klinu (6).

- Rezný odpad ostane na pílovom stole (1) ležať, až kým sa pílový kotúč (3) znovu nenachádza v pokojovej polohe.
- Dlhé obrobky zabezpečiť proti preváženiu a spadnutiu na konci procesu pílenia! (napr. rolovací stojan na konci apod.)

10.1.1 Rezanie tenkých obrobkov (Obr. 20)

Pozdĺžne rezy obrobkov so šírkou menšou ako 120 mm sa musia bezpodmienečne vykonávať pomocou posuvného prípravku (9). Posuvný prípravok je súčasťou objemu dodávky. Opotrebený resp. poškodený posuvný prípravok ihneď vymeniť.

- Nastavte pozdĺžnu zarážku podľa predpokladanej šírky obrobku. (pozri 9.4)
- Obrobok posúvajte dopredu oboma rukami, v oblasti pílového listu je nutné použiť tlačnú tyč (9) ako posuvnú pomôcku.
- Obrobok vždy pretlačte až ku koncu rozperného klinu.

⚠ **Pozor!** U krátkych obrobkov je treba použiť posuvnú tyč už na začiatku rezania.

10.1.2 Vykonávanie šikmých rezov (Obr. 21)

Šikmé rezy sa zásadne vykonávajú s použitím paralelného dorazu (15).

- Nastaviť pílový kotúč na požadovanú uhlovú hodnotu (pozri bod 9.3).
- Paralelný doraz (15) nastaviť podľa šírky a výšky obrobku (pozri bod 9.4).
- Rez vykonajte príslušne podľa od šírky obrobku (pozri bod 10.1).

10.2 Vykonávanie priečnych rezov (Obr. 22)

Priečny doraz (7) nasunúť do jednej z drážok (31a/b) pílového stola a nastaviť na požadovanú uhlovú mieru (pozri bod 9.6). Ak by sa mal pílový kotúč (3) dodatočne nastaviť na šikmo, potom sa musí použiť drážka (31a), ktorá nedovolí, aby sa dostala Vaša ruka a priečny doraz do kontaktu s ochranou pílového kotúča.

- Prípadne použiť dorazovú lištu.
- Obrobok pevne zatlačiť oproti priečnemu dorazu (7).
- Zapnúť pílu.
- Priečny doraz (7) a obrobok posunúť smerom k pílovému kotúču, aby sa vykonal požadovaný rez.

Pozor:

Vždy pevne držte Vami vedený obrobok, nie voľný kus obrobku, ktorý bude odrezaný.

- Priečny doraz (13) posunúť vždy tak dopredu, až sa obrobok kompletne celý prereže.
- Pílu opäť vypnúť. Odpad po pílení odstrániť až vtedy, keď sa pílový kotúč úplne zastaví.

10.3 Rezanie trieskových dosiek

Aby sa zabránilo vylomeniu rezných hrán pri rezaní trieskových dosiek, nemal by byť pílový kotúč (3) nastavený vyššie ako 5 mm nad hrúbkou obrobku (pozrie tiež bod 9.2).

11. Transport

1. Pred každou prepravou elektrický nástroj vypnite a odpojte ho od elektrickej siete.
2. Elektrický nástroj musia prenášať najmenej dvaja ľudia, nechopte ho za rozšírenie stola.
3. Elektrický nástroj chráňte pred nárazmi, otrasmami a silnými vibráciami, napr. pri preprave vo vozidlách.
4. Prístroj zabezpečte proti sklznutiu, bezpečne ho priviažte.
5. Nikdy nepoužívajte ochranné zariadenia na manipuláciu alebo na transport.

12. Údržba

⚠ **Varovanie!** Pred každým nastavením, údržbou alebo opravou vytiahnite sieťovú zástrčku!

12.1 Všeobecné údržbové opatrenia

- Udržujte ochranné zariadenia, vzduchové otvory a kryt motora vždy v čistom stave bez prachu a nečistôt. Utrite prístroj čistou utierkou alebo ho vyčistite vyfúkaním stlačeným vzduchom pri nastavení na nízky tlak.
- Odporúčame, aby ste prístroj čistili priamo po každom použití.
- Čistite prístroj pravidelne pomocou vlhkej utierky a malého množstva tekutého mydla. Nepoužívajte žiadne agresívne čistiace prostriedky ani riedidlá; tieto prostriedky by mohli napadnúť umelohmotné diely prístroja. Dbajte na to, aby sa do vnútra prístroja nedostala voda.
- Raz za mesiac naolejujte otočné diely pre predĺženie životnosti nástroja. Motor neolejujte.

12.2 Uhlíkové kefky

- Pri nadmernej tvorbe iskier nechajte uhlíkové kefky na prístroji skontrolovať odborným elektrikárom. Pozor! Uhlíkové kefky smú byť vymieňané len odborným elektrikárom.

13. Skladovanie

Skladujte prístroj a jeho príslušenstvo na tmavom, suchom a nezamrzajúcom mieste mimo dosahu detí. Optimálna teplota pre skladovanie je medzi 5 až 30 °C. Skladujte tento elektrický prístroj v originálnom balení. Elektrický prístroj zakryte, aby ste ho chránili pred prachom alebo vlhkosťou.

Pílové kotúče a kľúče, ktoré sa nepoužívajú, je možné uložiť ako na obr. 23.

Návod na obsluhu skladujte pri elektrickom prístroji.

14. Elektrická prípojka

Nainštalovaný elektromotor je pripojený a pripravený na prevádzku. Pripojenie zodpovedá príslušným ustanoveniam VDE a DIN.

Sieťová prípojka na strane zákazníka, ako aj predlžovacie vedenie musia zodpovedať týmto predpisom.

- Výrobok spĺňa požiadavky EN 61000-3-11 a podlieha špeciálnym podmienkam pripojenia. To znamená, že použitie na ľubovoľných voľne voliteľných prípojných bodoch nie je dovolené.
- Prístroj môže pri nevhodných sieťových pomeroch viesť k prechodným kolísaniam napätia.
- Produkt je určený len na použitie v objekte, ktorý má trvalý záťažový prúd najmenej 100 A na fázu a je dodávaný prostredníctvom distribučnej sústavy s menovitým napätím 230 V.
- Ako užívateľ sa musíte uistiť, prípadne sa poradiť s vašou energetickou spoločnosťou, či je trvalý záťažový prúd systému v mieste pripojenia na verejnú sieť dostatočný na pripojenie produktu.

Dôležité upozornenia

Pri preťažení motora sa tento samočinne vypne.

Po vychladení (časovo odlišné) je možné motor znovu zapnúť.

Poškodené elektrické prípojné vedenie

Na elektrických prípojných vedeniach často vznikajú škody na izolácii.

Príčinami môžu byť:

- Stlačené miesta, keď sa prípojné vedenia vedú cez okno alebo medzeru medzi dverami.
- Zalomené miesta v dôsledku neodborného upevnenia alebo vedenia prípojného vedenia.
- Rozrezané miesta vzniknuté pri prejazde cez prípojné vedenie.
- Škody na izolácii pri vytrhnutí zo zásuvky v stene.
- Trhliny pri zostarnutí izolácie.

Takéto poškodené elektrické prípojné vedenia sa nesmú používať a z dôvodu poškodenia izolácie sú životnebezpečné.

Elektrické prípojné vedenia pravidelne kontrolujte ohľadne poškodení. Dávajte pozor na to, aby pri kontrole prípojného vedenia nebolo toto pripojené k elektrickej sieti.

Elektrické prípojné vedenia musia zodpovedať príslušným ustanoveniam VDE a DIN. Používajte iba prípojné vedenia s označením H 07 RN.

Vytlačenie označenia typu na prípojnom kábli je predpis.

Motor na striedavý prúd

- Sieťové napätie musí predstavovať 230 V~.
- Predĺžovacie vedenia do dĺžky 25 m musia vykazovať priemer 1,5 mm².

Prípojky a opravy elektrickej výbavy smie vykonávať iba vyučený elektrikár.

V prípade otázok uveďte, prosím, nasledujúce údaje:

- druh prúdu motora,
- údaje z typového štítku stroja,
- údaje o motore z typového štítku.

15. Odstraňovanie porúch

Porucha	Možná príčina	Riešenie
1. Pílový kotúč sa po zastavení motora uvoľní	Uťahovacia matica slabo pritiahnutá	Utiahnite pravý závit uťahovacej matice
2. Motor sa nespustí	a) Zlyhanie sieťovej poistky	a) Skontrolujte sieťovú poistku
	b) Chybný predlžovací kábel	b) Vymeňte predlžovací kábel
	c) Pripojenie k motoru alebo prepínač nie sú v poriadku	c) Kontrola kvalifikovaným elektrikárom
	d) Chybný motor alebo prepínač	d) Kontrola kvalifikovaným elektrikárom
3. Nesprávny smer otáčania motora	a) Chybný kondenzátor	a) Kontrola kvalifikovaným elektrikárom
	b) Nesprávne pripojenie	b) Nechajte vymeniť polaritu zásuvky kvalifikovaným elektrikárom
4. Motor nemá žiadny výkon, poistka vyskočí	a) Prierez predlžovacieho kábla nie je dostatočný	a) Pozrite Elektrické pripojenie
	b) Preťaženie spôsobené tupým pílovým listom	b) Vymeňte pílový list
5. Spálené plochy na reznej ploche	a) Tupý pílový list	a) Naostrenie pílového listu, výmena
	b) Nesprávny pílový list	b) Vymeňte pílový list

A készüléken található szimbólumok magyarázata

		<p>Figyelem! A használati utasítás be nem tartása életveszélyt, sérülésveszélyt vagy a szerszám károsodását idézheti elő!</p>
		<p>Üzembe helyezés előtt olvassa el a kezelési útmutatót és a biztonsági előírásokat, és mindig tartsa be azokat!</p>
		<p>Viseljen védőszemüveget!</p>
		<p>Viseljen hallásvédőt!</p>
		<p>Porképződésnél viseljen légzőmaszkot!</p>
		<p>Figyelem! Sérülésveszély! Ne nyúljon a működő fűrészlaphoz!</p>
		<p>Védelmi osztály II</p>

1. Bevezetés

GYÁRTÓ:

**scheppach Fabrikation von
Holzbearbeitungsmaschinen GmbH**
Günzburger Straße 69
D-89335 Ichenhausen

TISZTELT VÁSÁRLÓ!

Sok örömet és sikert kívánunk Önnek, amikor az új készülékét használja.

KEDVES VÁSÁRLÓ!

A hatályban lévő termékefelelősségi törvény értelmében a berendezés gyártója nem vonható felelősségre a berendezésen vagy vele kapcsolatban keletkező károkért a következő esetekben:

- szakszerűtlen kezelés,
- a használati utasítások be nem tartása,
- harmadik személy által végzett, szakképzetlen javítások,
- nem eredeti alkatrészek beszerelése és cseréje,
- szakszerűtlen használat,
- az elektromos rendszer kiesése az elektromos előírások, illetve a VDE 0100, DIN 57113 / VDE 0113 szabályozások be nem tartása miatt.

JAVASLATOK:

Mielőtt a berendezést összeszerelné, és üzembe helyezné olvassa el a használati útmutató teljes szövegét. Az üzemelési utasítások célja a készülékkel való ismerkedésének megkönnyítése és a használati lehetőségeinek megismertetése.

Az üzemelési utasítások fontos megjegyzéseket tartalmaz a készülék biztonságos, szakszerű és gazdaságos használatával kapcsolatban, a veszélyek elkerülésére, a javítási költségek megspórolására, a kiesési idő csökkentésére, és a készülék megbízhatóságának és élettartamának növelésére.

A használati útmutatóba foglalt biztonsági utasításokon kívül mindenképpen be kell tartani a nemzeti érvényben lévő szabályozásokat a készülék üzemelésével kapcsolatban.

Az üzemelési utasításokat helyezze egy tiszta, műanyag mappába, hogy megóvja a szennyeződéstől és a nedvességtől, és tárolja a készülék közelében. A munka elkezdése előtt minden gépkezelőnek el kell olvasnia az utasításokat és gondosan be kell tartania őket. Csak olyan személyek használhatják a készüléket, akiket kiképeztek a gép használatáról, és a lehetséges veszélyekről, illetve kockázatokról. Be kell tartani az előírt minimális kort.

A jelen üzemelési utasításokba foglalt biztonsági előírások és a helyi országos különleges előírások kiegészítéseként be kell tartani az általánosan elismert műszaki előírásokat a fafeldolgozó szerszámgépek üzemelésénél.

2. A készülék leírása (1–4. ábra)

1. Fűrészasztal
2. Asztalbetét
3. Fűrészlap
4. Fűrészlapvédő
5. Elszívó tömlő
6. Hasítóék
7. Keresztütköző
8. Asztalbővítés
9. Tolható satu
10. Alsó állvány
11. Be-/kikapcsoló
12. Kézikerék
13. Rögzítő fogantyú
14. Vezetősín
15. Párhuzamos ütköző
16. Állólábak
- 16a Gumilábak
- 16b Állvány
17. Középső merevítő, hosszú
18. Középső merevítő, rövid
19. Hatlapú csavar
20. Hatlapú anya
21. Fűrészlapkulcs
- 21a Rugós gyűrű
- 21b Alátét
22. Merevítők

3. A szállítás terjedelme

- Nyissa ki a csomagolást és vegye ki óvatosan a készüléket a csomagolásból.
- Távolítsa el a csomagolási anyagot valamint a csomagolási- / és szállítási biztosítékot (ha létezik).
- Ellenőrizze le, hogy teljes a szállítás terjedelme.
- Ellenőrizze le a készüléket és a tartozékrészeket szállítási károkokra.
- Ha lehetséges, akkor őrizze meg a csomagolást a garanciaidő lejáratának a végéig.

FIGYELEM

A készülék és a csomagolási anyag nem gyerekjáték! Nem szabad a gyerekeknek a műanyagtasakkal, foliákkal és aprórészekkel játszaniuk! Fennáll a lenyelés és a megfulladás veszélye!

4. Rendeltetésszerű használat

Az asztali körfűrész a gép nagyságának megfelelő miniféle fa hossz- és keresztvágására (csak haránt ütközővel) szolgál. Semilyen rönkfélét nem szabad vágni.

Ezt túlhaladó bármilyen használat, nem számít rendeltetésszerűnek. Ebből adódó bármilyen kárért vagy bármilyen fajta sérülésért a használó ill. a kezelő felelős és nem a gyártó.

Csak a gépnek megfelelő fűrészlapokat (KFvagy CV-fűrészlapokat) szabad használni.

Tilos bármilyen fajta HSS – fűrészlapnak és szétválasztó tárcsának a használata. A rendeltetésszerű használat része a biztonsági utasítások figyelembe vétele is, valamint az összeszerelési és a használati utasításban levő üzemeltetési utasítások.

,A gépet kezelő és karbantartó személyeknek ezekben jártasoknak és a lehetséges veszélyekkel kapcsolatban kioktatottaknak kell lenniük. Ezen kívül legpontosabban be kell tartani az érvényes balesetvédelmi előírásokat. Figyelembe kell venni a munkaegészségügyi és a biztonságtechnikai téren fennálló balesetvédelmi szabályokat.

⚠ Figyelem!!

A készülékek használatánál, a sérülések és a károk megakadályozásának az érdekében be kell tartani egy pár biztonsági intézkedést. Ezért ezt a használati utasítást/biztonsági utasításokat gondosan át kell olvasni. Őrizze ezeket jól meg, azért hogy mindenkor rendelkezésére álljanak az információk. Ha más személyeknek adná át a készüléket, akkor kérjük kézbesítse ki vele együtt ezt a használati utasítást/biztonsági utasításokat is. Nem vállalunk felelőséget olyan balesetekért vagy károkért, amelyek ennek az utasításnak és a biztonsági utasításoknak a figyelmen kívül hagyásából keletkeznek. A gépen történő változtatások, teljesen kizárják a gyártó szavatolását és az ebből adódó károk megtérítését. Bizonyos fennmaradt rizikó tényezőket rendeltetésszerű használat esetén sem lehet teljes mértékben kizárni. A gép konstrukciója és felépítése által a következő rizikók léphetnek fel:

- a fűrészlap megérintése a nem lefedett fűrészkörben.
- a forgó fűrészlapba való nyúlás (vágási sérülés)
- A munkadarabok és munkadarabrészek visszacsapódása.
- Fűrészlaptörések.
- A fűrészlap hibás keményfémrészeinek a kivetése.
- A szükséges zajcsökkentő füllvédő használatának mellőzésekor a hallás károsodása.
- Zárt térben történő használatkor az egészségre káros faport kibocsátása.

⚠ Kérjük vegye figyelembe, hogy a készülékeink rendeltetésük szerint nem az ipari, kézműipari vagy gyári használatra lettek konstruálva. Nem vállalunk szavatosságot, ha a készülék ipari, kézműipari vagy gyári üzemek területén valamint egyenértékű tevékenységek területén van használva.

5. Fontos utasítások

⚠ **Figyelem!** Az elektromos kéziszerszámok használata során az áramütés, illetve sérülés- és tűzveszély megelőzése érdekében az alábbi alapvető biztonsági utasításokat kell betartani. Az elektromos kéziszerszám használata előtt minden utasítást olvasson el, és mindig gondosan tartsa be a biztonsági előírásokat.

Biztonságos munkavégzés

- 1 Tartsa a munkakörét rendben
 - Rendetlenség a munkakörben baleset veszélyt idézi elő.
- 2 Vegye a környezeti befolyásokat figyelembe
 - Ne tegyen ki az elektromos szerszámokat esőnek.
 - Ne használjon elektromos szerszámokat nedves vagy vizes környezetben.
 - Gondoskodjon jó megvilágításról.
 - Ne használjon elektromos eszközöket ott, ahol tűz- és robbanásveszély keletkezhet.
- 3 Óvja magát az áramütés elől
 - Kerülje el a földelt részekkel való testi érintkezést, mint például csövekkel, fűtőtestekkel, tűzhelyekkel, hűtőszekrényekkel.

- 4 Tartsa a gyerekeket távol!
 - Ne engedje meg más személynek, hogy megérintsék a szerszámot vagy a kábelt, tartsa őket a munkakörétől távol.
- 5 Tárolja a szerszámait biztonságosan
 - Nem használt szerszámokat egy száraz, zárt térben és a gyerekek számára nem elérhetően kell tárolni.
- 6 Ne terhelje túl a szerszámait
 - Jobban és biztonságosabban dolgozik a megadott teljesítményi körben.
- 7 Használja a kellő szerszámot
 - Ne használjon túl gyenge szerszámokat vagy kiegészítő egységeket nehéz munkákra.
 - Ne használja a szerszámokat olyan célokra és munkákra, melyekre ezek nincsenek előrelátva; mint például ne használjon kézi körfűrészeket fák kivágására vagy ágak levágására.
 - Ne használja az elektromos kéziszerszámot tűzifa fűrészelésére.
- 8 Viseljen megfelelő munkaruhát
 - Ne viseljen bő ruhát vagy ékszert. Ezeket elkapathatják a mozgó részek.
 - A szabadban történő munkálatoknál gumikesztyű és tapadós lábbeli ajánlatos.
 - Hosszú hajnál viseljen hajhálót.
- 9 Használjon védőfelszerelést
 - Viseljen védőszemüveget.
 - Viseljen légzőmaszkot, ha a munka során por keletkezik.
- 10 Csatlakoztassa rá a porelszívóberendezést
 - Ha a porelszívási berendezésekhez csatlakozások vannak, akkor győződjön meg arról, hogy ezek rá is vannak kapcsolva és használva is vannak.
 - A készüléket zárt térben csak megfelelő elszívó berendezés mellett működtetheti.
- 11 Biztosítsa a munkadarabot
 - Használjon szorítószerveket vagy egy satut a munkadarab befogására. Ezáltal ez biztonságban van rögzítve mint kézzel és lehetővé teszi a gép mindkét kézzeli kezelését.
 - Hosszú munkadaraboknál egy kiegészítő támasztékra (asztal, bakok stb.) van szükség ahhoz, hogy a gép ne dőljön fel.
 - A munkadarabot mindig erősen nyomja a munkalapra és az ütközőhöz, hogy ne billegjen és ne forduljon el.
- 12 Kerülje a rendellenes testtartást
 - Biztosan álljon és mindig őrizze meg egyensúlyát.
 - Ne tartsa a kezét olyan ügyetlen helyzetekben, amelyek esetén hirtelen megcsúszás miatt egyik vagy mindkét keze hozzáérhet a fűrészlaphoz.
- 13 Ápolja gondosan a szerszámait
 - Tartsa a szerszámait élesen és tisztán, hogy jól és biztosan tudjon dolgozni.
 - Kövesse a karbantartási előírásokat és az utasításokat a szerszámcsereére.
 - Ellenőrizze le rendszeresen a csatlakozási vezetőket és a kábeljárt, és sérülés esetén cseréltesse ki azt egy elismert szakember által.
 - Ellenőrizze le rendszeresen a hosszabbító kábelt és sérülés esetén cserélje ki.
 - Tartsa a fogantyúkat szárazon valamint olaj és zsír mentesen.
- 14 Húzza ki a csatlakozódugót az aljzatból
 - A laza szilánkokat, forgácsot vagy beszoruló fadarabokat soha ne próbálja meg a fűrészlap mozgása közben kiszedni.
 - Ha nem használja az elektromos kéziszerszámot, javítás előtt és a szerszámok, pl. fűrészlap, fűrész és marógép cseréjénél.

- 15** Ne hagyjon benne semmilyen szerszámkulcsot dugva
- Bekapcsolás előtt ellenőrizze le, hogy a kulcsok és a beállító szerszámok el vannak távolítva.
- 16** Ügyeljen arra, hogy a gép ne indulhasson el akaratlanul
- Mielőtt a csatlakozót bedugja az aljzatba, győződjön meg arról, hogy a gép kapcsolója kikapcsolt állapotban van.
- 17** Kültéren használjon hosszabbító kábelt
- A szabadban csak szabadtéri használatra alkalmas, ennek megfelelő jelöléssel ellátott hosszabbító kábelt alkalmazzon.
 - A kábeldobot csak letekert állapotban használja.
- 18** Legyen figyelmes
- Figyeljen arra, amit csinál. Munkája során kellő körültekintéssel járjon el. Ne használja az elektromos kéziszerszámot, ha nem tud rá figyelni.
- 19** Ellenőrizze le a készülékét sérülésekre
- A szerszám további használata előtt a védőberendezéseket vagy enyhén sérült részeket gondosan megvizsgálni, hibátlan és meghatározásuknak megfelelő működésükre.
 - Vizsgálja meg, hogy a mozgó részek működése rendben van, és hogy nem szorulnak vagy nincsenek károsulva részeik. Ahhoz, hogy a készülék biztonsága biztosítva legyen minden résznek helyesen fel kell szerelve lennie.
 - A mozgatható védőfedeleket nyitott állapotban nem szabad beszorítani.
 - Amennyiben a használati utasításban nincs más megadva, a károsult biztonsági berendezéseket és részeket szakszerűen egy elismert szakműhely által kell megjavíttatni vagy kicseréltetni.
 - A károsult kapcsolókat egy vevőszolgálati műhely által muszáj kicseréltetni.
 - Ne használjon hibás vagy sérült csatlakozó vezetékeket.
 - Ne használjon olyan elektromos szerszámokat ahol a kapcsolót nem lehet be- és kikapcsolni.
- 20 FIGYELEM!**
- Kettős gérvágások esetén különösen óvatos legyen.
- 21 FIGYELEM!**
- Más betétszerszámok és tartozékok használata sérülésveszélyt okozhat Önnek.
- 22** Az elektromos kéziszerszám javítását villanszerelővel végeztesse
- Ez az elektromos szerszám megfelel a rávonatkozó biztonsági határozatoknak. Javításokat csak egy villamosági szakember végezheti el, különben balesetek érhetik a használót.
- 23** Ne használja fel a kábelt más célokra
- Ne hordja a szerszámot a kábelnél fogva, és ne használja fel a kábelt a csatlakozó dugó kihúzására a dugaszoló aljzataból. Óvja a kábelt hőségtől, olajtól és éles szélektől.

TOVÁBBI BIZTONSÁGI TUDNIVALÓK

1 Biztonsági intézkedések

- **▲ Figyelmeztetés!** Nem szabad deformált vagy repedezett fűrészszalagokat használni.
- Az elhasznált asztalbetétet cserélje ki.
- Csak a gyártó által ajánlott, az EN 847-1 szabvány előírásainak megfelelő fűrészlapokat használjon.
- **▲ Figyelmeztetés!** A fűrészlap kicserélésénél ügyelni kell arra, hogy a vágásszélesség ne legyen kisebb és a fűrészlap törzslapvastagsága ne legyen nagyobb a hasítóék vastagságától.
- Ügyeljen arra, hogy a vágni kívánt anyagnak megfelelő fűrészlapot válasszon.

- Viseljen megfelelő személyes védőfelszerelést. Ehhez az alábbiak tartoznak:
- Hallásvédő a nagyothallás kialakulási kockázatának csökkentése érdekében,
- Légzőmaszk a veszélyes por belégzési kockázatának csökkentése érdekében,
- A fűrészlapokkal és nyersanyagokkal végzett munka során viseljen kesztyűt. Amikor csak lehetséges, tartóban szállítsa a fűrészlapokat.
- Viseljen védőszemüveget. A munka során keletkező szikrák vagy a készülékből kirepülő szilánkok, forgácsok és porok miatt elveszítheti a látását.
- Fa fűrészelése esetén az elektromos kéziszerszámot csatlakoztassa egy porfelfogó berendezésre. A porképződést többek között a megmunkált anyag, a helyi leválasztás (gyűjtés vagy forrás) és a fedél/vezetőlemezek/vezetékek helyes beállítása is befolyásolja.
- Ne használjon erősen ötvözött gyorsacélból (HSS-acél) készült fűrészlapot.
- A toló botot vagy a toló bothoz levő fogantyút nemhasználat esetén mindig a gépen kellene megőrizni.

2 Karbantartás és javítás

- Minden egyes beállítási és javítási munkálat előtt húzza ki a hálózati csatlakozót.
- A zajképződést különböző tényezők befolyásolják, többek között a fűrészlapok minősége, valamint a fűrészlap és az elektromos kéziszerszám állapota. Lehetőség szerint zajcsökkentett szerkezetű fűrészlapokat használjon. A zaj csökkentéséhez rendszeresen végezze el az elektromos kéziszerszám és toldatainak karbantartását, illetve szükség esetén javítását is.
- Ha az elektromos kéziszerszám, a védőberendezések vagy a szerszám toldatainak működésében hibát észlel, azonnal értesítse a biztonságért felelős személyt.

3 Biztonságos munkavégzés

- A munkadarabnak a fűrészlap meletti elvezetéséhez egy toló botot vagy a fogantyút a tolófával használni.
- Hasítóéket használni és rendszeresen beállítani.
- Használni a felső fűrészlapvédőberendezést és rendszeresen beállítani.
- Csak olyan fűrészlapokat használjon, amelyek legmagasabb megengedett fordulatszámja nem alacsonyabb az asztali körfűrész legnagyobb főorsó-fordulatszámánál, és amely megfelel a vágni kívánt anyag típusának.
- Ne végezzen el szegélyezést vagy hornyolást, anélkül hogy egy megfelelő védőberendezés, mint például egy alagútvédőberendezés, fel nem lenne szerelve.
- A körfűrészeket nem szabad hasítóékok (a munkadarabokban befejezett horony) fűrészelésére felhasználni.
- Az elektromos kéziszerszám szállításához csak a szállítószervezeteket használja. A védőszerkezeteket soha ne használja kezelésre vagy szállításra.
- Ügyeljen arra, hogy szállítás közben a fűrészlap alsó részét például a védőszerkezet takarja.
- Ügyeljen arra, hogy csak a gyártó által megadott céloknak megfelelő távtartó tárcsákat és orsókarikákat használjon.
- A gép körül a talaj mindig egyenes, tiszta és lehullott daraboktól, pl. forgácstól és vágási maradványoktól mentes legyen.
- Munkavégzés során mindig a fűrészlaptól oldalra álljon

- A vágási területről soha ne távolítsa el vágási maradványokat vagy egyéb munkadarabrészeket addig, amíg a gép működésben van és a fűrészfelület még nem került nyugalmi állapotba.
- Ügyeljen arra, hogy lehetőség szerint a gép mindig egy munkapadra vagy asztalra legyen rögzítve.
- A billenés elkerülése érdekében biztosítsa a hosszú munkadarabokat a vágási folyamat végén (pl. legurulási állvány vagy bak).
- **△ FIGYELEM!** A laza töredékeket, forgácsot vagy a beszorult farészeket sohasem szabad a forgó fűrészlapnál eltávolítani.
 - Az üzemzavarok elhárításánál vagy a beszorult fadarabok eltávolításánál kapcsolja ki a gépet.
 - Kihúzni a hálózati csatlakozót -
 - Átalakítási, beállítási, mérési és tisztítási munkák kizárólag a motor leállítása után végezhető. - **Húzza ki a hálózati csatlakozót** -
 - Bekapcsolás előtt bizonyosodjon meg arról, hogy a kulcsokat és a beállító szerszámokat eltávolította.

Figyelmeztetés! Ez az elektromos kéziszerszám működés közben elektromágneses mezőt képez. Ez a mező bizonyos körülmények között befolyásolhatja az aktív és passzív orvosi implantátumok működését. A súlyos és halálos sérülések veszélyének csökkentése érdekében javasoljuk, hogy az orvosi implantátumokkal élő személyek az elektromos kéziszerszám kezelése előtt kérjék ki orvosuk és az implantátum gyártójának véleményét.

A FÜRÉSZLAPOK KEZELÉSÉRE VONATKOZÓ BIZTONSÁGI UTASÍTÁSOK

- 1 Csak akkor illesszen be betétszerszámokat, ha a kezelésüket tökéletesen ismeri.
- 2 Figyeljen a legmagasabb fordulatszámra. A betétszerszámon megadott legmagasabb fordulatszám átlépése tilos. Tartsa be a fordulatszám-tartományt, ha meg van adva.
- 3 Ügyeljen a motor és a fűrészlap forgásirányára.
- 4 Ne használjon megrepedt betétszerszámokat. A megrepedt betétszerszámokat selejtezze ki. Ezeket tilos megjavítani.
- 5 A befogófelületeket tisztítsa meg a szennyeződésektől, zsírtól, olajtól és víztől.
- 6 Körfűrészlapok furatainak csökkentésére soha ne használjon különálló redukáló gyűrűket vagy perlyeket.
- 7 Ügyeljen arra, hogy a betétszerszámot biztosító rögzített redukáló gyűrűk átmérője ugyanakkora és a vágási átmérő legalább 1/3-a legyen.
- 8 Bizonyosodjon meg arról, hogy a rögzített redukáló gyűrűk egymással párhuzamosak.
- 9 Óvatosan működtesse a betétszerszámokat. Legjobb, ha ezeket az eredeti csomagolásukban vagy különleges tartókban tárolja. A fogásbiztonság javítása és a sérülésveszély további csökkentése érdekében viseljen védőkesztyűt.
- 10 A betétszerszámok használata előtt ellenőrizze, hogy minden védőszerkezet helyesen rögzül-e.
- 11 Használat előtt győződjön meg arról, hogy az Ön által használt összes betétszerszám megfelel az elektromos kéziszerszám műszaki követelményeknek, illetve hogy ezek helyesen rögzülnek-e.
- 12 A tartozék fűrészlapot csak fa fűrészelésére használja, fémek megmunkálására soha.

Maradék kockázatok

A gép a technika mai állása és az elfogadott biztonságtechnikai szabályok szerint készült. Ennek ellenére munka közben felléphetnek egyedi maradék kockázatok.

- Ha nem megfelelő elektromos csatlakozóvezetékkel használja, az áram veszélyeztetheti az egészségét.
- Ezen túlmenően minden meghozott óvintézkedés ellenére vannak nem nyilvánvaló maradék kockázatok.
- A maradék kockázatok minimalizálhatók, ha összességében betartja a „Biztonsági utasítások” a „Rendeltetésszerű használat” c. fejezetek, valamint a kezelési útmutató tartalmát.
- Szükségtelenül ne terhelje a gépet: a fűrészelés közbeni erős nyomás gyorsan károsítja a fűrészlapot, emiatt pedig csökken a gép feldolgozás közbeni teljesítménye és a vágás pontossága.
- Műanyag vágásakor mindig használjon csíptetőket: a fűrészelni kívánt alkatrészeket mindig két csíptető közé rögzítse.
- Kerülje a gép véletlen elindulását: a csatlakozó bedugásakor az üzemi kapcsológombot ne nyomja meg.
- A kézikönyvben ajánlott szerszámot használja. Így érheti el a fejezőfűrész optimális teljesítményét.
- A gép működése közben soha ne nyúljon kezeivel a megmunkálási területre. Bármilyen művelet végeztése előtt engedje el a fogantyún található gombot és kapcsolja ki a gépet.
- A gép üzemeltetése közben tartsa távol a kezét a munkatartománytól.
- Mielőtt beállítási vagy karbantartási munkálatokat végezne, engedje el az indítógombot és húzza ki a hálózati csatlakozót.

6. Technikai adatok

Váltakozóáramú motor	220-240 V~ 50Hz
Teljesítmény	2000 Watt
Üzem mód	S6 25%*
Üresjárat fordulat szám n_0	5000 min ⁻¹
Keményfémfűrészlap	Ø 250 x Ø 30 x 2,8 mm
A fogak száma	24
A hasítóék vastagsága	2 mm
Asztal nagyság	940 x 642 mm
Vágási magasság max. 90°	85 mm
Vágási magasság max. 45°	65 mm
Magasságelállítás	0 - 85 mm
Elfordítási határkör	0 - 45°
Elszívócsatlakozás	Ø 35 mm
Tömeg	20,0 kg

* S6 25% üzemmód: folyamatos működés szakaszolt terheléssel (futásidő 10 perc). A motor túlzott felmelegedésének elkerülésére a motor a futásidő 25%-a alatt a megadott névleges teljesítményen üzemeltethető, a futásidő 75 %-a alatt terhelés nélkül kell működtetni.

Zaj és vibráció

Ennek a fűrésznek a zajértékei az EN 61029 szerint lettek mérve.

Hangnyomás mérték L_{PA}	91,0 dB(A)
Bizonytalanság K_{PA}	3 dB
Hangteljesítmény mérték L_{WA}	104,0 dB(A)
Bizonytalanság K_{WA}	3 dB

Viseljen hallásvédőt.

A zaj halláskárosodást okozhat. Az összesített rezgésértékeket (a három irány vektorösszege) az EN 61029 szabvány előírásainak megfelelően határoztuk meg.

7. Beüzemeltetés előtt

- A gépet stabilan kell felállítani, ez annyit jelent hogy egy munkapadra.
- A beüzemeltetés előtt minden burkolatnak és biztonsági berendezésnek szabályszerűen fell kell szerelnie.
- A fűrészlapnak szabadon kell tudni futnia.
- Ügyeljen a már megmunkált fán az idegen alkatrészekre, mint például szögekre vagy csavarokra stb.
- A be-/kikapcsoló felszerelése előtt a fűrészlapnak helyesen fel kell szerelnie. A mozgatható részeknek könnyűjáratáuknak kell lenniük.
- Rákapcsolás előtt leellenőrizni, hogy az adattáblán megadott adatok megegyeznek e a hálózati adatokkal.
- A gépet csak egy előírásosan beépített földelt-konnectorra rácsatlakoztatni, amely legalább 16A-al le van biztosítva.

8. Felépítés

Figyelem! A körfűrészben történő minden karbantartási, átszerelési és összeszerelési munka előtt kihúzni a hálózati csatlakozót.

Helyezze a berendezéshez tartozó összes alkatrészt egy sima felületre. Válogassa szét az azonos darabokat.

Megjegyzés: Ha a kötések csavar (kerek fejű/ vagy hatszögletű), hatlapú anya és alátét rögzíti, az alátétet a csavaranya alá kell helyezni.

A csavarokat mindig kívülről helyezze be, majd belülről anyával rögzítse a kötések. **Megjegyzés:** A csavaranyákat és csavarokat a szerelés során csak olyan mértékben húzza meg, hogy ne eshessenek ki.

Ha már a végső összeszerelés előtt erősen rögzíti az anyákat és csavarokat, a végső összeszerelés nem hajtható végre.

8.1 Az asztalbővítés felszerelése (5. ábra)

1. Fordítsa át a fűrész, és az asztallal lefelé helyezze a talajra.
2. Állítsa az (1) fűrészasztallal egy síkba a (8) asztalbővítést.
3. A (19) hatlapú csavarokkal, a (20a) rugós alátétekkel, a (20b) alátétekkel és a (20) hatlapú anyákkal lazán rögzítse a (8) asztalbővítést az (1) fűrészasztalra. Ismétlje meg a folyamatot a szemköztli oldalon.
4. A (19) hatlapú csavarokkal, a (20a) rugós gyűrűvel és a (20b) alátétekkel csavarozza a (22) merevítőket a (8) asztalbővítésekre.
5. Végül húzza szorosra az összes csavart.

8.2. Az állvány szerelése (6–7.1 ábra)

1. Csavarozza a négy (18) állólábat a (22) merevítővel együtt a (19) hatlapú csavarokkal, a (20a) rugós alátétekkel és a (20b) alátétekkel a fűrészre (6. ábra). Ehhez használja a csomagban található (21a) fűrészlapkulcsot. (6. ábra).
2. Ekkor helyezze fel a (16a) gumilábakat a (16) állólábakra (6.1. ábra).

3. Ekkor a (19) hatlapú csavarokkal és a (20) hatlapú anyákkal a (16) állólábakra csavarozhatja a (18) hosszú középső merevítőt és a (17) rövid középső merevítőt. **Ügyeljen arra, hogy a mindig az azonos merevítők legyenek egymással szemben. A hosszú középső merevítőket (18 – „B” jelölésű) a fűrész kezelőoldalával párhuzamosan kell felhelyezni. (7. ábra).**
 4. A hátsó állólábakon lévő furatokba lazán rögzítse a (16b) állványt a 2 db (19) hatlapú csavarral, a (20a) rugós alátétekkel, a (20b) alátétekkel és a (20) hatlapú anyákkal. (7.1. ábra)
- Figyelem!**
Mindkét állványt a gép hátoldalára rögzítse!
5. Végül húzza szorosra az alsó állvány összes csavarját és anyáját.

8.3 A hasítóék beállítása / felszerelése (8–10. ábra)

△ Figyelem! Húzza ki a hálózati csatlakozódugót!

Az üzembe helyezés előtt ellenőrizni kell a (6) hasítóék beállítását.

1. Állítsa max. vágásmélységre a (3) fűrészlapot, vigye 0°-os állásba, és rögzítse.
2. A (2) asztalbetét (23) csavarját egy csillagcsavarhúzó segítségével oldja ki, és vegye ki a (22) asztalbetétet (8. ábra).
3. A (3) fűrészlap és a (6) hasítóék közötti távolság max. 5 mm legyen. (9. ábra)
4. Lazítsa meg a (24) rögzítőcsavart és húzza ki a (6) hasítóéket, míg a megfelelő távolságot be nem állította (10. ábra).
5. Ismét húzza meg a (24) rögzítő csavart, és szerelje fel a (2) asztalbetétet.

8.4 A fűrészlapvédő felszerelése / leszerelése (11–12. ábra)

1. A (6) fűrészlapvédőt a (25) csavarral együtt felülről helyezze a (6) hasítóékre, úgy, hogy a csavar szorosan illeszkedjen a (6) hasítóék hosszú lyukába.
2. Ne húzza túl szorosra a (25) csavart, a (6) fűrészlapvédőnek szabadon kell mozognia.
3. Helyezze az (5) elszívó tömlőt a (26) elszívó adapterre és a fűrészlapvédő (4) elszívó csomkjára. Csatlakoztasson egy megfelelő forgácsoló berendezést a (26) elszívó adapterre.
4. A leszerelés fordított sorrendben történik.

Figyelem!

A fűrészelés megkezdése előtt a (4) fűrészlapvédőt le kell sülyeszteni a fűrészelt darabra.

8.5 Az asztalbetét cseréje (8. ábra)

1. A (2) asztalbetétet kopás vagy sérülés esetén ki kell cserélni, különben megnő a sérülésveszély.
2. Egy csillagcsavarhúzó segítségével csavarja ki a (23) csavart.
3. Vegye ki a kopott (2) asztalbetétet.
4. Az új asztalbetét felszerelése fordított sorrendben történik.

8.6 A fűrészlap felszerelése/cseréje (13. ábra)

1. **Figyelem! Húzza ki a hálózati csatlakozódugót, és viseljen védőkesztyűt.**
2. Szerelje le a (4) fűrészlapvédőt (lásd: 8.4)
3. Távolítsa el a (2) asztalbetétet (lásd: 8.5)
4. Oldja ki az anyát, miközben egy (21a) fűrészlapkulcsot helyez az anyára, és egy további (21b) fűrészlapkulccsal ellentart a motortengelynél (lásd a 22. ábrát).

5. **Figyelem!** Forgassa az anyát a fűrészlap forgásirányába.
 6. Vegye le a külső karimát, és húzza le a régi fűrészlapot és a belső karimát.
 7. Az új fűrészlap felszerelése előtt gondosan, egy drótkéfével tisztítsa meg a fűrészlap karimáját.
 8. Az új fűrészlapot fordított sorrendben helyezze vissza és rögzítse.
- Figyelem! Ügyeljen a futásirányra, a fogak vágó ferde széleinek futásirányba, vagyis előre kell mutatnia.**
9. Szerelje vissza és állítsa be a (2) asztalbetétet, valamint a (4) fűrészlapvédőt (lásd: 8.4 és 8.5)
 10. Mielőtt ismét megkezdi a munkát a fűrészszel, ellenőrizze a védőberendezések működőképességét.

9. Kezelés

9.1 Be/ki-kapcsoló (képek 14)

- A zöld taszter „I” (11) nyomása által lehet a fűrészelt bekapcsolni. A fűrészelés kezdete előtt megvárni, amíg a fűrészlap el nem érte a maximális fordulatszámát.
- A fűrész újbolí kikapcsolásához, meg kell nyomni a piros „0” (11) tasztert.

9.2 Vágásmélység (képek 14)

A kézikerek (12) csavarása által lehet a fűrészlapot (3) a kívánt vágási mélységre beállítani.

- Az óramutató járásával ellentétesen: kisebb vágásmélység
- Az óramutató járásának irányába: nagyobb vágásmélység

Egy próbavágás által leellenőrizni a beállítást.

9.3 A szög beállítása (képek 14)

Az asztali körfűrészszel az ütközősínhez képest balra döntött, 0°-45°-os szögvágást is végezhetünk.

△ Minden vágás előtt ellenőrizze, hogy az ütközősín (e), a keresztirányú vezető (13) és a fűrészlap (5) ne ütközessen.

- Megereszteni a rögzítő fogantyút (13).
- A (12) kézikerek benyomásával és forgatásával állítsa be a kívánt szögméretet a skálán.
- A kívánt szögmértékben bereteszelni a rögzítő fogantyút (13).

9.4 Párhuzamos ütközővel végzett munka

9.4.1 Az ütközőmagasság beállítása (15–16. ábra)

- A (15) párhuzamos ütköző (27) ütközősínre két különböző magasságú vezetőfelülettel rendelkezik.
- A vágni kívánt anyagok vastagságától függően a (27) ütközősínre vastag anyagokhoz (25 mm feletti munkadarab-vastagság) a 16. ábra, vékony anyagokhoz (25 mm alatti munkadarab-vastagság) a 15. ábra alapján kell használni.

9.4.2 Az ütközősín forgatása (15–16. ábra)

- A (27) ütközősín forgatásához először lazítsa meg a (28) szárnyas anyákat.
- Ekkor lehúzhatja a (27) ütközősínre a (29) vezetősínre, és a megfelelő vezetéssel ismét feltolhatja ide.
- Ismét húzza meg a (28) szárnyas anyákat.
- A (27) ütközősín tetszés szerint a (29) vezetősínre balra vagy jobbra helyezhető el. Ehhez még szerelje fel a csavarokat a (29) vezetősín másik oldaláról.

9.4.3 A vágásszélesség beállítása (17. ábra)

- Fadarabok hosszanti vágásánál a (15) párhuzamos ütközőt kell használni.
 - A (15) párhuzamos ütközőt a (3) fűrészlap jobb oldalára kell felszerelni.
 - Felülről helyezze a (15) párhuzamos ütközőt a párhuzamos ütköző (14) vezetősínre.
 - A párhuzamos ütköző (14) vezetősínre 2 skála található, amelyek a (15) párhuzamos ütköző és a (3) fűrészlap közötti távolságot mutatják.
 - Attól függően válassz ki a megfelelő skálát, hogy a (27) ütközősínre vastag vagy vékony anyag megmunkálásához fordította-e el.
- Magas ütközősín (vastag anyag):
Alacsony ütközősín (vékony anyag):
- A kémlelőablaknál állítsa be a kívánt méretre a (15) párhuzamos ütközőt, és a párhuzamos ütköző (30) excenterkarjával rögzítse.

9.5 Keresztütköző (18. ábra)

- Tolja a (13) keresztütközőt a fűrészasztal egyik (31) hornyába.
- Lazítsa meg a (32) markolatos csavart.
- Forgassa el a (7) keresztütközőt, míg el nem éri a kívánt szögméretet. A keresztütközőn található nyíl mutatja a beállított szöget.
- Ismét húzza szorosra a (32) recézett csavart.
- A (34) ütközősín eltolható a (13) keresztütközőnél. Ehhez oldja ki a (33) anyákat, és tolja a (34) ütközősínre a kívánt pozícióba. Ismét húzza meg a (34) anyákat

Figyelem!

- Ne tolja túlságosan a fűrészlap irányába a (34) ütközősínre.
- A (34) ütközősín és a (3) fűrészlap közötti távolság kb. 2 cm legyen.

10. Üzem

Munkavégzési utasítások

Minden új beállítás után, a beállított mértékek felülvizsgálatára egy próbavágást ajánlunk.

A fűrész bekapcsolása után, mielőtt véghezvinné a vágást megvárni, míg a fűrészlap a maximális fordulatszámát el nem érte.

Biztosítsa a hosszú munkadarabokat a vágási folyamat végéig lebillenés ellen! (mint például legurulási állvány stb.)

Figyelem a bevágásoknál!

A készüléket csak elszívással üzemeltetni.

Az elszívócsatornákat rendszeresen leellenőrizni és megtisztítani.

A fűrészlapok megfelelősége:

- 24 fog:
Puha anyagok, magas forgácsleszedés, durva vágásképek
- 48 fog:
Kemény anyagok, alacsonyabb forgácsleszedés, finomabb vágásképek

10.1 A hosszvágások véghezvitele (képek 19)

Ennél egy munkadarab hosszirányba lesz átvágva.

A munkadarabnak az egyik széle a párhuzamos ütköző (15) ellen lesz nyomva, míg a lapos oldala a fűrészasztalra (1) felfekszik. A fűrészlapvédőt (4) mindig le kell eresztetni a munkadarabra.

A hosszvágásnál sohasem szabad a munkaállásnak a vágás lefolyásával egy vonalban lennie.

- A párhuzamos ütközőt (15) a munkadarabmagasságnak és a kívánt szélességnek megfelelően beállítani. (lásd a 9.4-et)
- Bekapcsolni a fűrész
- A kezeket zárt ujjakkal laposan ráfektetni a munkadarabra és a munkadarabot a párhuzamos ütköző (15) mentén a fűrészlapba (3) tolni.
- A jobb vagy bal kézzeli oldali vezetés (a párhuzamos ütköző helyzetétől függően) mindig csak a fűrészlapvédő (4) elülső széléig legyen.
- A munkadarabot mindig a hasítóék (6) végéig áttolni.
- A vágási hulladék a fűrészasztalon (1) fekvé maradjon, míg a fűrészlap (3) ismét nyugalmi állásba nem került.
- Biztosítsa a hosszú munkadarabokat a vágási folyamat végéig lebillenés ellen! (mint például legurulási állvány stb.)

10.1.1 Keskeny munkadarabok vágása (képek 20)
120 mm alatti szélességű munkadarabok hosszvágását okvetlenül egy tolóbot (9) segítségével kell elvégezni. A tolóbot benne van a szállítási terjedelmében. Az elkopott vagy károsult tolóbotot azonnal kicserélni.

- Állítsa be a párhuzamvezetőt a munkadarab szélességének megfelelően. (Lásd: 9.4)
- Két kézzel tolja előre a munkadarabot, a fűrészlap közelében feltétlenül használjon tolórudat (9) a művelethez.
- A munkadarabot mindig a hasítóék végéig tolja.

⚠ **Figyelem!** Rövid munkadarabok esetén már a vágás elején használni kell a tolórudat.

10.1.2 A ferdevágások véghezvitele (képek 21)
Ferde vágások már alapjába véve csak a párhuzamos ütköző (15) felhasználásával végzendők el.

- Beállítani a fűrészlapot a kívánt szög mértékre. (lásd a 9.3-at)
- A munkadarab szélessége és magassága szerint beállítani a párhuzamos ütközőt (15) (lásd a 9.4-at).
- A munkadarab szélességnek megfelelően elvégezni a vágást (lásd 10.1)

10.2 Harántvágások véghezvitele (képek 22)

- A fűrészasztal két horonya (31a/b) közül az egyikbe betolni a harántütközőt (13) és beállítani a kívánt szög mértékre. (lásd a 9.5-öt) Ha a fűrészlapot (3) még kiegészítően ferdén kell beállítani, akkor azt a horonyt (31a) kell használni, amely nem engedi Ön kezét és a harántütközőt a fűrészlapvédővel érintkezésbe kerülni.
- Használni az ütközősint.
- A munkadarabot feszesen a harántütköző (7) ellen nyomni.
- Bekapcsolni a fűrész.
- A vágás elvégzéséhez a harántütközőt (7) és a munkadarabot a fűrészlap irányába tolni.
- **Figyelem:**
Mindig a vezetett munkadarabot tartani, sohasem a szabad munkadarabot amely le lesz vágva.
- A haránt ütközőt (7) mindig annyira előretolni, amíg teljesen át nincs vágva a munkadarab.
- Ismét kikapcsolni a fűrész. A fűrész hulladékot csak akkor eltávolítani, ha a fűrészlap leállt.

10.3 Préseltlemezek vágása

Ahhoz hogy megakadályozza a vágásszélek kitérését a préseltlemezek vágásánál, a fűrészlapnak (3) nem kellene 5 mm-el a munkadarab vastagságától nagyobbra beállítva lennie (lásd a 9.2-es pontot is).

11. Szállítás

1. Szállítás előtt kapcsolja ki az elektromos berendezést, és válassza le az elektromos hálózatról.
2. Az elektromos berendezést legalább két ember vigye, ne fogják meg az asztalbővítőt.
3. Védje az elektromos berendezést az ütések, rázkódásoktól és erős vibrációtól, amelyek például járművel történő szállítás során fordulnak elő.
4. Biztosítsa a készüléket elcsúszás ellen, biztonságosan leköttözni.
5. Ne használja a védőberendezéseket

12. Karbantartás

⚠ **Figyelem!** Minden egyes beállítás, karbantartás vagy javítás előtt húzza ki a hálózati csatlakozót!

12.1 Általános karbantartási intézkedések

- Tartsa a védőberendezéseket, szellőztető réseket és a gépházat annyira por- és piszokmentesen, amennyire csak lehet. Dörzsölje le a készüléket egy tiszta posztóval vagy pedig fújja ki alacsony nyomás alatt sűrített levegővel.
- Ajánljuk, hogy minden használat után azonnal kitisztítsa a készüléket.
- Tisztítsa meg rendszeresen egy nedves posztóval és egy kevés kenőszappannal a készüléket. Ne használjon tisztító vagy oldó szereket; ezek megtámadhatják a készülék műanyagrészeit. Ügyeljen arra, hogy ne kerüljön víz a készülék belsejébe.
- A szerszám élettartamának növelése érdekében havonta egyszer olajozza meg a forgórészeket. A motort ne olajozza.

12.2 Szénkefék

- Túlságos szikraképződés esetén, ellenőriztesse le a szénkeféket egy villamossági szakember által. **Figyelem!** A szénkeféket csak egy villamossági szakembernek szabad kicserélni.

13. Tárolás

A készüléket és tartozékait sötét, száraz és fagymentes helyen, gyermekektől elzárva tárolja. Az optimális tárolási hőmérséklet 5 és 30 °C között van.

Az elektromos szerszámot az eredeti csomagolásában őrizze.

Takarja le az elektromos szerszámot, ezzel védve portól és nedvességtől.

A nem használt fűrészlapokat és kulcsokat a 23. ábrán látható módon raktározhatja el.

A kezelési útmutatót az elektromos szerszámmal együtt őrizze meg.

14. Elektromos csatlakoztatás

A telepített elektromos motor üzemkészen csatlakozik. A csatlakozás megfelel a vonatkozó VDE és DIN rendelkezéseknek.

A vásárló által használt hálózati csatlakozó, valamint az általa használt hosszabbító vezeték is feleljen meg ezeknek az előírásoknak.

- A termék megfelel az EN 61000-3-11 szabvány előírásainak és különleges csatlakoztatási feltételek vonatkoznak rá. Ez azt jelenti, hogy szabadon választhat, tetszőleges csatlakozási pontok használatával nem engedélyezett a termék használata.

- A kedvezőtlen hálózati körülmények a készülék átmeneti feszültség-ingadozásához vezethetnek.
- A termék csak használata csak tulajdonságokat, amelyek folyamatos áramerősség kapacitás legalább 100 fázisonként és szolgáltatja a forgalmazási rendszer névleges feszültsége 230V.
- Be kell, hogy győződjön meg arról felhasználó, ha szükséges, a hatalom cég, amely folyamatos áramterhelhetőségig a rendszer a csatlakozási ponton elegendő, konzultálva a nyilvános hálózat csatlakozni a termék.

Fontos utasítások

A motor túlterhelés esetén magától kikapcsol. Az (eltérő hosszúságú) hűtési idő után visszakapcsolhatja a motort.

Sérült elektromos csatlakozóvezetékek

Az elektromos csatlakozóvezetékek szigetelése gyakran megsérül.

Ennek oka lehet:

- Nyomási helyek, ha a csatlakozóvezeték ablak- vagy ajtóréseken keresztül vezet.
- Törési helyek a csatlakozóvezetékek szakszerűtlen rögzítése vagy vezetése miatt.
- Vágási helyek a csatlakozóvezetéken való áthajtás miatt.
- Szigetelés sérülése a fali csatlakozóaljzatból való kiszakítás miatt.
- Repedések a szigetelés öregedése miatt.

Ne használjon ilyen sérült elektromos csatlakozóvezetéseket, mivel használatuk a szigetelés sérülése miatt életveszélyes.

Rendszeresen ellenőrizze, hogy nem sérültek-e az elektromos csatlakozóvezetékek. Ügyeljen arra, hogy ellenőrzéskor a vezeték ne csatlakozzon a hálózatra.

Az elektromos csatlakozóvezetékek feleljenek meg a vonatkozó VDE és DIN rendelkezéseknek. Csak H05VV-F jelölésű csatlakozóvezetéseket használjon. A csatlakozóvezeték típusának megnevezését a vezetéken fel kell tüntetni.

Váltóáramú motor

- A hálózati feszültség 230 V~ legyen
 - A 25 méternél rövidebb hosszabbító vezeték keresztmetszete 1,5 négyzetmilliméter legyen.
- Az elektromos berendezések csatlakoztatását és javítását csak villamossági szakember végezheti. Kérdései esetén az alábbi adatokat kell megadni:
- Motor áramtípusa
 - Gép típuscímkéjének adatai
 - Motor típuscímkéjének adatai

15. Hibaelhárítás

Rendellenesség	Lehetséges ok	Megoldás
1. A fűrészlap leválik a motor leállítása után	A rögzítőanya nincs eléggé meghúzva	Húzza meg az anyát a jobbmenet irányába
2. A motor nem indul	a) A hálózati biztosíték meghibásodása	a) Ellenőrizze a hálózati biztosítékot
	b) A hosszabbító kábel meghibásodása	b) Cserélje ki a hosszabbító kábelt
	c) A motor vagy a kapcsoló csatlakoztatása nincs rendben	c) Ellenőriztesse szakképzett villanyszerelővel
	d) A motor vagy a kapcsoló meghibásodása	d) Ellenőriztesse szakképzett villanyszerelővel
3. A motor rossz irányba forog	a) A kondenzátor meghibásodása	a) Ellenőriztesse szakképzett villanyszerelővel
	b) Nem megfelelő a csatlakoztatás	b) Cseréltesse meg szakképzett villanyszerelővel a fali konnector polaritását
4. A motor nem ad le teljesítményt, a biztosíték kiold	a) A hosszabbító kábel keresztmetszete nem elegendő	a) Nézze meg az elektromos csatlakoztatást
	b) Az életlen fűrészlap túlterhelést okoz	b) Cserélje ki a fűrészlapot
5. Égett foltok a vágási felületen	a) Életlen fűrészlap	a) Élesítse meg a fűrészlapot vagy cserélje ki
	b) Nem megfelelő fűrészlap	b) Cserélje ki a fűrészlapot

Objaśnienie symboli na instrumencie

	<p>(PL)</p>	<p>Ostrzeżenie! Możliwe niezgodności Zagrożenie życia, ryzyko obrażeń lub uszkodzenia narzędzia!</p>
	<p>(PL)</p>	<p>Před uvedením do provozu si přečtěte a dodržujte návod k obsluze a bezpečnostní pokyny.</p>
	<p>(PL)</p>	<p>Nosić okulary ochronne!</p>
	<p>(PL)</p>	<p>Nosić nauszники ochronne!</p>
	<p>(PL)</p>	<p>W przypadku emisji pyłu nosić maskę chroniącą drogi oddechowe!</p>
	<p>(PL)</p>	<p>Uwaga! Niebezpieczeństwo odniesienia obrażeń! Nie wkładać rąk w obracający się brzeszczot piły!</p>
	<p>(PL)</p>	<p>Klasa ochrony II</p>

1. Inicjacja

PRODUCENT:

scheppach

Fabrikation von Holzbearbeitungsmaschinen GmbH
Günzburger Straße 69
D-89335 Ichenhausen

DROGI KLIENCIE,

Życzymy Państwu wiele radości i sukcesów w pracy z nowym urządzeniem.

WSKAZÓWKA:

W świetle obowiązującego prawa dotyczącego odpowiedzialności za produkt producent tego urządzenia nie odpowiada za szkody, które powstały w tym urządzeniu lub poprzez jego działanie, podczas:

- nieprawidłowej obsługi,
- nieprzestrzegania instrukcji obsługi,
- napraw przeprowadzanych przez osoby trzecie, nieautoryzowanych fachowców,
- montażu i wymiany na nieoryginalne części,
- użytkowania niezgodnego z przeznaczeniem,
- awarii instalacji elektrycznej, w przypadku nieprzestrzegania przepisów elektrycznych i przepisów VDE: 0100, DIN 57113 / VDE 0113.

Rekomendujemy Państwu:

Przed montażem i pierwszym uruchomieniem przeczytajcie Państwo cały tekst instrukcji obsługi. Instrukcja obsługi powinna Państwu ułatwić poznanie urządzenia oraz możliwości jego eksploatacji zgodnej z przeznaczeniem.

Instrukcja obsługi zawiera ważne wskazówki umożliwiające bezpieczną, fachową i ekonomiczną pracę z tym urządzeniem oraz informuje, jak uniknąć niebezpieczeństw, oszczędzić na kosztach napraw, ograniczyć czas przestojów i zwiększyć niezawodność oraz okres użytkowania urządzenia.

Oprócz zasad bezpieczeństwa zawartych w instrukcji obsługi koniecznie musicie Państwo dodatkowo przestrzegać przepisów dot. eksploatacji maszyn, obowiązujących w Państwa kraju.

Prosimy, żebyście Państwo przechowywali instrukcję obsługi przy urządzeniu i zabezpieczyli ją przed zanieczyszczeniami i wilgocią w plastikowej osłonie. Przed podjęciem pracy każda osoba obsługująca musi ją przeczytać i dokładnie przestrzegać. Maszyna może być obsługiwana jedynie przez osoby, które zostały poinstruowane i przeszkolone odnośnie jej użytkowania i związanych z tym niebezpieczeństw. Należy przestrzegać minimalnego wieku pracowników. Obok wskazówek dot. bezpieczeństwa zawartych w tej instrukcji obsługi oraz przepisów obowiązujących w Państwa kraju, należy również przestrzegać innych powszechnie uznanych technicznych norm dot. eksploatacji urządzeń do obróbki drewna.

2. Opis urządzenia (rys. 1-4)

1. Stół pilarki
2. Wkładka stołu
3. Brzeszczot piły
4. Osłona brzeszczotu piły
5. Wąż odsysający
6. Klin rozszczepiający
7. Ogranicznik poprzeczny
8. Rozszerzenie stołu
9. Popychacz
10. Podstawa
11. Włącznik, wyłącznik
12. Pokrętko
13. Uchwyt blokujący
14. Prowadnica
15. Ogranicznik równoległy
16. Nogi
- 16a Gumowe podkładki
- 16b Pałak podporowy
17. Podpora środkowa, długa
18. Podpora środkowa, krótka
19. Śruba sześciokątna
20. Nakrętka sześciokątna
21. Klucz do brzeszczotu
- 21a Podkładka sprężysta rozcięta
- 21b Podkładka
22. Podpora

3. Rozpakowywanie

- Otworzyć opakowanie i wyjąć ostrożnie urządzenie.
- Usunąć materiał opakowaniowy oraz zabezpieczenia opakowania/transportowe (jeśli występują).
- Sprawdzić, czy zakres dostawy jest kompletny.
- Sprawdzić urządzenie i elementy wyposażenia pod kątem uszkodzeń transportowych.
- W miarę możliwości zachować opakowanie do zakończenia okresu gwarancyjnego.

UWAGA

Urządzenie i materiały opakowaniowe nie mogą służyć jako zabawka dla dzieci! Dzieciom nie wolno bawić się workami z tworzywa sztucznego, foliami i drobnymi elementami! Istnieje niebezpieczeństwo połknięcia i uduszenia!

4. Użytkowanie zgodne z przeznaczeniem

Stołowa piła tarczowa służy do cięcia podłużnego i poprzecznego (tylko przy użyciu ogranicznika poprzecznego) wszelkiego rodzaju drewna, odpowiedniego do rozmiarów narzędzia.

Nie wolno nią ciąć drewna okrągłego.

Maszynę wolno użytkować wyłącznie zgodnie z jej przeznaczeniem.

Każde użycie wykraczające poza to jest niezgodne z przeznaczeniem. Za wynikające z tego szkody i obrażenia wszelkiego rodzaju odpowiada użytkownik/operator, a nie producent.

Można stosować wyłącznie brzeszczoty przystosowane do maszyny (brzeszczoty HM lub CV).

Stosowanie wszelkiego rodzaju brzeszczotów HSS jest zabronione. Do zgodnego z przeznaczeniem wykorzystywania zalicza się również przestrzeganie zasad bezpieczeństwa, a także instrukcji montażu i wskazań dot. eksploatacji, zawartych w instrukcji obsługi.

Osoby obsługujące i konserwujące maszynę muszą dobrze znać jej działanie oraz zostać pouczone odnośnie ewentualnych zagrożeń. Ponadto należy jak najdokładniej przestrzegać obowiązujących przepisów dotyczących zapobiegania nieszczęśliwym wypadkom. Podobnie zaleca się przestrzeganie wszelkich innych ogólnych zasad z dziedziny medycyny pracy i bezpieczeństwa technicznego.

⚠ Uwaga!

Podczas użytkowania urządzeń należy zastosować pewne środki zabezpieczające w celu uniknięcia obrażeń i uszkodzeń. Dlatego należy dokładnie przeczytać instrukcję obsługi / wskazówki bezpieczeństwa. Należy je starannie przechowywać, aby w razie potrzeby w każdej chwili móc uzyskać potrzebne informacje. W przypadku przekazania urządzenia innym osobom, należy im przekazać również niniejszą instrukcję obsługi/wskazówki bezpieczeństwa. Nie ponosimy odpowiedzialności za wypadki lub szkody powstałe wskutek nieprzestrzegania niniejszej instrukcji oraz wskazówek bezpieczeństwa.

Samowolne modyfikacje maszyny wykluczają odpowiedzialność producenta za spowodowane tym szkody.

Mimo używanie w sposób zgodny z przeznaczeniem nie można całkowicie uniknąć czynników ryzyka resztkowego. Ze względu na konstrukcję i budowę maszyny mogą występować następujące zagrożenia:

- Dotknięcie brzościoty pily w niezabezpieczonym obszarze.
- Nie wkładać rąk w obracający się brzościoty pily (niebezpieczeństwo przecięcia)
- Odrzucenie obrabianych elementów i ich części.
- Pęknięcia brzościoty pily.
- Wyrzut wadliwych części z twardego metalu, z jakiego jest wykonany brzościoty pily.
- Uszkodzenie słuchu w przypadku nieużywania wymaganych środków ochrony słuchu
- Emisję pyłu z drewna szkodliwe dla zdrowia przy zastosowaniu w pomieszczeniach zamkniętych.

⚠ Należy pamiętać, że zgodnie z przeznaczeniem nasze urządzenia nie zostały skonstruowane do użytku komercyjnego, rzemieślniczego lub przemysłowego. Nie ponosimy odpowiedzialności w przypadku, gdy urządzenie jest stosowane w zakładach komercyjnych, rzemieślniczych i przemysłowych oraz do podobnych działalności.

5. Ważne wskazówki

⚠ **Uwaga!** Podczas używania narzędzi elektrycznych należy przestrzegać zasadniczych środków bezpieczeństwa w celu ochrony przed porażeniem prądem, zagrożeniem obrażeniami i pożarem. Przed przystąpieniem do używania niniejszego narzędzia elektrycznego należy przeczytać wszystkie wskazówki i odpowiednio przechowywać je w bezpiecznym miejscu.

Bezpieczna praca

1 Utrzymywać porządek w obszarze roboczym

- Nieporządek w obszarze roboczym może być przyczyną wypadków.

2 Uwzględnić oddziaływania otoczenia

- Nie wystawiać narzędzi elektrycznych na działanie deszczu.
- Nie używać narzędzi elektrycznych w wilgotnym lub mokrym otoczeniu.

- Zadbaj o dobre oświetlenie obszaru roboczego.
- Nie używać narzędzi elektrycznych w miejscach, gdzie występuje zagrożenie pożarem lub wybuchem.

3 Należy strzec się przed porażeniem prądem elektrycznym

- Unikać kontaktu ciała z uziemionymi częściami (np. rurami, radiatorami, piecami elektrycznymi, urządzeniami chłodniczymi).

4 Nie pozwalać dzieciom zbliżać się do miejsca pracy!

- Nie pozwalać innym osobom dotykać narzędzia lub kabla, nie pozwalać im na zbliżanie się do obszaru roboczego.

5 Przechowywać nieużywane narzędzia elektryczne w bezpiecznym miejscu

- Używane narzędzia elektryczne należy odkładać w suchym, wysoko położonym lub zamkniętym miejscu, poza zasięgiem dzieci.

6 Nie przeciążać elektronarzędzia

- Podany zakres mocy umożliwi lepszą i bezpieczniejszą pracę.

7 Używać właściwego elektronarzędzia

- Do ciężkich prac nie stosować narzędzi elektrycznych o małej mocy.
- Nie używać narzędzia elektrycznego do celów, do których nie jest ono przeznaczone. Np. nie używać ręcznej pily tarczowej do cięcia gałęzi drzew lub polan drewna.
- Narzędzia elektrycznego nie używać do cięcia drewna opałowego.

8 Nosić odpowiednią odzież

- Podczas pracy nie nosić luźnej odzieży ani biżuterii - mogłoby dojść do ich pochwycenia przez ruchome części.
- Podczas prac na powietrzu wskazane jest używanie obuwia antypoślizgowego.
- W przypadku długich włosów nosić siatkę na włosy.

9 Stosować odpowiednie środki ochrony

- Stosować okulary ochronne.
- Podczas prac z dużą emisją pyłu stosować maskę chroniącą drogi oddechowe.

10 Podłączyć urządzenie do odsysania pyłu

- Jeżeli występują przyłącza odsysania pyłu i urządzenie wychwytyjące, upewnić się, że są one podłączone i prawidłowo używane.
- Eksploatacja w zamkniętych pomieszczeniach jest dopuszczalna wyłącznie z zastosowaniem odpowiedniego urządzenia odsysającego.

11 Zabezpieczyć element obrabiany

- W celu przytrzymania obrabianego przedmiotu zastosować przyrządy mocujące lub imadło. Umożliwiają one pewniejszy uchwyt niż przy użyciu ręki i pozwalają na obsługę maszyny obiema rękami.
- W przypadku długich elementów wymagane jest zastosowanie dodatkowej podpory (stół, koźły itd.), by uniknąć przechylenia maszyny.
- Obrabiany element dociskać zawsze mocno do płyty roboczej i ogranicznika, by uniknąć jego chwiania się lub obrócenia.

12 Unikać nietypowej pozycji ciała

- Zadbaj o stabilną pozycję i zachowanie równowagi w każdej chwili.
- Unikać nieodpowiednich pozycji rąk w których na skutek nagłego zsunięcia jednej lub obu rąk mogłoby dojść do zetknięcia z brzościoty pily.

13 Dbać należyście o narzędzia

- Narzędzia skrawające utrzymywać w ostrym i czystym stanie, aby umożliwić lepszą i bezpieczniejszą pracę.
- Przestrzegać wskazówek dotyczących smarowania i wymiany narzędzi.

- Regularnie kontrolować przewód przyłączeniowy narzędzia elektrycznego i w przypadku uszkodzenia zlecić uznanemu specjalście jego wymianę.
- Regularnie kontrolować i w razie uszkodzenia wymieniać przewody przedłużające.
- Uchwyty utrzymywać w stanie suchym, czystym i wolnym od oleju i smaru.

14 Wtyczkę należy wyjąć z gniazdka

- Nigdy nie usuwać luźnych odłamków, wiórów lub zakleszczonych kawałków drewna przy pracującym brzeszczocie piły.
- W przypadku nieużywania narzędzia elektrycznego, przed przystąpieniem do konserwacji i przy wymianie narzędzi, jak np. brzeszczot piły, wiertła, frezy.

15 Nie pozostawiaj kluczy narzędziowych przy narzędziu

- Przed włączeniem skontrolować, czy klucze i narzędzia nastawcze są usunięte.

16 Nie dopuszczać do niezamierzonych uruchomienia

- Upewnić się, że podczas wkładania wtyczki do gniazda przełącznik jest wyłączony.

17 Do prac na zewnątrz używać przedłużacza

- Na zewnątrz używać wyłącznie dopuszczonych do tego i odpowiednio oznaczonych kabli przedłużających.
- Bębny kablowe stosować wyłącznie w stanie rozwiniętym.

18 Pracować uważnie

- Koncentrować się na wykonywanych czynnościach. Pracować z rozwagą. Nie używać narzędzia elektrycznego w stanie dekoncentracji.

19 Sprawdzić narzędzie elektryczne pod kątem ewentualnych uszkodzeń

- Przed dalszym używaniem elektronarzędzia zabezpieczenia lub lekko uszkodzone części należy starannie zbadać pod kątem prawidłowego i zgodnego z przeznaczeniem działania.
- Skontrolować, czy ruchome części działają bez zarzutu i nie zacinają się oraz czy części nie są uszkodzone. Wszystkie części muszą być prawidłowo zamontowane, a wszystkie warunki spełnione, aby zagwarantować prawidłową pracę narzędzia elektrycznego.
- Ruchoma pokrywa ochronna nie może się zablokować, gdy jest otwarta.
- Uszkodzone urządzenia ochronne i części należy zgodnie z ich przeznaczeniem oddać do naprawy lub wymiany do warsztatu specjalistycznego, o ile nie podano inaczej w instrukcji obsługi.
- Uszkodzone przełączniki należy wymienić w warsztacie serwisowym.
- Nie stosować wadliwych lub uszkodzonych przewodów przyłączeniowych.
- Nie używać elektronarzędzi, przy których nie da się włączyć i wyłączyć przełącznika.

20 UWAGA!

- W przypadku wykonywania podwójnych cięć ukośnych należy zachować szczególną ostrożność.

21 UWAGA!

- Używanie innych narzędzi roboczych i innego osprzętu może powodować zagrożenie obrażeniami.

22 Naprawę narzędzia elektrycznego należy zlecać wykwalifikowanemu elektrykowi

- Niniejsze narzędzie elektryczne odpowiada odnośnym przepisom bezpieczeństwa. Naprawy mogą wykonywać wyłącznie wykwalifikowani elektrycy, stosując oryginalne części zamienne; inaczej istnieje ryzyko wypadku dla użytkownika.

23 Nie używać kabla do celów, do których nie jest przeznaczony.

- Nie ciągnąć za kabel w celu wyjęcia wtyczki z gniazda. Chronić kabel przed działaniem wysokiej temperatury, olejem i ostrymi krawędziami.

DODATKOWE WSKAZÓWKI BEZPIECZEŃSTWA

1 Środki bezpieczeństwa

- **⚠ Ostrzeżenie!** Nie używać uszkodzonych, popękanych lub zdeformowanych brzeszczotów.
- Wymieniać zużyty wkład stołu.
- Stosować wyłącznie zalecane przez producenta brzeszczoty pił, odpowiadające normie EN 847-1.
- **⚠ Ostrzeżenie!** Podczas wymiany brzeszczotu piły zwrócić uwagę, by szerokość cięcia nie była mniejsza, a grubość podstawowego brzeszczotu piły większa niż grubość klina rozdzielającego!
- Zwrócić uwagę, by wybrany brzeszczot piły był odpowiedni do ciętego materiału.
- Nosić odpowiednie środki ochrony indywidualnej. Są to:
Używać środków ochrony słuchu w celu zmniejszenia ryzyka uszkodzenia słuchu oraz masek na górne drogi oddechowe w celu zmniejszenia ryzyka wdychania niebezpiecznego pyłu.
- Podczas obsługi brzeszczotów pił i szorstkich materiałów używać rękawic.
- Brzeszczoty pił w praktyczny sposób przenosić w pojemniku.
- Stosować okulary ochronne. Powstające w trakcie pracy iskry lub wyrzucane przez urządzenie odłamki, wióry i pyły mogą się przyczynić do utraty widoczności.
- Podczas cięcia drewna narzędzie elektryczne podłączyć do urządzenia wychwytyjącego pył. Wpływ na uwalnianie się pyłu ma m.in. rodzaj obrabianego materiału, miejscowa emisja (wychwytywanie lub źródło) i prawidłowe ustawienie pokryw/blach prowadzących/prowadnic.
- Nie stosować brzeszczotów pił z wysokostopowej stali szybko tnącej (stali HSS).
- Nieużywany popychacz lub drewniany element przesuwany przechowywać w odpowiednim pojemniku przy elektronarzędziu.

2 Konserwacja i obsługa techniczna

- W przypadku wszelkich prac regulacyjnych i konserwacyjnych wyjąć wtyczkę sieciową.
- Na emisję hałasu wpływa szereg różnych czynników, m.in. właściwości brzeszczotów pił, stan brzeszczotu piły i narzędzia elektrycznego. W miarę możliwości stosować brzeszczoty pił skonstruowane z myślą o redukcji powstającego hałasu, przeprowadzać regularną konserwację narzędzia elektrycznego i nasadek narzędzi oraz w razie potrzeby doprowadzać je do stanu umożliwiającego redukcję hałasu.
- Wady narzędzia elektrycznego, urządzeń ochronnych i nasadki narzędzia zgłaszać osobie odpowiedzialnej za bezpieczeństwo natychmiast po ich zauważeniu.

3 Bezpieczna praca

- W celu bezpiecznego prowadzenia elementu obrabianego używać popychacza lub uchwytu z drewnianym elementem przesuwającym.
- Upewnić się, że klin rozszczepiający jest zamontowany i prawidłowo ustawiony.

- Zastosować urządzenie ochronne brzeszczotu i ustawić prawidłowo.
- Używać wyłącznie takie brzeszczoty, których maksymalna dopuszczalna prędkość obrotowa nie jest mniejsza niż maksymalna prędkość obrotowa wrzeciona tarczowej piły stołowej i które nadają się do ciętego materiału.
- Nie przeprowadzać wykonywać felców lub wpustów bez zamocowania nad stołem pilarskim odpowiedniej osłony, np. tunelu ochronnego.
- Pilarki tarczowe nie mogą być stosowane do wykonywania szczelin (wpustów kończących się w obrabianym elemencie).
- Elektronarzędzie przenosić tylko za przewidziane do tego uchwyty. Nigdy nie używać urządzeń ochronnych do przestawiania lub transportu.
- Zwrócić uwagę, by podczas transportu górna część brzeszczotu piły była osłonięta, np. za pomocą urządzenia ochronnego.
- Zwrócić uwagę, by używać tylko takich podkładek dystansowych i pierścieni śrubowych, które są przeznaczone do celów określonych przez producenta.
- Podłoże wokół maszyny musi być równe, czyste i pozbawione wszelkich luźnych odpadów, jak np. wióry i resztki po cięciu.
- Pozycja robocza zawsze z boku brzeszczotu piły.
- Z obszaru cięcia nie usuwać resztek po cięciu lub innych części obrabianego elementu tak długo, jak maszyna działa i dopóki agregat pilarki nie znajdzie się w położeniu spoczynkowym.
- Pamiętać, by maszyna (o ile jest to możliwe) była zawsze zamocowana do ławy warsztatowej lub stołu.
- Długie elementy obrabiane zabezpieczyć przed przechyleniem na końcu procesu cięcia (np. stojak rolkowy i koziół rolkowy).
- **⚠ Uwaga!** Nigdy nie usuwać luźnych odłamków, wiórów lub zakleszczonych kawałków drewna przy pracującym brzeszczocie piły.
 - W celu usunięcia usterek lub usunięcia zakleszczonych kawałków drewna wyłączyć maszynę - **Wyjąć wtyczkę sieciową** -
 - Przebieranie oraz prace regulacyjne, pomiarowe i czyszczenie wykonywać wyłącznie przy wyłączonym silniku. - **Wyjąć wtyczkę sieciową** -
 - Przed włączeniem skontrolować, czy klucze i narzędzia nastawcze są usunięte.

Ostrzeżenie! Niniejsze narzędzie elektryczne wytwarza podczas pracy pole elektromagnetyczne. Pole to może w pewnych okolicznościach wpływać negatywnie na aktywne lub pasywne implanty medyczne. W celu zmniejszenia ryzyka poważnych lub śmiertelnych obrażeń, osobom z implantami medycznymi przed użyciem narzędzia elektrycznego zalecamy konsultację z lekarzem i producentem.

WSKAZÓWKI BEZPIECZEŃSTWA DOTYCZĄCE POSTĘPOWANIA Z BRZESZCZOTAMI PIŁ

- 1 Narzędzi roboczych używać tylko w przypadku znajomości ich obsługi.
- 2 Przestrzegać maksymalnej prędkości obrotowej. Nie wolno przekraczać maksymalnej prędkości obrotowej podanej na narzędziu roboczym. Przestrzegać zakresu prędkości obrotowej, jeśli jest podany.
- 3 Przestrzegać kierunku obrotu silnika / brzeszczota piły.

- 4 Nie używać narzędzi roboczych posiadających pęknięcia. Narzędzia posiadające pęknięcia należy odłożyć. Ich naprawa jest niedozwolona.
- 5 Oczyszczyć powierzchnie mocowania z zanieczyszczeń, smaru, oleju i wody.
- 6 Nie stosować żadnych luźnych pierścieni lub tulei redukujących do zmniejszania otworów w brzeszczotach pił tarczowych.
- 7 Zwrócić uwagę, by zamocowane pierścienie redukujące, zabezpieczające narzędzie robocze, posiadały tę samą średnicę i minimum 1/3 średnicy cięcia.
- 8 Upewnić się, że zamocowane pierścienie redukujące są ustawione równoległe względem siebie.
- 9 Zachować ostrożność podczas obsługi narzędzi roboczych. Najlepiej przechowywać je w oryginalnym opakowaniu lub specjalnych pojemnikach. Nosić rękawice ochronne, aby zwiększyć pewność chwytu i zmniejszyć ryzyko obrażeń.
- 10 Przed użyciem narzędzi roboczych upewnić się, że wszystkie urządzenia ochronne są prawidłowo zamocowane.
- 11 Przed rozpoczęciem pracy upewnić się, że stosowane narzędzie robocze odpowiada wymaganiom technicznym niniejszego narzędzia elektrycznego i jest prawidłowo zamocowane.
- 12 Załączonego brzeszczotu piły używać wyłącznie do prac pilarskich w drewnie, nigdy do obróbki metali

Ryzyka szczątkowe

Elektronarzędzie zostało skonstruowane zgodnie z najnowszym stanem techniki i uznanymi zasadami bezpieczeństwa technicznego. Jednak podczas pracy mogą się pojawić poszczególne ryzyka szczątkowe.

- Zagrożenie zdrowia spowodowane prądem w przypadku stosowania nieprawidłowych elektrycznych przewodów przyłączeniowych.
 - Ponadto, pomimo wszelkich podjętych kroków, mogą się pojawić ukryte ryzyka szczątkowe.
 - Ryzyka szczątkowe można zminimalizować przestrzegając rozdziału „Wskazówki bezpieczeństwa” oraz „Użytkowanie zgodne z przeznaczeniem”, jak i całej instrukcji obsługi.
 - Nie należy bez potrzeby obciążać maszyny: zbyt silny nacisk przy cięciu powoduje szybkie uszkodzenie brzeszczotu. To z kolei może prowadzić do zmniejszenia wydajności maszyny i pogorszenia dokładności cięcia.
 - Unikać przypadkowego uruchamiania maszyny: podczas wkładania wtyczki do gniazda przycisk uruchamiający nie może być wciśnięty.
 - Stosować narzędzie zalecane w niniejszym podręczniku. W ten sposób zapewni się optymalną wydajność pilarki.
 - Nie zbliżać rąk do obszaru roboczego, gdy maszyna jest uruchomiona.
- Przed podjęciem prac nastawczych lub konserwacyjnych wyłączyć urządzenie i wyciągnąć wtyczkę.

6. Dane techniczne

Silnik prądu przemiennego	220-240 V~ 50Hz
Moc	2000 Watt
Tryb pracy	S6 25%*
Prędkość obrotowa na biegu jałowym	5000 min ⁻¹
Brzeszczot piły z twardego metalu	ø 250 x ø 30 x 2,8 mm
Liczba zębów	24
Grubość klina rozszczepiającego	2 mm
Wymiary stołu	940 x 642 mm
Wysokość cięcia maks. 90°	85 mm
Wysokość cięcia maks. 45°	65 mm
Regulacja wysokości	0 - 85 mm
Zakres wychylania brzeszczotu	0 - 45°
Przyłącze odsysające	ø 35 mm
Ciężar ok.	20,0 kg

* Tryb pracy S6 25%: Praca przerywana z przerwami jałowymi krótkotrwałymi (czas 10 min.). Aby niepotrzebnie nie rozgrzewać silnika, przez 25% czasu może on pracować z podanym obciążeniem znamionowym, lecz potem przez 75% czasu musi on pracować na biegu jałowym.

Emisja hałasu

Wartości hałasu zostały ustalone zgodnie z EN 61029.

Poziom ciśnienia akustycznego L _{PA}	91,0 dB(A)
Niepewność K _{PA}	3 dB
Poziom ciśnienia akustycznego L _{WA}	104,0 dB(A)
Niepewność K _{WA}	3 dB

Zakładać nauszники ochronne.

Hałas może powodować utratę słuchu. Wartości całkowite drgań (suma wektorowa trzech kierunków) określone zgodnie z EN 61029.

7. Przed uruchomieniem

- Maszyna musi być ustawiona stabilnie, tj. musi być przykręcona do ławy warsztatowej, podstawy itp.
- Przed uruchomieniem należy prawidłowo zamontować wszystkie osłony i zabezpieczenia.
- Brzeszczot piły musi się swobodnie poruszać.
- W przypadku obrobionego drewna zwracać uwagę na elementy obce, jak np. gwoździe lub śruby, itp.
- Przed uruchomieniem włącznika/wyłącznika upewnić się, czy brzeszczot piły jest zamontowany w prawidłowy sposób, a elementy ruchome swobodnie się poruszają.
- Przed podłączeniem maszyny upewnić się, że dane na tabliczce identyfikacyjnej są zgodne z parametrami sieci.
- Maszynę podłączać tylko do poprawnie zainstalowanego gniazdka Schuko z bezpiecznikiem min. 16 A.

8. Montaż i obsługa

Uwaga! Przed przystąpieniem do wszelkich prac związanych z konserwacją, przebrojeniem i montażem pilarki tarczowej należy wyjąć wtyczkę z gniazdka.

Wszystkie dostarczone części rozłożyć na płaskiej powierzchni. Posortować części.

Wskazówka: Jeśli połączenie jest zabezpieczone śrubą (z łbem kulistym lub sześciokątnym), nakrętką sześciokątną i podkładką, pod nakrętką należy zawsze umieścić podkładkę.

Śruby zawsze wkłada się od zewnątrz i następnie połączenie od wewnątrz zabezpiecza nakrętkami.

Wskazówka: Podczas montażu śruby i nakrętki powinno się dokręcać na tyle, żeby nie spadły.

Jeśli dociągnię się je przed montażem ostatecznym, nie będzie on możliwy.

8.1 Montaż rozszerzenia stołu (rys. 5)

- Przekręcić pilarkę i stół ustawić do góry nogami na podłodze.
- Rozszerzenie stołu (8) wyrównać ze stołem pilarki (1).
- Rozszerzenie stołu (8) przykręcić do stołu piły (1) śrubami sześciokątnymi (19) i luźno zabezpieczyć podkładkami sprężystymi (20a), podkładkami (20b) i sześciokątnymi nakrętkami (20). To samo powtórzyć po przeciwległej stronie.
- Podporę (22) przykręcić do rozszerzenia stołu (8) przy użyciu śrub sześciokątnych (19), podkładki sprężystej rozciętej (20a) i podkładki (20b).
- Następnie wszystkie śruby dociągnąć.

8.2 Montaż stelaża (rys. 6-7.1)

- Cztery nogi (18) wraz z podporami (22) przykręcić śrubami sześciokątnymi (19), z podkładkami sprężystymi (20a) i podkładkami (20b) do pilarki (rys. 6). Użyć do tego dołączonego klucza do brzeszczotu (21a). (rys. 6)
- Na nogi (16) można nałożyć gumowe nakładki (16a) (rys. 6.1)
- Teraz długą (18) i krótką (17) podporę środkową śrubami (19) i nakrętkami (20) sześciokątnymi przykręcić do nóg (16). **Zwrócić uwagę, żeby podpory o takiej samej długości znajdowały się naprzeciw siebie. Długie podpory środkowe (18 - oznaczone literą „B“) muszą zostać zamocowane równoległe do strony obsługowej pilarki. (rys. 7).**
- Pałki podporowe (16b) przy otworach w tylnych nogach zabezpieczyć luźno przy użyciu 2 śrub sześciokątnych (19), podkładki sprężystych (20a), podkładki (20b) oraz nakrętek sześciokątnych (20) (rys. 7.1).

Uwaga!

Obidwa pałki podporowe należy zamocować z tyłu maszyny!

- Następnie skręcić wszystkie śruby i nakrętki podstawy.

8.3 Ustawianie / montaż klina rozszczepiającego (rys. 8-10)

⚠ Uwaga! Wyjąć wtyczkę sieciową!

Ustawianie klina rozszczepiającego (6) należy sprawdzać przed każdym uruchomieniem.

- Brzeszczot piły (3) nastawić na maks. głębokość cięcia, ustawić w pozycji 0° i zablokować.

- Śrubę (23) wkładki stołu (2) odkręcić śrubokrętem krzyżakowym i wyjąć wkładkę (22) (rys. 8).
- Odstęp między brzeszczotem piły (3) a klinem (6) powinien wynosić maks. 5 mm. (rys. 9)
- Poluzować śrubę mocującą (24) i wyciągnąć klin rozszczepiający (6), aż zostanie ustawiony prawidłowy odstęp (rys. 10).
- Dokręcić śrubę ustalającą (24) i zamontować wkładkę stołu (2).

8.4 Montaż / demontaż osłony brzeszczotu (rys. 11-12)

- Oslonę brzeszczotu (6) wraz ze śrubą (25) od góry nałożyć na klin rozszczepiający (6) tak, żeby śruba mocno siedziała w podłużnym otworze klina (6).
- Śruby (25) nie dokręcać za mocno; osłona brzeszczotu (6) musi się swobodnie poruszać.
- Wąż odsysający (5) nałożyć na adapter odsysania (26) na tylnej stronie maszyny i na króciec odsysający osłony brzeszczotu (4). Do adaptera odsysania (26) podłączyć odpowiednią instalację odsysającą.
- Demontaż odbywa się w odwrotnej kolejności.

Uwaga!

Przed rozpoczęciem cięcia osłona brzeszczotu (4) musi być opuszczona na obrabiany element.

8.5 Wymiana wkładki stołu (rys. 8)

- W razie zużycia lub uszkodzenia wkładkę stołu (2) należy wymienić - inaczej istnieje podwyższone ryzyko zranienia.
- Śrubę (23) wykręcić śrubokrętem krzyżakowym.
- Wyjąć zużytą wkładkę stołu (2).
- Montaż nowej wkładki odbywa się w odwrotnej kolejności.

8.6 Montaż/wymiana brzeszczotu (rys. 13)

- Uwaga! Wyjąć wtyczkę sieciową i założyć rękawice ochronne.**
- Demontaż osłony brzeszczotu (4) (patrz 8.4)
- Wyjąć wkładkę stołu (2) (patrz 8.5)
- Poluzować nakrętkę, przykładając do niej klucz do brzeszczotu (21a) i drugim kluczem (21b) przytrzymując wał silnika (patrz rys. 22).
- Uwaga! Nakrętkę przekręcać w kierunku obrotów brzeszczotu.**
- Zdjąć zewnętrzny kołnierz i ściągnąć z wewnętrznego kołnierza stary brzeszczot.
- Przed montażem nowego brzeszczotu jego kołnierze dokładnie oczyścić szczotką drucianą.
- Nowy brzeszczot piły włożyć w odwrotnej kolejności i dokręcić.
Uwaga! Uważać na kierunek obrotów, zęby muszą się wrzynać zgodnie z nim, tj. do przodu.
- Zamontować i nastawić wkładkę stołu (2) oraz osłonę brzeszczotu (4) (patrz 8.4 i 8.5).
- Przed podjęciem pracy z pilarką sprawdzić działanie zabezpieczeń.

9. Obsługa

9.1 Włączanie, wyłączenie (rys. 14)

- Pilarkę włącza się przez naciśnięcie zielonego przycisku „I” (11). Przed rozpoczęciem cięcia poczekać, aż brzeszczot piły osiągnie maksymalną prędkość obrotową.
- W celu wyłączenia piły należy nacisnąć czerwony przycisk „0” (11).

9.2 Ustawianie głębokości cięcia (rys. 14)

Brzeszczot (3) można ustawić na żądaną głębokość cięcia (bezstopniowo) poprzez kręcenie pokrętkiem regulacji wysokości (12).

- Kręcenie w kierunku przeciwnym do ruchu wskazówek zegara: płytsze cięcie
- Kręcenie w kierunku zgodnym z ruchem wskazówek zegara: głębsze cięcie

Ustawienie sprawdzić poprzez wykonanie cięcia próbnego.

9.3 Ustawianie kąta (rys. 14)

Za pomocą maszyny można wykonywać cięcia ukośne w lewo pod kątem 0°-45° do szyny ogranicznika.

△ Przed każdym cięciem sprawdzić, czy między szyną ogranicznika (a), liniijką cięcia poprzecznego (13) i brzeszczotem (5) nie dojdzie do kolizji.

- Odkręcić uchwyt blokujący (13)
- Wciskając i kręcąc pokrętkiem (12), ustawić żądany kąt na skali.
- Uchwyt blokujący (13) zablokować w żądanym ustawieniu.

9.4 Praca z ogranicznikiem równoległym

9.4.1 Ustawianie wysokości ogranicznika (rys. 15-16)

- Szyna ogranicznika (27) równoległego (15) posiada dwie różne płaszczyzny prowadzące.
- W zależności od grubości ciętego materiału, szyny ogranicznika (27) pokazanej na rys. 16 należy używać do cięcia grubszych elementów (ponad 25 mm grubości), a szyny na rys. 15 - do cieńszych (poniżej 25 mm grubości).

9.4.2 Obrót szyny ogranicznika (rys. 15-16)

- Aby obrócić szynę ogranicznika (27), najpierw trzeba odkręcić śruby skrzydełkowe (28).
- Teraz szynę (27) można ściągnąć z szyny prowadzącej (29) i przy pomocy odpowiedniej prowadnicy ponownie na nią wsunąć.
- Dokręcić śruby skrzydełkowe (28).
- Teraz w razie potrzeby, po lewej lub po prawej stronie prowadnicy (29) można zamocować szynę ogranicznika (27). W tym celu należy tylko wkręcić śruby po drugiej stronie prowadnicy (29).

9.4.3 Ustawianie szerokości cięcia (rys. 17)

- Do cięcia wzdłużnego drewna należy używać ogranicznika równoległego (15).
- Ogranicznik (15) powinien być zamontowany po prawej stronie brzeszczotu (3).
- Ogranicznik równoległy (15) nałożyć od góry na prowadnicę ogranicznika (14).
- Na prowadnicy ogranicznika równoległego (14) znajdują się dwie skale, podające odległość między szyną ogranicznika (15) i brzeszczotem piły (3).
- Wybrać odpowiednią skalę, biorąc pod uwagę, czy szyna ogranicznika (27) jest obrócona do cięcia materiału grubego lub cienkiego:
Wysoka szyna ogranicznika (materiał gruby):
Niska szyna ogranicznika (materiał cienki):
- Ogranicznik równoległy (15) ustawić na wzorniku na żądany wymiar i zablokować dźwignią mimośrodową ogranicznika równoległego (30).

9.5 Ogranicznik poprzeczny (rys. 18)

- Ogranicznik poprzeczny (13) wsunąć do wpustu (31) stołu pilarskiego.
- Odkręcić śrubę uchwytu (32).
- Kręcić ogranicznikiem poprzecznym (7), dopóki nie ustawi się żądanego kąta. Strzałka na ograniczniku poprzecznym wskazuje ustawiony kąt.
- Dokręcić śrubę radełkowaną (32).
- Szynę ogranicznika (34) można przesuwając wzdłuż ogranicznika poprzecznego (13). W tym celu należy poluzować nakrętki (33) i szynę ogranicznika (34) przesunąć w żądane położenie. Dokręcić nakrętki (34).

Uwaga!

- Szyny ogranicznika (34) nie wolno zbyt daleko przesunąć w kierunku brzeszczotu piły.
- Odstęp między szyną ogranicznika (34) a brzeszczotem (3) powinien wynosić ok. 2 cm.

10. Eksploatacja

Wskazówki dotyczące pracy

Po każdym nowym ustawianiu zalecamy wykonanie cięcia próbnego, by sprawdzić ustawione wymiary. Przed rozpoczęciem cięcia poczekać, aż brzeszczot piły osiągnie maksymalną prędkość obrotową.

Długie elementy obrabiane zabezpieczyć przed spadnięciem na końcu cięcia (np. stojakiem rolkowym). Uwaga przy rozpoczynaniu cięcia.

Urządzenie powinno się eksploatować tylko z układem odsysania. Kanały odsysające należy regularnie kontrolować i czyścić.

Przydatność brzeszczotów piły:

- 24 zęby: miękkie materiały, duża ilość wiórów, cięcie ogólne
- 48 zębów: twarde materiały, niewielka ilość wiórów, cięcie precyzyjne

10.1 Cięcie wzdłużne (rys. 19)

Przy cięciu wzdłużnym przedmiot przecina się wzdłuż jego osi podłużnej.

Krawędź przedmiotu docisnąć do ogranicznika równoległego (15), podczas gdy płaska strona spoczywa na stole pilarskim (1).

Ostona brzeszczotu (4) musi być zawsze opuszczona na obrabiany element.

Pozycja robocza przy cięciu wzdłużnym nigdy nie może się znajdować na przedłużeniu linii cięcia.

- Ogranicznik równoległy (15) ustawić odpowiednio do wysokości ciętego przedmiotu i żądanej szerokości. (patrz 9.4)
- Włączyć pilarkę
- Dłonie z podwiniętymi palcami ułożyć płasko na ciętym przedmiocie i wzdłuż ogranicznika równoległego (15) nasuwać go na brzeszczot (3).
- Boczne prowadzenie lewą lub prawą ręką (w zależności od pozycji ogranicznika równoległego) wykonywać tylko do przedniej krawędzi ostony brzeszczotu (4).
- Przesuwać obrabiany element zawsze do końca klina rozszczepiającego (6).
- Odcięty odpad pozostawić na stole (1), dopóki brzeszczot (3) nie zatrzyma się.
- Długie elementy obrabiane zabezpieczyć przed spadnięciem na końcu cięcia! (np. stojakiem rolkowym itp.)

10.1.1 Cięcie wąskich przedmiotów (rys. 20)

Cięcia wzdłużne przedmiotów o szerokości mniejszej niż 120 mm należy bezwzględnie przeprowadzać przy pomocy popychacza (9). Popychacz jest objęty dostawą. Zużyty lub uszkodzony popychacz natychmiast wymieniać na nowy.

- Ogranicznik równoległy ustawić odpowiednio do przewidywanej szerokości ciętego przedmiotu. (patrz 9.4)
- Przedmiot przesunąć oburącz, w obszarze brzeszczotu bezwzględnie używać popychacza (9).
- Obrabiany element zawsze przesunąć do końca klina rozszczepiającego.

⚠ Uwaga! W przypadku krótkich elementów popychacza używać od samego początku.

10.1.2 Cięcie ukośne (rys. 21)

Zasadniczo cięcia ukośne wykonuje się z wykorzystaniem ogranicznika równoległego (15).

- Brzeszczot ustawić pod żądanym kątem. (patrz 9.3)
- Ogranicznik równoległy (15) ustawić w zależności od szerokości i wysokości ciętego przedmiotu (patrz 9.4)
- Ciąć odpowiednio do szerokości przedmiotu (patrz 10.1)

10.2 Cięcie poprzeczne (rys. 22)

Ogranicznik poprzeczny (7) wsunąć do jednego z dwóch wpustów (31a/b) stołu pilarskiego i nastawić na żądany kąt (patrz 9.5). Jeśli brzeszczot piły (3) ma być dodatkowo ustawiony ukośnie, należy użyć wpustu (31a), który nie dopuści do kontaktu ręki i ogranicznika poprzecznego z osłoną brzeszczotu.

- Używać szyny ogranicznika.
- Cięty przedmiot docisnąć do ogranicznika poprzecznego (7).
- Włączyć pilarkę.
- Ogranicznik poprzeczny (7) i cięty przedmiot przesunąć w kierunku brzeszczotu, aby wykonać cięcie.

Uwaga:

Zawsze należy przytrzymywać prowadzony przedmiot, nigdy odcinany kawałek.

- Ogranicznik poprzeczny (7) przesunąć dotąd, aż obrabiany przedmiot nie zostanie całkowicie przecięty.
- Ponownie wyłączyć pilarkę. Odpady usunąć dopiero po zatrzymaniu się brzeszczotu.

10.3 Cięcie płyt wiórowych

Aby uniknąć wyłamywania się krawędzi przy cięciu płyt wiórowych, brzeszczot (3) nie powinien być ustawiony wyżej niż 5 mm ponad grubość płyty (patrz również punkt 9.2).

11. Transport

1. Przed transportem elektronarzędzie należy zawsze wyłączyć i odciąć je od zasilania.
2. Elektronarzędzie należy przenosić przynajmniej w dwie osoby; nie należy chwycić za rozszerzenia stołu.
3. Elektronarzędzie należy chronić przed uderzeniami i silnymi wstrząsami, jakie mogą występować np. podczas przewożenia samochodem.
4. Elektronarzędzie zabezpieczyć przed przewróceniem się i ześlizgnięciem.
5. Nigdy nie używać zabezpieczeń do przestawiania lub transportu.

12. Konserwacja

⚠ **Ostrzeżenie!** Przed rozpoczęciem wszelkich prac związanych z ustawianiem, obsługą techniczną i naprawą wyciągnąć wtyczkę!

12.1 Ogólne działania konserwujące

- W miarę możliwości zabezpieczenia, szczeliny wentylacyjne i obudowę silnika powinny być wolne od pyłu i zanieczyszczeń. Urządzenie przecierać czystą szmatką lub przedmuchiwać je sprężonym powietrzem pod niskim ciśnieniem.
- Zalecamy czyszczenie urządzenia bezpośrednio po każdym użyciu.
- Urządzenie powinno się regularnie czyścić wilgotną szmatką i niewielką ilością szarego mydła. Nie używać środków czyszczących ani rozpuszczalników; mogłyby one uszkodzić plastikowe części urządzenia. Uważać, aby do wnętrza nie dostała się woda.
- W celu wydłużenia żywotności narzędzia elementy obrotowe należy raz w miesiącu oliwić. Nie oliwić silnika.

12.2 Szczotki węglowe

- W przypadku nadmiernego iskrzenia zlecić kontrolę szczotek węglowych przez wykwalifikowanego elektryka. Uwaga! Szczotki węglowe mogą być wymieniane wyłącznie przez wykwalifikowanego elektryka.

13. Przechowywanie

Urządzenie i jego wyposażenie przechowywać w miejscu zaciemnionym, suchym i zabezpieczonym przed mrozem oraz niedostępnym dla dzieci. Optymalna temperatura przechowywania wynosi od 5 do 30°C. Narzędzie elektryczne przechowywać w oryginalnym opakowaniu.

Przykryć narzędzie elektryczne, by chronić je przed pyłem lub wilgocią.

Nie używane brzeszczoty piły i klucze można schować, jak przedstawiono na rys. 23.

Zachować instrukcję obsługi urządzenia elektrycznego.

14. Przyłącze elektryczne

Zainstalowany silnik elektryczny jest gotowy do eksploatacji. Przyłącze odpowiada odnośnym przepisom VDE (Związek Elektryków Niemieckich) oraz normom DIN. Przyłącze sieciowe zapewniane przez klienta oraz zastosowany przewód przedłużający muszą odpowiadać tym przepisom.

- Produkt spełnia wymagania dyrektywy EN 61000-3-11 i podlega szczególnym warunkom przyłączenia. Oznacza to, że zabronione jest jego podłączanie do dowolnie wybieranych punktów przyłączeniowych.
- W przypadku niekorzystnych warunków sieciowych urządzenie może powodować przejściowe wahania napięcia.
- Produkt jest przewidziany do używania w instalacjach, w których obciążalność sieciowa prądem ciągłym wynosi przynajmniej 100 A na każdą fazę i które są zasilane z sieci rozdzielczej napięciem znamionowym 230 V.
- Użytkownik musi zagwarantować - w razie potrzeby po konsultacji z dostawcą energii elektrycznej - że obciążalność sieciowa prądem ciągłym w punkcie przyłączenia do sieci publicznej będzie wystarczająca dla produktu.

Ważne wskazówki

W przypadku przeciążenia silnika wyłącza się on samoczynnie. Po czasie chłodzenia (zróżnicowany), silnik można ponownie uruchomić.

Uszkodzony elektryczny przewód przyłączeniowy

Na przewodach elektrycznych powstają często uszkodzenia izolacji.

Przyczyną może być:

- Ściskanie, w przypadku gdy przewody są prowadzone przez okna lub szczeliny w drzwiach.
- Zagięcia, w przypadku nieprawidłowego zamocowania lub prowadzenia przewodów.
- Przecięcia, w przypadku najeżdżania na przewody.
- Uszkodzenia izolacji, w przypadku wyrywania z gniazdka ściennego.

Pęknięcia, spowodowane starzeniem się izolacji.

Uszkodzonych przewodów elektrycznych nie wolno używać - ze względu na uszkodzenie izolacji zagrażają życiu.

Przewody elektryczne należy regularnie kontrolować pod kątem uszkodzeń. Pamiętać, by podczas sprawdzania przewodu nie był on podłączony do sieci elektrycznej.

Przewody elektryczne muszą odpowiadać właściwym przepisom VDE (Związek Elektryków Niemieckich) oraz normom DIN. Stosować wyłącznie przewody elektryczne z oznaczeniem H05VV-F.

Odpowiednia informacja znajduje się na oznaczeniu typu, umieszczonym na przewodzie.

Silnik prądu przemiennego

- Napięcie sieciowe musi wynosić 230 V~.
 - Przedłużacze o długości 25 m muszą posiadać przekrój wynoszący 1,5 milimetra kwadratowego.
- Podłączanie oraz naprawy wyposażenia elektrycznego mogą być przeprowadzane przez wykwalifikowanego elektryka.

W przypadku pytań proszę o podanie następujących danych:

- Rodzaj prądu silnika
- Dane z tabliczki identyfikacyjnej maszyny
- Dane z tabliczki identyfikacyjnej silnika

15. Pomoc dotycząca usterek

Usterka	Możliwa przyczyna	Pomoc
1. Brzeszczot odkręca się po wyłączeniu silnika	Nakrętka mocująca jest za słabo dokręcona	Dokręcić nakrętkę mocującą z gwintem prawoskrętnym
2. Silnik nie włącza się	a) Awaria bezpiecznika sieciowego	a) Sprawdzić bezpiecznik sieciowy
	b) Uszkodzony przewód przedłużający	b) Wymienić przewód przedłużający
	c) Przyłącza w silniku lub wyłączniku nie są prawidłowo podłączone	c) Zlecić sprawdzenie wykwalifikowanemu elektrykowi
	d) Uszkodzony silnik lub wyłącznik	d) Zlecić sprawdzenie wykwalifikowanemu elektrykowi
3. Nieprawidłowy kierunek obrotów silnika	a) Uszkodzony kondensator	a) Zlecić sprawdzenie wykwalifikowanemu elektrykowi
	b) Nieprawidłowe podłączenie	b) Zlecić wykwalifikowanemu elektrykowi zamianę biegunów w gniazdku ściennym
4. Silnik nie ma mocy, aktywuje się bezpiecznik	a) Przekrój przewodu przedłużającego jest za mały	a) Patrz Przyłącze elektryczne
	b) Przeciążenie z powodu tępego brzeszczotu	b) Wymienić brzeszczot
5. Przypalone powierzchnie na ciętym materiale	a) Tępy brzeszczot piły	a) Naostrzyć lub wymienić brzeszczot
	b) Nieprawidłowy brzeszczot	b) Wymienić brzeszczot

Objašnjenje simbola na instrumentu

	<p>(HR)</p>	<p>Upozorenje! Mogući za nepoštivanje Opasnost po život, opasnost od ozljeda ili oštećenja alata!</p>
	<p>(HR)</p>	<p>Prije stavljanja u pogon pročitajte i poštujujte priručnik za rukovanje i sigurnosne napomene!</p>
	<p>(HR)</p>	<p>Nosite zaštitne naočale!</p>
	<p>(HR)</p>	<p>Nosite zaštitu za sluh!</p>
	<p>(HR)</p>	<p>U prašnjavim uvjetima nosite zaštitu za disanje!</p>
	<p>(HR)</p>	<p>Pozor! Opasnost od ozljeda! Na zahvaćajte u list pile dok radi!</p>
	<p>(HR)</p>	<p>Vrsta zaštite II</p>

1. Iniciranje

PROIZVOĐAČ:

**scheppach Fabrikation von
Holzbearbeitungsmaschinen GmbH**
Günzburger Straße 69
D-89335 Ichenhausen

POŠTOVANI,

Želimo vam puno radosti i uspjeha u radu sa svojim novim aparatom.

SAVJET:

Sukladno odgovarajućem zakonu o odgovornosti, proizvođač nije odgovoran za oštećenja proizvoda ili u vezi s proizvodom u sljedećim slučajevima:

- nepravilnog rukovanja proizvodom;
- nepridržavanja uputa za uporabu;
- popravaka neovlaštenih servisera;
- ugrađivanja ili uporabe neoriginalnih rezervnih dijelova;
- nepravilne uporabe proizvoda;
- pogrešaka električnog sustava nastalih usljed ne poštivanja električnih specifikacija i uredbi VDE 0100, DIN 57113 / VDE

Mi vam preporučujemo

Preporučamo da prije rada, detaljno pročitate upute za rukovanje strojem. Ove upute za rukovanje će vam pomoći da bolje upoznate stroj te ga bolje i primjenite. Upute za rukovanje sadrže važne informacije kako bi vaš rad sa ovim strojem bio siguran, stručan i ekonomičan, te kako biste izbjegli rizike, troškove popravki, smanjili vrijeme zastoja, povećali pouzdanost i produžili životni vijek stroja.

Uz sigurnosne zahtjeve koji su navedeni u uputama za rukovanje, trebate se pridržavati i odgovarajućih odredbi Zakona.

Upute za rukovanje moraju se uvijek nalaziti u blizini stroja. Čuvajte ih u plastičnim mapama kako biste ih zaštitili od nečistoće i vlage. Svaki korisnik prije rada sa strojem treba pažljivo pročitati upute za rukovanje i savjesno ih se pridržavati. Rad sa strojem dozvoljen je samo osobama kvalificiranim i upoznatim sa opasnostima i rizicima. Minimalna starosna dob mora biti ispunjena. Uz sigurnosne zahtjeve koji su navedeni u uputama za rukovanje te odgovarajućih zakonskih odredbi, trebate se pridržavati i općenito važećih tehničkih pravila za strojeve za obradu drva.

2. Opis uređaja (slike 1-4)

1. Stol za rezanje
2. Stolni umetak
3. List pile
4. Štitnik lista pile
5. Usisno crijevo
6. Rastavni klin
7. Poprečni graničnik
8. Proširenje stola
9. Palica za guranje
10. Postolje
11. Glavna sklopka
12. Ručni kotač
13. Ručka za učvršćivanje
14. Vodilica
15. Paralelni graničnik
16. Oslonci
- 16a Gumena stopala
- 16b Stalak
17. Središnji potporanj, dugi
18. Središnji potporanj, kratki
19. Šestobridni vijak
20. Šestobridna matica
21. Ključ lista pile
- 21a Opružni prsten
- 21b Pločica
22. Potporanj

3. Raspakiranje

- Otvorite pakiranje i oprezno izvadite uređaj.
- Uklonite ambalažni materijal te ambalažnu i transportu zaštitu (ako postoji).
- Provjerite cjelovitost isporučene opreme.
- Provjerite ima li na uređaju i dijelovima pribora transportnih oštećenja.
- Sačuvajte ambalažu po mogućnosti do isteka jamstvenog razdoblja.

POZOR

Uređaj i ambalažni materijali nisu dječja igračka! Djeca se ne smiju igrati plastičnim vrećicama, folijama i malim dijelovima! Postoji opasnost od gutanja i gušenja!

4. Namjenska uporaba

Stolna kružna pila služi uzdužnom i poprečnom rezanju (samo s poprečnim graničnikom) svih vrsta drva, ovisno o veličini stroja.

Ne smije se rezati oblo drvo svih veličina. Stroj se smije rabiti samo prema namjeni.

Svaka druga uporaba smatra se nenamjenskom. Za štete ili ozljede proizašle iz toga odgovornost snosi korisnik/rukovatelj, a ne proizvođač.

Smiju se rabiti samo listovi pile prikladni za stroj (listovi pile HM ili CV).

Zabranjena je uporaba listova pile HSS i reznih ploča. Sastavni je dio namjenske uporabe i poštivanje sigurnosnih napomena te uputa za montažu i rad u priručniku za uporabu.

Osobe koje strojem rukuju i koje ga održavaju moraju biti upoznate s njim i podučene o mogućim opasnostima. Osim toga, potrebno je strogo pridržavanje važećih propisa o zaštiti na radu.

Moraju se poštivati ostala važeća pravila iz područja medicine rada i tehničke sigurnosti.

⚠ **Pozor!**

Pri uporabi uređaja moraju se poštivati određene sigurnosne mjere radi izbjegavanja ozljeda i šteta. Stoga pažljivo pročitajte ovaj priručnik za uporabu i sigurnosne napomene. Sačuvajte ih kako bi vam te informacije uvijek bile dostupne. Ako uređaj predate drugoj osobi, predajte i ovaj priručnik za uporabu i sigurnosne napomene. Ne preuzimamo odgovornost za nezgode ili štete koje nastanu nepoštivanjem ovog priručnika ili sigurnosnih napomena.

Proizvođač neće odgovarati za izmjene stroja i štete koje iz toga proiziđu.

Unatoč namjenskoj uporabi nije moguće potpuno isključiti određene faktore preostalog rizika. Zbog konstrukcije i montaže stroja mogu se pojaviti sljedeće rizici:

- Dodirivanje lista pile u nezaštićenom području pile.
- Zahvaćanje u list pile dok radi (opasnost od posjekotina).
- Odskakanje izradaka i dijelova izradaka.
- Lomovi listova pile.
- Izbacivanje neispravnih dijelova listova pile od tvrdog metala.
- Oštećenja sluha zbog neuporabe potrebne zaštite za sluh.
- Štetne emisije drvene prašine pri uporabi u zatvorenim prostorijama.

⚠ Imajte na umu da naši uređaji namjenski nisu konstruirani za gospodarsku, obrtničku ili industrijsku uporabu. Ne preuzimamo odgovornost ako se uređaj rabi u gospodarskim, obrtničkim ili industrijskim pogonima te za srodne postupke.

5. Važne napomene

⚠ **Pozor!** Pri uporabi električnih alata moraju se poštivati sljedeće osnovne sigurnosne mjere radi zaštite od električnog udara te opasnosti od ozljeda i požara. Prije uporabe ovog električnog alata pročitajte sve sljedeće sigurnosne napomene i čuvajte ih na sigurnom mjestu.

Siguran rad

1 Održavajte red na radnom području

- Nered na radnom području može uzrokovati nezgode.

2 Vodite računa o okolnim utjecajima

- Električne alate ne izlažite kiši.
- Električne alate ne rabite u vlažnoj ili mokrom okolini.
- Osigurajte dobro osvijetljenje radnog područja.
- Električne alate ne rabite ondje gdje postoji opasnost od požara ili eksplozije.

3 Zaštitite se od električnog udara

- Izbjegavajte dodir tijela s uzemljenim dijelovima (npr. cijevima, radiatorima, električnim štednjacima, rashladnim uređajima).

4 Udaljite djecu!

- Ne dopuštajte drugim osobama da dodiruju alat ili kabel te ih udaljite iz radnog područja.

5 Nekorištene električne alate spremite na sigurno mjesto

- Nekorištene električne alate spremite na suho, povišeno ili zatvoreno mjesto, izvan dohvata djece.

6 Ne preopterećujte električni alat

- Radit ćete bolje i sigurnije u navedenom rasponu snage.

7 Rabite ispravan električni alat

- Ne rabite slabe električne alate za teške radove.
- Električni alat ne rabite za svrhe za koje nije predviđen. Na primjer, ručnu kružnu pilu ne rabite za rezanje grana stabala ili cjepanica.
- Električni alat ne rabite za rezanje ogrjevnog drva.

8 Nosite odgovarajuću odjeću

- Ne nosite široku odjeću ili nakit jer bi ih pokretni dijelovi mogli zahvatiti.
- Pri radu na otvorenom preporučujemo neklizajuće cipele.
- Ako imate dugu kosu, nosite mrežicu za kosu.

9 Rabite zaštitnu opremu

- Nosite zaštitne naočale.
- Pri radu u prašnjavim uvjetima nosite masku za disanje.

10 Priključite uređaj za usisavanje prašine

- Ako postoje priključci za usisivač prašine i uređaj za hvatanje, provjerite jesu li oni priključeni i rabe li se ispravno.
- Rad u zatvorenim prostorijama dopušten je samo s odgovarajućim usisivačem.

11 Učvrstite izradak

- Za učvršćivanje izratka uporabite zatezače ili škripac. On će time biti sigurnije učvršćen nego rukom i omogućit će rukovanje strojem objema rukama.
- Kod dugih izradaka potrebna je dodatna podloga (stol, stalci itd.) kako bi se izbjeglo prevrtanje stroja.
- Izradak uvijek pritisnite na radnu ploču i graničnik kako biste spriječili klimanje i zakretanje izratka.

12 Izbjegavajte nenormalno držanje tijela

- Osigurajte siguran položaj i uvijek održavajte ravnotežu.
- Izbjegavajte nespretne položaje ruku pri kojima bi iznenadnim otklizavanjem jedna ruka ili obje ruke mogle dodirnuti list pile.

13 Pozorno nježite alate

- Oštrite i čistite rezne alate kako biste mogli raditi bolje i sigurnije.
- Slijedite upute za podmazivanje i za zamjenu alata.
- Redovito provjeravajte priključni kabel električnog alata i, ako se ošteti, neka ga zamijeni ovlaštenu stručnjak.
- Redovito provjeravajte produžne kabele i zamijenite ih ako su oštećeni.
- Ručke moraju biti suhe, čiste i očišćene od ulja i masti.

14 Izvucite utikač iz utičnice

- Nikad ne uklanjajte labavo iverje, piljevinu ili uglavljene drvene dijelove kad list pile radi.
- Kad električni alat ne rabite, prije održavanja i pri zamjeni alata kao što su listovi pile, svrdla, glodalice.

15 Ne utičite ključeve za alat

- Prije uključivanja provjerite jesu li ključevi i alati za namještanje uklonjeni.

16 Izbjegavajte nehotično pokretanje

- Pri priključivanju utikača u utičnicu osigurajte da je sklopka isključena.

17 Za vanjsko područje rabite produžne kabele

- Na otvorenom rabite samo odobrene i prikladno označene produžne kabele.
- Kabelski bubanj rabite samo ako je odmotan.

18 Budite uvijek pozorni

- ⚠ Pazite na ono što radite. Radite razumno. Električni alat ne rabite ako niste koncentrirani.

19 Provjerite ima li na električnom alatu možebitnih oštećenja

- Prije daljnje uporabe električnog alata pažljivo provjerite funkcioniraju li zaštitne naprave ili lako oštećeni dijelovi ispravno i namjenski.
- Provjerite funkcioniraju li pomični dijelovi ispravno i da ne zapinju te jesu li dijelovi oštećeni. Svi dijelovi moraju biti ispravno montirani i ispunjavati sve uvjete kako bi se osigurao ispravan rad električnog alata.
- Pomični štitičnik ne smije zapinjati kad je otvoren.
- Ovlaštena specijalizirana radionica mora namjenski popraviti ili zamijeniti oštećene zaštitne naprave i dijelove, osim ako nije drukčije navedeno u priručniku za uporabu.
- Oštećene sklopka mora zamijeniti ovlaštena servisna radionica.
- Ne rabite neispravne ili oštećene električne kabele.
- Ne rabite električne alate kod kojih se sklopka ne može uključiti i isključiti.

20 POZOR!

- Pri dvostrukom kutnom rezanju potreban je poseban oprez.

21 POZOR!

- Uporaba drugih nasadnih alata i drugog pribora može predstavljati opasnost od ozljeda za vas.

22 Popravak električnog alata prepustite elektrotehničaru

- Ovaj električni alat ispunjava važeće sigurnosne propise. Popravke smije obaviti samo elektrotehnički stručnjak uporabom originalnih rezervnih dijelova; u suprotnom korisnik može doživjeti nezgode.

23 Kabel ne rabite za svrhe za koje nije namijenjen.

- Ne rabite kabel kako biste izvukli utikač iz utičnice. Zaštitite kabel od vrućine, ulja i oštih bridova.

DODATNE SIGURNOSNE NAPOMENE

1 Sigurnosne mjere

- **⚠ Upozorenje!** Ne rabite oštećene, napuknute ili deformirane listove pile.
- Zamijenite pohabani stolni umetak.
- Rabite samo listove pile prema preporuci proizvođača koji ispunjavaju normu EN 847-1.
- **⚠ Upozorenje!** Pri zamjeni lista pile vodite računa o tome da širina reza ne bude manja, a debljina čeličnog lista veća od debljine rastavnog klina!
- Svakako odaberite materijal koji je prikladan za dotični list pile.
- Nosite prikladnu osobnu zaštitnu opremu.. Ona obuhvaća sljedeće:
Zaštitu za sluh radi smanjivanja rizika od gubitka sluha,
Zaštitu za disanje radi smanjivanja rizika od udisanja opasne prašine.
- Pri rukovanju listovima pile i hrapavim materijalima nosite rukavice.
- Kad god je to praktično, listove pile nosite u spremniku.
- Nosite zaštitne naočale. Iskrenje koje nastane tijekom rada ili iverje, piljevina i prašina koje iziđe iz uređaja mogu uzrokovati gubitak vida.
- Pri rezanju drva priključite električni alat na uređaj za hvatanje prašine. Na oslobađanje prašine utječu, među ostalim, vrsta obrađivanog materijala, konstrukcija lokalnog sustava razdvajanja (zahvaćanje ili izvor) i ispravno namještanje poklopaca, vodećih ploča i vodilica.

- Ne rabite listove pile od visokolegiranog brzoreznog čelika (HSS čelika).
- Palicu za guranje ili drvo za guranje uvijek spremite u držač električnog alata kad ih ne rabite.

2 Održavanje i servisiranje

- Pri svim postupcima namještanja i održavanja izvucite električni utikač.
- Na izloženost buci utječu razni čimbenici, među kojima su kakvoća listova pile te stanje lista pile i električnog alata. Po mogućnosti rabite listove pile koji su konstruirani za smanjenje stvaranja buke, redovito održavajte električni alat i nastavke alata te ih servisirajte po potrebi kako biste smanjili buku.
- Neispravnosti na električnom alatu, zaštitnim uređajima ili na nastavku alata prijavite osobi odgovornoj za sigurnost odmah nakon što ih uočite.

3 Siguran rad

- Uporabite palicu za guranje ili ručku s drvom za guranje kako biste izradak sigurno doveli do lista pile.
- Pobrinite se da se uvijek rabi rastavni klin i da je on ispravno namješten.
- Uporabite gornji štitičnik lista pile i ispravno ga namjestite.
- Rabite samo listove pile čija maksimalno dopuštena brzina vrtnje nije manja od maksimalne brzine vrtnje vretena nasadnog alata i koji su namijenjeni za rezani materijal.
- Ne obavljajte pregibe ili utore ako iznad stola za rezanja nije montirana odgovarajuća zaštitna naprava, na primjer tunnelska zaštitna naprava.
- Kružne pile ne smiju se rabiti za proreze (utore koji završavaju u izratku).
- Pri transportu električnog alata rabite samo transportne naprave. Zaštitne naprave nikad ne rabite za rukovanje ili transport.
- Tijekom transporta osigurajte da je gornji dio lista pile pokriven, na primjer zaštitnom napravom.
- Rabite samo razmačne pločice i prstene vretena koji su prikladni za svrhu koju je odredio proizvođač.
- Pod u okolici stroja mora biti ravan, čist i ne smije imati razbacane čestice kao što su piljevina i ostaci rezanja.
- Radni je položaj uvijek bočnog od lista pile.
- Ne uklanjajte ostatke rezanja ili druge dijelove izradaka iz područja rezanja dok stroj radi, a agregat pile još se nije potpuno zaustavio.
- Osigurajte da je stroj uvijek po mogućnosti učvršćen za radionički ili radni stol.
- Duge izratke osigurajte od izdizanja na kraju postupka rezanja (npr. stalkom za kotrljanje ili osloncem).
- **⚠ Pozor!** Nikad ne uklanjajte labavo iverje, piljevinu ili uglavljene drvene dijelove kad list pile radi.
 - Radi otklanjanja neispravnosti ili uklanjanja uglavljenih komada drva isključite stroj. - **Izvucite električni utikač** -
 - Opremanje te namještanje, mjerenje i čišćenje obavljajte samo kad je motor isključen. - **Izvucite električni utikač** -
 - Opremanje te namještanje, mjerenje i čišćenje obavljajte samo kad je motor isključen.

Upozorenje! Ovaj električni alat tijekom rada proizvodi elektromagnetsko polje. To polje u određenim okolnostima može negativno utjecati na aktivne ili pasivne medicinske implantate. Kako biste umanjili opasnost od teških ili smrtnih ozljeda, preporučujemo osobama s medicinskim implantatima da se prije uporabe električnog alata savjetuju s liječnikom i proizvođačem tog medicinskog implantata.

SIGURNOSNE NAPOMENE ZA RUKOVANJE LISTOVIMA PILE

- 1 Umetnite nasadne alate samo ako znate rukovati njima.
- 2 Pazite na maksimalnu brzinu vrtnje. Ne smije se prekoračiti maksimalna brzina vrtnje navedena na nasadnom alatu. Ako je naveden, pridržavajte se raspona brzine vrtnje.
- 3 Pazite na smjer vrtnje motora lista pile.
- 4 Ne rabite nasadne alate s pukotinama. Uklonite napukle nasadne alate. Nije dopušten njihov popravak.
- 5 Očistite stezne površine od prljavštine, masti, ulja i vode.
- 6 Za reduciranje otvora kod listova kružnih pila ne rabite labave redukcijske prstene ili čahure.
- 7 Osigurajte da učvršćeni redukcijски prsteni za osiguravanje nasadnog alata imaju isti promjer i najmanje 1/3 promjera rezanja.
- 8 Osigurajte da su učvršćeni redukcijски prsteni međusobno paralelni.
- 9 Nasadnim alatima rukujte oprezno. Preporučujemo da ih čuvate u originalnom pakiranju ili u posebnim spremnicima. Nosite zaštitne rukavice kako biste poboljšali zahvat i dodatno umanjili rizik od ozljeda.
- 10 Prije uporabe nasadnih alata osigurajte da su sve zaštitne naprave ispravno pričvršćene.
- 11 Prije uporabe provjerite udovoljava li korišteni nasadni alat tehničkih zahtjevima ovog električnog alata i je li ispravno pričvršćen.
- 12 Isporučeni list pile rabite samo za rezanje u drvu, nikad za obradu metala.

Preostali rizici

Električni alat konstruiran je prema stanju tehnike i prihvaćenim pravilima o tehničkoj sigurnosti. No pri radu se mogu pojaviti pojedini preostali rizici.

- Opasnost za zdravlje od električne energije pri uporabi neispravnih električnih kabela.
- Osim toga, unatoč svim poduzetim pripremnim mjerama mogu postojati neočiti preostali rizici.
- Preostale rizike moguće je smanjiti na minimum poštivanjem „Sigurnosnih napomena“ i „Namjenske uporabe“ te cijelog priručnika za rukovanje.
- Ne opterećujte stroj nepotrebno: preveliki pritisak pri rezanju brzo će oštetiti list pile. To može uzrokovati smanjenje snage stroja pri obradi i smanjenje preciznosti rezanja.
- Izbjegavajte nagla pokretanja stroja: pri priključivanju utikača u utičnicu ne pritišćite tipku za rad.
- Uporabite alat koji se preporučuje u ovom priručniku. Tako ćete postići optimalan učinak pile.
- Držite ruke dalje od radnog područja kad stroj radi. Prije namještanja ili održavanja isključite uređaj i izvucite električni utikač.

6. Tehnički podatci

Izmjenični motor	220-240 V~ 50Hz
Snaga	2000 Watt
Način rada	S6 25%*
Brzina vrtnje u praznom hodu	5000 min ⁻¹
List pile od tvrdog metala	ø 250 x ø 30 x 2,8 mm
Broj zubaca	24
Debljina rastavnog klina	2 mm
Dimenzije stola	940 x 642 mm
Visina rezanja maks. 90°	85 mm
Visina rezanja maks. 45°	65 mm
Namještanje visine	0 - 85 mm
Zakretni list pile	0 - 45°
Usisni priključak	ø 35 mm
Masa oko	20,0 kg

* Način rada S6 25%: Neprekidni rad s povremenim opterećenjem (vrijeme rada 10 min). Kako se motor ne bi nedopušteno zagrijao, motor smije raditi 25 % vremena rada s navedenom nazivnom snagom, a zatim mora 75 % vremena rada raditi bez opterećenja.

Vrijednosti buke

Vrijednosti buke utvrđene su prema normi EN 61029.

Razina zvučnog tlaka L _{PA}	91,0 dB(A)
Nesigurnost K _{PA}	3 dB
Razina zvučne snage L _{WA}	104,0 dB(A)
Nesigurnost K _{WA}	3 dB

Nosite zaštitu za sluh.

Djelovanje buke može uzrokovati gubitak sluha. Ukupne vrijednosti vibracija (vektorski zbroj triju smjerova) utvrđene su prema normi EN 61029.

7. Prije stavljanja u pogon

- Stroj se mora postaviti stabilno, tj. vijcima pričvršćen na postolje radioničkog stola.
- Prije stavljanja u pogon moraju biti ispravno montirani svi pokrovi i sve sigurnosne naprave.
- List pile mora se moći slobodno kretati.
- Na obrađenom drvu pazite na strana tijela kao što su čavli ili vijci.
- Prije pritiskanja glavne sklopke provjerite je li list pile ispravno montiran i mogu li se pomični dijelovi slobodno kretati.
- Prije ukopčavanja stroja provjerite odgovaraju li podatci na označnoj pločici vrijednostima električne mreže.
- Ukopčajte stroj samo u ispravno instaliranu utičnicu sa zaštitnim kontaktom koja je zaštićena s najmanje 16 A.

8. Montaža i rukovanje

Pozor! Prije svih postupaka održavanja, opremanja i montaže kružne pile izvucite električni utikač.

Položite isporučene dijelove na ravnu površinu. Grupirajte iste dijelove.

Napomena: Želite li zaštititi spojeve s vijkom (s okruglom glavom ili imbus vijkom), šestobridnim maticama i podložnim pločicama, ispod matice postavite podložnu pločicu.

Vijke utaknite izvana prema unutra, a spojeve zaštitite maticama iznutra.

Napomena: Matice i vijke tijekom montaže zategnite tek toliko da ne mogu ispasti.

Ako matice i vijke pritegnete ili zategnete prije konačne montaže, nećete moći obaviti konačnu montažu.

8.1 Montaža proširenja stola (slika 5)

1. Okrenite pilu i postavite je na pod tako da je stol okrenute prema dolje.
2. Poravnajte proširenje stola (8) sa stolom za rezanje (1).
3. Proširenje stola (8) na stolu za rezanje (1) labavo proširenje stola (8) na stolu za rezanje (1) labavo pričvrstite šestobridnim vijcima (19) i opružnim pločicama (20a), pločicama (20b) i šestobridnim maticama (20). Ponovite postupak na suprotnoj strani.
4. Vijcima pričvrstite potporanj (22) šestobridnim vijcima (19), opružnim prstenom (20a) i pločicama (20b) na proširenje stola (8).
5. Zatim zategnite sve vijke.

8.2 Montaža postolja (slike 6-7.1)

1. Četiri oslonca (18) pričvrstite vijcima na pilu zajedno s potpornjima (22) i šestobridnim maticama (19), opružnim pločicama (20a) i pločicama (20b) (slika 6). Za to uporabite isporučeni ključ lista pile (21a). (Slika 6).
2. Zatim natakните gumena stopala (16a) na oslonce (16) (slika 6.1).
3. Zatim spojite dugi središnji potporanj (18) i kratki središnji potporanj (17) šestobridnim vijcima (19) i šestobridnim maticama (20) na oslonce (16). **Pritom vodite računa o tome da isti potpornji budu jedan nasuprot drugom. Dugi središnji potpornji (18 - označeni sa „B”) moraju se postaviti paralelno radnoj strani pile. (Slika 7).**
4. U otvore u stražnjim osloncima labavo pričvrstite stalak (16b) s po 2 šestobridna vijka (19), opružne pločice (20a), pločice (20b) i šestobridne matice (20). (Slika 7.1)
Pozor!
Oba oslonca moraju se pričvrstiti na stražnju stranu stroja!
5. Zatim zategnite sve vijke i matice postolja.

8.3 Namještanje i montaža rastavnog klina (slika 8-10)

⚠ Pozor! Izvucite električni utikač!

Prije stavljanja u pogon provjerite namještanje rastavnog klina (6).

1. Namjestite list pile (3) na maks. dubinu rezanja, postavite ga u položaj 0° i blokirajte.
2. Križnim odvijačem odvrnite vijak (23) stolnog umetka (2) i izvucite stolni umetak (22) (slika 8).
3. Udaljenost između lista pile (3) i rastavnog klina (6) mora biti maks. 5 mm. (Slika 9)
4. Olabavite pričvrсни vijak (24) i izvadite rastavni klin (6) dok ne namjestite ispravnu udaljenost (slika 10).
5. Zategnite pričvrсни vijak (24) i montirajte stolni umetak (2).

8.4 Montaža i demontaža štitnika lista pile (slike 11-12)

1. Štitnik lista pile (6) s vijkom (25) stavite odozgo na rastavni klin (6) tako da vijak uđe u uzdužni otvor rastavnog klina (6).

2. Ne zatežite vijak (25) prečvrsto, štitnik lista pile (6) mora ostati slobodno pokretan.
3. Usisno crijevo (5) natakните na usisni adapter (26) i usisni nastavak štitnika lista pile (4). Na usisni adapter (26) priključite odgovarajući usisivač piljevine.
4. Demontaža se obavlja obrnutim redoslijedom.
Pozor!
Prije početka rezanja štitnik lista pile (4) mora se spustiti na rezani materijal.

8.5 Zamjena stolnog umetka (slika 8)

1. Stolni umetak (2) zamijenite ako se pohaba ili ošteti, u suprotnom postoji povećana opasnost od ozljeda.
2. Odvrnite vijak (23) križnim odvijačem.
3. Izvadite pohabani stolni umetak (2).
4. Montaža novog stolnog umetka obavlja se obrnutim redoslijedom.

8.6 Montaža i zamjena lista pile (slika 13)

1. **Pozor! Izvucite električni utikač i nosite zaštitne rukavice.**
2. Demontirajte štitnik lista pile (4) (vidi 8.4).
3. Izvadite stolni umetak (2) (vidi 8.5).
4. Otpustite maticu tako da ključ lista pile (21a) stavite na maticu, a drugim ključem lista pile (21b) pridržavate vratilo motora (vidi sliku 22).
5. **Pozor!** Okrenite maticu u smjeru vrtnje lista pile.
6. Skinite vanjsku prirubnicu i izvucite stari list pile s unutarnje prirubnice.
7. Prije montaže novog lista pile prirubnicu lista pile oprezno očistite žičanom četkom.
8. Novi list pile umetnite obrnutim redoslijedom i zategnite.
Pozor! Vodite računa o smjeru kretanja, nagib reznih zubaca mora biti u smjeru kretanja, tj. prema naprijed.
9. Montirajte natrag stolni umetak (2) i štitnik lista pile (4) te ih namjestite (vidi 8.4 i 8.5).
10. Prije nastavka rada s pilom provjerite funkcionalnost zaštitnih naprava.

9. Rukovanje

9.1 Uključivanje i isključivanje (slika 14)

- Pritisnite zeleno tipkalo „I” (11) kako biste uključili pilu. Prije početka rezanja pričekajte da list pile postigne maksimalnu brzinu vrtnje.
- Kako biste isključili pilu, pritisnite crveno tipkalo „0” (11).

9.2 Namještanje dubine rezanja (slika 14)

Okretanjem ručnog kotača za namještanje visine (12) možete list pile (3) namjestiti na željenu dubinu rezanja (kontinuirano).

- Nalijevo: manja dubina rezanja
- Nadesno: veća dubina rezanja

Probним rezanjem provjerite namještanje.

9.3 Namještanje kuta (slika 14)

Stolnom kružnom pilom možete obaviti kutna rezanja nalijevo od 0° do 45° u odnosu na graničnu tračnicu.

⚠ Prije svakog rezanja provjerite da između granične tračnice (e), listića za poprečno rezanje (13) i lista pile (5) ne može doći do sudara.

- Otpustite ručku za učvršćivanje (13).
- Pritiskanjem i okretanjem ručnog kotača (12) namjestite željeni kut na ljestvici.
- Blokirajte ručku za učvršćivanje (13) na željenom kutu.

9.4 Rad s paralelnim graničnikom

9.4.1 Namještanje visine graničnika (slike 15-16)

- Granična tračnica (27) paralelnog graničnika (15) ima dvije vodeće površine različite visine.
- Ovisno o debljini rezanog materijala mora se upotrijebiti granična tračnica (27), prema slici 16 za debeli materijal (za izratke deblje od 25 mm) i prema slici 15 za tanki materijal (za izratke tanje od 25 mm).

9.4.2 Okretanje granične tračnice (slike 15-16)

- Radi okretanja granične tračnice (27) najprije okrenite krilne matice (28).
- Graničnu tračnicu (27) sad možete skinuti s vodeće tračnice (29) i odgovarajućom vodilicom nataknuti natrag na nju.
- Zategnite krilne matice (28).
- Graničnu tračnicu (27) možete po potrebi postaviti lijevo ili desno od vodeće tračnice (29). U tu svrhu montirajte vijke s druge strane vodeće tračnice (29).

9.4.3 Namještanje širine rezanja (slika 17)

- Pri uzdužnom rezanju drvenih dijelova mora se upotrijebiti paralelni graničnik (15).
- Paralelni graničnik (15) mora se montirati na desnu stranu lista pile (3).
- Paralelni graničnik (15) stavite odozgo na vodeću tračnicu paralelnog graničnika (14).
- Na vodećoj tračnici paralelnog graničnika (14) nalaze se 2 ljestvice koje prikazuju udaljenost između paralelnog graničnika (15) i lista pile (3).
- Ovisno o tome je li granična tračnica (27) okrenuta za obradu debelog ili tankog materijala odaberite odgovarajuću ljestvicu:
Visoka granična tračnica (debeli materijal):
Niska granična tračnica (tanki materijal):
- Namjestite paralelni graničnik (15) na željenu veličinu i učvrstite ekscentričnom polugom paralelnog graničnika (30).

9.5 Poprečni graničnik (slika 18)

- Stavite poprečni graničnik (13) u utor (31) stola za rezanje.
- Olabavite vijak s ručkom (32).
- Okrećite poprečni graničnik (7) dok ne namjestite željeni kut. Strelica na poprečnom graničniku prikazuje namješteni kut.
- Zategnite nazubljeni vijak (32).
- Granična tračnica (34) može se pomicati na poprečnom graničniku (13). U tu svrhu otpustite matice (33) i pomaknite graničnu tračnicu (34) u željeni položaj. Zategnite matice (34).

Pozor!

- Ne pomičite graničnu tračnicu (34) predaleko u smjeru lista pile.
- Udaljenost između granične tračnice (34) i lista pile (3) mora biti oko 2 cm.

10. Rad

Napomene za rad

Nakon svakog namještanja preporučujemo probno rezanje radi provjere namještenih dimenzija. Nakon uključivanja pile pričekajte da list pile postigne maksimalnu brzinu vrtnje, a tek zatim počnite rezanje.

Duge izratke osigurajte od izdizanja na kraju postupka rezanja (npr. stalkom za kotrljanje itd.).

Pozor pri zarezivanju

Uređaj smije raditi samo s usisnim sustavom. Redovito provjeravajte i čistite usisne kanale.

Prikladnost listova pile:

- 24 zubaca: meki materijali, veliko prihvaćanje piljevine, grub uzorak rezanja
- 48 zubaca: tvrdi materijali, malo prihvaćanje piljevine, finiji uzorak rezanja

10.1 Obavljanje uzdužnih rezanja (slika 19)

Ovim se postupkom izradak reže u uzdužnom smjeru.

Jedan rub izratka pritisnite na paralelni graničnik (15), dok ravna strana mora nalijegati na stol za rezanje (1). Štitnik lista pile (4) mora se uvijek spustiti na izradak. Radni položaj pri uzdužnom rezanju ne smije nikad biti paralelan sa smjerom rezanja.

- Paralelni graničnik (15) namjestite prema visini izratka i željenoj širini. (vidi 9.4)
- Uključite pilu.
- Ruke sa zatvorenim prstima položite ravno na izradak i pomičite izradak po paralelnom graničniku (15) kroz list pile (3).
- Bočnu vodilicu pomičite lijevom ili desnom rukom (ovisno o položaju paralelnog graničnika) samo do prednjeg ruba štitnika lista pile (4).
- Izradak uvijek gurnite do kraja rastavnog klina (6).
- Otpadak od rezanja ostat će na stolu za rezanje (1) dok se list pile (3) ne zaustavi.
- Duge izratke osigurajte od izdizanja na kraju postupka rezanja. (npr. stalkom za kotrljanje itd.)

10.1.1 Rezanje uskih izradaka (slika 20)

Uzdužna rezanja izradaka širine manje od 120 mm moraju se svakako obavljati s pomoću palice za guranje (9). Palica za guranje sadržana je u isporučenoj opremi. Pohabanu ili oštećenu palicu za guranje odmah zamijenite.

- Paralelni graničnik namjestite prema predviđenoj širini izratka. (vidi 9.4)
- Izradak gurajte objema rukama, a na području lista pile svakako uporabite palicu za guranje (9) kao pomagalo za guranje.
- Izradak uvijek gurnite do kraja rastavnog klina.

⚠ Pozor! Za kratke izratke uporabite palicu za guranje već na početku rezanja.

10.1.2 Obavljanje kosih rezanja (slika 21)

Kosa rezanja načelno se obavljaju s pomoću paralelnog graničnika (15).

- Namjestite list pile na željeni kut. (vidi 9.3)
- Namjestite paralelni graničnik (15) ovisno o širini i visini izratka (vidi 9.4).
- Obavite rezanje prema širini izratka (vidi 10.1).

10.2 Obavljanje poprečnih rezanja (slika 22)

Gurnite poprečni graničnik (7) u jedan od dvaju utora (31a/b) stola za rezanje i namjestite ga na željeni kut (vidi 9.5). Ako se list pile (3) mora i nakositi, uporabite utor (31a) koji onemogućava da vaša šaka i poprečni graničnik dođu u dodir sa štitnikom lista pile.

- Uporabite graničnu tračnicu.
- Pritisnite izradak na poprečni graničnik (7).
- Uključite pilu.
- Pomičite poprečni graničnik (7) i izradak u smjeru lista pile kako biste obavili rezanje.

Pozor:

Uvijek čvrsto držite vođeni izradak, a nikad slobodni izradak koji se reže.

- Gurajte poprečni graničnik (7) uvijek toliko da se izradak potpuno odreže.
- Isključite pilu. Otpatke od rezanja uklonite tek kad se list pile zaustavi.

10.3 Rezanje iverica

Kako bi se onemogućilo odlamanje reznih rubova pri rezanju iverica, list pile (3) ne smije se namjestiti više od 5 mm iznad debljine izratka (vidi i točku 9.2).

11. Transport

1. Prije svakog transporta isključite električni alat i iskopčajte ga iz električne mreže.
2. Za nošenje električnog alata potrebne su najmanje dvije osobe, ne dirajte proširenja stroja.
3. Zaštitite električni alat od udaraca, udara i jakih vibracija, npr. pri transportu u vozilima.
4. Zaštitite električni alat od prevrtanja i klizanja.
5. Zaštitne naprave nikad ne rabite za rukovanje ili transport.

12. Održavanje

⚠ Upozorenje! Prije svakog namještanja, održavanja ili popravka izvucite električni utikač!

12.1 Opće mjere održavanja

- Zaštitne naprave, ventilacijske otvore i kućište motora čistite od prašine i prljavštine. Očistite uređaj čistom krpom ili ga ispušite niskotlačnim stlačenim zrakom.
- Preporučujemo da uređaj očistite odmah nakon svake uporabe.
- Uređaj redovito čistite vlažnom krpom i mazivim sapunom. Ne rabite sredstva za čišćenje ili otapala; ona bi mogla nagristi plastične dijelove uređaja. Pobrinite se da voda ne može ući u unutrašnjost uređaja.
- Jedanput na mjesec nauljite rotirajuće dijelove kako biste produljili radni vijek alata. Ne podmazujte motor.

12.2 Ugljene četkice

- Pri prekomjernom iskrenju neka elektrotehnički stručnjak provjeri ugljene četkice. Pozor! Ugljene četkice smije zamijeniti samo elektrotehnički stručnjak.

13. Skladištenje

Uređaj i njegov pribor uskladištite na tamnom, suhom mjestu koje je zaštićeno od zamrzavanja i nepristupačno je za djecu. Optimalna je skladišna temperatura između 5 i 30 °C.

Čuvajte električni alat u originalnom pakiranju. Pokrijte električni alat kako biste ga zaštitili od prašine ili vlage.

Listove pile i ključeve koje ne rabite možete spremati kao što je prikazano na slici 23.

Spremite priručnik za rukovanje pored električnog alata.

14. Priklučivanje na električnu mrežu

Montirani elektromotor priključen je pripravan za rad. Priključak ispunjava važeće propise VDE i DIN. Električni priključak na mjestu uporabe i korišteni produžni kabel moraju ispunjavati te propise.

- Proizvod ispunjava zahtjeve norme EN 61000-3-11 i podliježe uvjetima posebnog priklučivanja. To znači da nije dopuštena uporaba na proizvoljnim, slobodno odabranim spojnim točkama.

- Uređaj može uzrokovati privremena kolebanja napona u nepovoljnim uvjetima električne mreže.
- Proizvod je predviđen za uporabu samo na lokacijama koje čija se električna mreža može opteretiti trajnom strujom od najmanje 100 A po fazi i koji se napajaju s razvodne mreže s nazivnim naponom od 230 V.
- Vi kao korisnik morate osigurati, po potrebi i u dogovoru s elektrodistribucijskom tvrtkom, da je opterećenje električne mreže trajnom strujom na spojnoj točki s javnom mrežom dovoljno za priklučivanje proizvoda.

Važne napomene

Ako se motor preoptereći, automatski će se isključiti. Nakon hlađenja (vremenski se razlikuje) motor će se moći ponovno uključiti.

Oštećeni električni kabel

Ne električnim kabelima često nastaju oštećenja izolacije.

Uzroci toga mogu biti sljedeći:

- Pritisnuta mjesta, ako se kabeli provode kroz prozore ili procjepe u vratima.
- Pregibi zbog neispravnog učvršćivanja ili provođenja električnog kabela.
- Posjekotine zbog gaženja električnog kabela.
- Oštećenja izolacije zbog čupanja iz zidne utičnice.
- Pukotine zbog starenja izolacije.

Takvi oštećeni električni kabeli ne smiju se rabiti i zbog oštećenja izolacije opasni su za život.

Redovito provjeravajte jesu li električni kabeli oštećeni. Pri provjeri osigurajte da kabel nije priključen na električnu mrežu.

Električni kabeli moraju ispunjavati važeće propise VDE i DIN. Rabite samo električne kabele s oznakom H05VV-F. Otišak oznake tipa na električnom kabelu je obavezan.

Izmjenični motor

- Mrežni napon mora biti 230 V~.
- Produžni kabeli moraju imati duljinu do 25 m i poprečni presjek od 1,5 mm².

Priključivanja i popravke električne opreme smije obaviti samo elektrotehnički stručnjak.







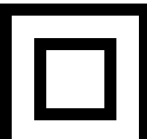
Imate li pitanja, navedite sljedeće podatke:

- Vrsta struje motora
- Podatci s označne pločice stroja
- Podatci s označne pločice motora

15. Otklanjanje neispravnosti

Neispravnost	Mogući uzrok	Rješenje
1. List pile otpušta se nakon isključivanja motora	Pričvrсна matica nije dovoljno zategnuta	Zategnite pričvrсну maticu s desnim navojem
2. Motor se ne pokreće	a) Kvar mrežnog osigurača	a) Provjerite mrežni osigurač
	b) Neispravan produžni kabel	b) Zamijenite produžni kabel
	c) Neispravni priključci na motoru ili sklopki	c) Dajte na pregled električaru
	d) Neispravan motor ili sklopka	d) Dajte na pregled električaru
3. Pogrešan smjer vrtnje motora	a) Neispravan kondenzator	a) Dajte na pregled električaru
	b) Pogrešan priključak	b) Neka električar zamijeni polaritet zidne utičnice
4. Motor ne proizvodi snagu, osigurač se aktivira	a) Nedovoljan presjek produžnog kabelad	a) Vidi „Električni priključak”
	b) Preopterećenje zbog tupog lista pile	b) Zamijenite list pile
5. Zagorjela površine rezanja	a) Tup list pile	a) Naoštrite ili zamijenite list pile
	b) Pogrešan list pile	b) Zamijenite list pile

Obrazložitev simbolov na napravi

	<p>(SI)</p>	<p>Opozorilo! Pri neupoštevanju navodil je možna življenjska nevarnost, tveganje pred poškodbami ali poškodbami orodja!</p>
	<p>(SI)</p>	<p>Pred zagonom preberite navodila za uporabo in varnostne napotke ter jih upoštevajte!</p>
	<p>(SI)</p>	<p>Nosite zaščitna očala!</p>
	<p>(SI)</p>	<p>Nosite zaščito sluha!</p>
	<p>(SI)</p>	<p>Pri prašenju nosite zaščito dihal!</p>
	<p>(SI)</p>	<p>Pozor! Nevarnost poškodb! Ne posegajte v delujoč žagin list!</p>
	<p>(SI)</p>	<p>razred zaščite II</p>

1. Uvod

PROIZVAJALEC:

scheppach
 Fabrikation von Holzbearbeitungsmaschinen GmbH
 Günzburger Straße 69
 D-89335 Ichenhausen

SPOŠTOVANI KUPEC,

želimo vam veliko veselja in uspeha pri delu z vašim novim strojem.

OB VESTILO :

V skladu z veljavnim zakonom o varnosti izdelkov proizvajalec te naprave ni odgovoren za poškodbe nastale na napravi ali z uporabo te naprave zaradi:

- neprimerne uporabe,
- neupoštevanja navodil za uporabo,
- popravila s strani nepooblaščenih neusposobljenih oseb,
- vgradnje in zamenjave neoriginalnih rezervnih delov,
- neprimerne uporabe,
- napak na električnem sistemu, nastalih zaradi neupoštevanja električne specifikacije za napravo in pravil VDE 0100, DIN 57113/ VDE 0113.

PRIPOROČILA:

Pred sestavo in uporabo stroja preberite celotna navodila za uporabo.

Navodila so namenjena vašemu lažjemu spoznavanju s strojem, njegovo pravilno rabo ter načini uporabe. Priročnik za uporabo vsebuje pomembna navodila o tem kako varno, ustrezno in ekonomično delati z vašim strojem, kako se izogniti nevarnosti, prihraniti stroške in skrajšati čas popravila ter izboljšati zanesljivost in podaljšati življenjsko dobo vašega stroja.

Poleg navodil za varno delovanje naštetih v tem priročniku, morate vedno upoštevati vse predpise za varno delo, ki veljajo v vaši državi.

Navodila za uporabo hranite v bližini stroja. Hranite jih v prozorni plastični mapi in jih s tem zaščitite pred vlago in umazanijo. Z navodili mora biti seznanjen vsak posameznik pred pričetkom dela s strojem. Stroj lahko uporabljajo le osebe, ki so bile usposobljene za njegovo uporabo in so seznanjene z nevarnostmi povezanimi z uporabo stroja. Upoštevati je potrebno minimalno starostno mejo za delo s strojem.

Poleg tukaj navedenih varnostnih navodil in posebnih predpisov, ki veljajo v vaši državi, je potrebno pri delu s strojem upoštevati še splošno uveljavljena tehnična pravila za rokovanje z napravami za obdelovanje lesa.

Ne prevzemamo nikakršne odgovornosti za nezgode in poškodbe, nastale zaradi neupoštevanja teh navodil in varnostnih napotkov.

2. Opis naprave (Sl. 1-4)

1. Miza za žaganje
2. Vložek mize
3. Žagin list
4. Zaščita žaginega lista
5. Sesalna cev
6. Zagozda
7. Prečni prislon
8. Razširitev mize
9. Potisni drog
10. Podnožje
11. Stikalo vklop/izklop
12. Ročno kolo
13. Nastavni ročaj
14. Vodilne tirnice
15. Vzporedno vodilo
16. Noge
- 16a Guminés atramos
- 16b Stovo lankas
17. Srednja prečka, dolga
18. Srednja prečka, kratka
19. Šestrobni vijak
20. Šestrobna matica
21. Ključ za žagin list
- 21a Spyruoklinéé poveržžléé
- 21b Poveržžléé
22. Apsauginis skersinis

3. Obseg dobave

- Odprite embalažo in previdno vzemite napravo iz embalaže.
- Odstranite embalažni material in embalažne in transportne varovalne priprave (če obstajajo).
- Preverite, če je obseg dobave popoln.
- Preverite morebitne poškodbe naprave in delov pribora, do katerih bi lahko prišlo med transportom.
- Po možnosti shranite embalažo do poteka garancijskega roka.

POZOR

Naprava in embalažni material nista igrača za otroke! Otroci se ne smejo igrati s plastičnimi vrečkami, folijo in malimi deli opreme! Obstaja nevarnost zaдушitve in zaužitja takšnih delov materiala!

4. Predpisana namenska uporaba

Namizna krožna žaga je namenjena za vzdolžno in prečno žaganje (le s prečnim prislonom) lesa vseh vrst, primernih za velikost te žage. Okroglega lesa oz. hlodovine se s to žago ne sme žagati. Napravo je dovoljeno uporabljati samo za namene, za katere je bila izdelana.

Vsaka druga uporaba šteje kot nenamenska nedovoljena uporaba. Za kakršnekoli poškodbe ali škodo, ki bi nastale zaradi nedovoljene uporabe, nosi odgovornost uporabnik/upravljalac in ne proizvajalec.

Uporabljajo se lahko le ustrezni žagini listi (HMali CV-žagini listi).

Uporaba HSS-žaginih listov in rezalnih plošč vseh vrst je prepovedana. Del smotrne namenske uporabe je tudi upoštevanje varnostnih navodil, kot tudi navodil za montažo in navodil za upravljanje, ki so v navodilih za uporabo. Osebe, ki ta stroj upravljajo in vzdržujejo, morajo

biti seznanjeni s temi navodili in biti poučeno o možnih nevarnostih. Poleg tega pa se je treba točno držati vseh veljavnih predpisov za preprečevanje nesreč. Potrebno je upoštevati tudi ostala splošna pravila v delovnem medicinskem in varnostno tehničnem področju.

⚠ Pozor!

Pri uporabi naprav je potrebno upoštevati nekaj varnostnih ukrepov, da bi preprečili poškodbe in materialno škodo. Zato skrbno preberite ta navodila za uporabo/varnostne napotke. Le-te dobro shranite tako, da boste imeli zmeraj pri roki potrebne informacije. Če bi napravo izročili drugim osebam, Vas prosimo, da jim izročite tudi ta navodila za uporabo/varnostne napotke. Ne prevzemamo nobene odgovornosti za nezgode ali škodo, ki bi nastale zaradi neupoštevanja teh navodil za uporabo in varnostnih napotkov.

Spremembe stroja istočasno izključujejo jamstvo proizvajalca in jamstvo za napake, ki nastanejo zaradi tega. Kljub smotrni namenski uporabi pa se ne morejo popolnoma odstraniti določeni faktorji preostalega tveganja. Zaradi konstrukcije in postavitve stroja lahko nastopijo naslednja tveganja:

- Dotikanje žaginega lista na tistem delu, ki ni pokrit.
- Poseganje v vrteč se žagin list (nevarnost vreznine)
- Povratni udarec obdelovanca ali delov obdelovanca.
- Lomi žaginega lista.
- Izmetavanje poškodovanih delov trdine žaginega lista.
- Poškodba sluha pri neuporabi glušnikov.
- Zdravju škodljive emisije prahu pri uporabi v zaprtih prostorih.

⚠ Prosimo, da upoštevate, da naše naprave niso bile konstruirane za namene uporabe v obrtništvu ali industriji. Ne prevzemamo nobene odgovornosti, če je bila naprava uporabljena v obrtništvu ali industriji ter v podobnih dejavnostih.

5. Pomembni napotki

⚠ **Pozor!** Pri uporabi električnih orodij je treba zaradi zaščite pred električnim udarom, nevarnostjo poškodb in požara upoštevati sledeče temeljne varnostne ukrepe. Pred uporabo električnega orodja preberite vse te napotke in jih varno shranite.

Varno delo

- 1 Vzdržujte Vaše delovno območje v dobrem redu**
 - Nered v delovnem območju predstavlja nevarnost za nezgodo.
- 2 Upoštevajte vplive okolja**
 - Ne izpostavljajte električnega okolja dežju.
 - Ne uporabljajte električnega orodja v vlažnem ali mokrem okolju.
 - Poskrbite za dobro osvetljavo.
 - Električnih orodij ne uporabljajte, če obstaja nevarnost požara ali eksplozije.
- 3 Zaščitite se pred električnim udarom**
 - S telesom se ne dotikajte ozemljenih delov, npr. cevi, grelnih teles, štedilnikov, hladilnikov.
- 4 Otroci naj se ne nahajajo v bližini!**
 - Ne dovolite, da bi se druge osebe dotikale orodja ali kabla, naj se ne nahajajo v Vašem delovnem območju.
- 5 Dobro shranjujte Vaše orodje**
 - Neuporabljano orodje morate shranjevati v suhem, zaprtim in za otroke nedostopnem prostoru.
- 6 Ne preobremenjujte Vašega orodja**
 - Delali boste bolje in varneje znotraj navedenega močnostnega območja.

7 Uporabljajte pravo orodje

- Ne uporabljajte slabega orodja ali dodanih naprav za težka dela.
- Ne uporabljajte orodja za namene in dela, za katere orodje ni namenjeno; na primer ne uporabljajte ročne krožne žage za podiranje dreves ali rezanje vej.
- Električnega orodja ne uporabljajte za žaganje drv.

8 Nosite ustrezna delovna oblačila

- Ne nosite ohlapnih oblačil ali nakita. Le-te lahko zagrabijo premični deli naprave.
- Pri delu na prostem je priporočena uporaba obutve, ki je odporna proti drsenju.
- Če imate dolge lase, pri delu uporabljajte mrežico za lase.

9 Uporabljajte zaščitno opremo.

- Nosite zaščitna očala.
- Pri delih, kjer se praši, uporabljajte dihalno masko.

10 Priključujte opremo za odsesavanje prahu

- Če obstajajo naprave za priključitev opreme za odsesavanje prahu, se prepričajte, da bodo le-te prikjučene in uporabljane.
- Uporaba v zaprtih prostorih je dovoljena samo z ustrežno napravo za odsesavanje.

11 Zavarujte obdelovanec

- Uporabljajte vpenjalne naprave ali primež za držanje obdelovanca. S tem se bo obdelovanec nahajal v čvrstem položaju kot pa, če bi ga držali z roko in omogočeno Vam bo izvajanje dela z obema rokama.
- Pri dolgih obdelovancih je potrebna dodatna podlaga (miza, stojalo, itd.), da preprečite prevrnitev stroja.
- Obdelovanec zmeraj potiskajte proti delovni plošči in naslonu, da preprečite majanje oz. obračanje obdelovanca.

12 Izogibajte se nenaravni držji telesa.

- Pazite, da stojite varno in da vedno ohranjate ravnotežje.
- Izogibajte se nerodnim položajem rok, pri katerih bi se zaradi nenadnega zdrsa ena ali obe roki lahko dotaknili žaginega lista.

13 Skrbno negujte Vaše orodje

- Vzdržujte Vaše orodje v ostrem in čistem stanju, da boste lahko delali varno.
- Upoštevajte predpise za vzdrževanje in napotke za zamenjavo orodja.
- Redno preverjajte vtičak in kabel in ju dajte v primeru poškodbe popraviti priznanemu strokovnjaku.
- Redno preverjajte kabelski podaljšek in ga po potrebi zamenjajte.
- Ročaje vzdržujte v suhem stanju in brez prisotnosti olja in maščobe.

14 Vtič odklopite iz vtičnice.

- Drobcev, trsk ali zataknenih delčkov lesa ne odstranjujte, medtem ko žagin list deluje.
- Ob neuporabi električnega orodja, pred vzdrževanjem in pri menjavi orodij, kot npr. žagin list, vrtalnik, rezkalnik.

15 Ne puščajte na napravi nikakršnih ključev za orodje

- Pred vklopom preverite, če ste odstranili ključ in nastavljalo orodje.

16 Izogibajte se nenamernemu zagonu.

- Pred vklopom vtiča v vtičnico se prepričajte, da je stikalo izklopljeno.

17 Kabelski podaljšek uporabljajte na prostem.

- Na prostem uporabljajte samo dovoljene in ustrezno označene kabelske podaljške.
- Kabelski boben uporabljajte samo, ko je odvit.

18 Bodite pozorni.

- Pazite, kaj delate. Dela se lotevajte pametno. Električnega orodja ne uporabljajte, če niste koncentrirani.

19 Preverjajte poškodbe na Vaši napravi

- Pred nadaljnjo uporabo orodja je potrebno zaščitne priprave ali lažje poškodovane dele skrbno pregledati glede brezhibnega in smotrnega namenskega delovanja.
- Preverite, če premični deli dobro delujejo, če se ne zatikajo ali, če so deli poškodovani. Vsi deli morajo biti pravilno montirani, da bo zagotovljena varnost naprave.
- Premičnega zaščitnega pokrova v odprtem stanju ne smete zatikati.
- Poškodovane zaščitne priprave in del je potrebno po vseh pravih datih popraviti ali zamenjati v priznani strokovni delavnici, v kolikor v navodilih za uporabo ni navedeno drugače.
- Poškodovana stikala morate dati zamenjati v delavnici servisne službe.
- Ne uporabljajte pomanjkljivih ali poškodovanih priključnih vodov.
- Ne uporabljajte orodja, pri katerem se stikalo za vklop/izklop ne da vklopiti oz. izklopiti.

20 POZOR!

- Pri dvojnih zajeralnih rezih bodite še posebej pozorni.

21 POZOR!

- Uporaba drugih vložnih orodij in drugega pribora lahko za vas predstavlja nevarnost.

22 Vaše električno orodje naj popravlja strokovnjak za elektriko.

- To orodje je v skladu z vsemi zadevnimi varnostnimi predpisi. Popravila smejo izvajati samo elektro strokovnjaki, v nasprotnem lahko uporabnik utрпи nezgode.

23 Kabla na uporabljajte za druge namene

- Orodja ne prenašajte za kabel in kabla ne uporabljajte za izvlačenje vtikača iz vtičnice. Kabel varujte pred toploto, oljem in pred ostrimi robovi.

DODATNI VARNOSTNI NAPOTKI

1 Varnostni ukrepi

- **⚠ Opozorilo!** Deformiranih ali razpokanih listov žage ne smete uporabljati.
- Obrabljen vstavek za mizo zamenjajte.
- Uporabljajte samo žagine liste, ki jih priporoča proizvajalec in ustrezajo standardu EN 847-1. **⚠ Opozorilo!** Pri zamenjavi lista žage pazite na to, da debelina rezanja ne bo manjša in debelina lista žage ne veeja od debeline rezne zagozde.
- Pazite, da za material, ki ga boste rezali, uporabite primeren žagin list.
- Nosite primerno osebno varovalno opremo. To vključuje:
 - Zaščito za sluh zaradi zmanjšanja tveganja nastanka naglušnosti,
 - zaščito dihalnih poti zaradi zmanjšanja tveganja vdihovanja nevarnega prahu,
- nošenje rokavic pri delu z žaginimi listi in grobimi materiali.
- Žagine liste nosite v posodi, kadar je to mogoče.
- Nosite zaščitna očala. Med delom nastajajo iskre ali drobci, trske in prah, ki jih izvrže iz naprave, ki lahko povzročijo izgubo vida.
- Ko žagate les, priključite električno orodje na zbiralno napravo za prah. Na sproščanje prahu med drugim vplivajo vrsta materiala, ki ga boste obdelovali, pomen lokalnega ločevanja (zbiranje ali vir) in pravilna nastavitve pokrovov / usmerjalnih pločevin / vodil.

- Ne uporabljajte žaginih listov iz visoko legiranega hitroreznega jekla (jeklo HSS).
- Ko potisnega kosa ali ročaja za potisni les ne uporabljate, ga vedno hranite na stroju.

2 Oskrbovanje in vzdrževanje

- Pri vseh nastavljalnih in oskrbovalnih delih izvlecite vtič.
- Na nastajanje hrupa vplivajo različni faktorji, med drugim kakovost žaginih listov, stanje žaginega lista in električnega orodja. Če je mogoče, uporabljajte žagine liste, ki so konstruirani za zmanjšanje nastanka hrupa, redno vzdržujte električno orodje in orodne nastavke ter jih po potrebi popravite, da zmanjšate hrup.
- Napake na električnem orodju, zaščitnih pripravah ali na orodnem nastavku sporočite osebi, odgovorni za varnost, takoj ko jih odkrijete.

3 Varno delo

- Uporabljajte potisni kos ali ročaj s potisnim lesom, da boste varno vodili obdelovanec ob listu žage.
- Pravilno nastavite in uporabljajte režno zagozdo.
- Uporabljajte zgornjo zaščitno pripravo in jo tudi pravilno nastavite.
- Uporabljajte samo žagine liste, katerih največje dovoljeno število vrtljajev ni manjše od največjega števila vrtljajev vretena namizne krožne žage, in takšne, ki so primerne za material za rezanje.
- Ne izvajajte rezov preko utorov ali zarez brez, da bi nad žagino mizo namestili ustrezno zaščitno pripravo, kot je n.pr. tunelska zaščitna priprava.
- Krožne žage se ne smejo uporabljati za zarezovanje (zareza, ki se konča v obdelovancu).
- Prepričajte se, da se žagin list na nobeni točki ne dotika vrtljive mize. To storite tako, da izvlecete vtič in žagin list ročno obračate v položaju 45° in 90°. Po potrebi na novo nastavite glavo žage.
- Pri transportu električnega orodja uporabljajte samo transportne priprave. Za uporabo ali transport nikoli ne uporabljajte zaščitnih priprav.
- Pazite, da je med transportom spodnji del žaginega lista pokrit, na primer z zaščitno pripravo.
- Pazite, da boste uporabljali samo takšne distančnike in vretenaste obroče, ki so primerni za namen, ki ga določi proizvajalec.
- Tla v okolici stroja morajo biti ravna, čista in brez odpadnih delcev, kot npr. trsk in ostankov žaganja.
- Delovni položaj je zmeraj stransko od žaginega lista.
- Z območja žaganja ne odstranjujte ostankov žaganja ali drugih delcev obdelovancev, medtem ko stroj deluje in žagin list še ni v mirovanju.
- Pazite, da je stroj, vedno ko je to mogoče, zmeraj pritrjen na delovno ploščo ali mizo.
- Dolge obdelovance na koncu postopka žaganja zavarujte pred prevrnitvijo (npr. z odvijalnim stojalom ali podstavkom na kolesih).
- **⚠ Pozor!** Nikoli ne odstranjujte iver, ostružke ali zagozdene kose lesa med tem, ko žagin list deluje.
 - Da bi odpravili motnje ali odstranili zagozdene lesene kose, stroj izklopite. - **Potegnite električni omrežni vtič iz električne priključne vtičnice** -
 - Predelave ter vse nastavitve, meritve in čiščenje je treba izvesti izključno pri izključenem motorju. - **Izvlomite omrežni vtič** -
 - Pred vklopom preverite, ali so odstranjeni vsi ključi in orodja za nastavljanje.

Opozorilo! To električno orodje med delovanjem ustvarja elektromagnetno polje. To polje lahko v določenih okoliščinah vpliva na aktivne ali pasivne medicinske vsadke. Zaradi zmanjšanja nevarnosti resnih ali smrtnih poškodb, osebam z medicinskimi vsadki priporočamo, da se pred uporabo električnega orodja posvetujejo s svojim zdravnikom ali proizvajalcem medicinskega vsadka.

VARNOSTNI NAPOTKI ZA RAVNANJE Z ŽAGINIMI LISTI

- 1 Vložna orodja uporabljajte le, če obvladate delo z njimi.
- 2 Upoštevajte največje število vrtljajev. Največjega števila vrtljajev, navedenega na vložnem orodju, ne smete prekoračiti. Če je zahtevano, upoštevajte območje števila vrtljajev.
- 3 Upoštevajte smer vrtenja motorja in žaginega lista.
- 4 Ne uporabljajte vložnih orodij z razpokami. Vložnih orodij z razpokami ne uporabljajte. Popravilo ni dovoljeno.
- 5 Z vpenjalnih površin očistite umazanijo, mast, olje in vodo.
- 6 Ne uporabljajte zrahljanih reducirnih obročev ali puš za reduciranje izvrtin pri listih krožne žage.
- 7 Pazite, da imajo fiksirani reducirni obroči za zavarovanje orodja enak premer in najmanj 1/3 premera reza.
- 8 Prepričajte se, da so fiksirani reducirni obroči med seboj vzporedni.
- 9 Z vložnimi orodji ravnajte previdno. Shranite jih v originalni embalaži ali v posebnih posodah. Nosite zaščitne rokavice, da izboljšate varnost prijema in dodatno zmanjšate tveganje poškodb.
- 10 Pred uporabo vložnih orodij se prepričajte, da so vse zaščitne priprave ustrezno pritrjene.
- 11 Pred uporabo se prepričajte, da vložno orodje, ki ga uporabljate, ustreza tehničnim zahtevam tega električnega orodja in je ustrezno pritrjeno.
- 12 Priložen žagin list uporabljajte samo za žaganje lesa, nikoli za obdelavo kovin.

Ostala tveganja

Stroj je narejen skladno s stanjem v tehniki in priznanimi varnostno tehničnimi pravili. Kljub temu lahko pride pri delu do pojava ostalih tveganj.

- Če ne uporabljajte električnih vodnikov, ki so skladni s predpisi, lahko pride do nevarnosti za zdravje zaradi elektrike.
- Poleg tega so lahko kljub vsem zadevnim preventivnim ukrepom prisotna ostala tveganja, ki niso očitna.
- Ostala tveganja lahko minimizirate, če skupaj upoštevate „varnostne napotke“ in „namensko uporabo“ ter navodila za uporabo.
- Stroja ne obremenjujte po nepotrebem: če je pritisk pri žaganju prevelik, se list žage hitro poškoduje, kar lahko povzroči zmanjšanje moči stroja pri obdelovanju in vpliva na natančnost rezanja.
- Izogibajte se naključnemu zagonu stroja: Ko vtikač vtaknete v vtičnico, tipka za aktiviranje ne sme biti pritisnjena.
- Uporabite orodje, ki je priporočeno v tem priročniku. S tem dosežete, da vaša čelilna žaga doseže optimalno moč.
- Kadar stroj deluje, roke ne smete vstaviti v cono obdelovanja.
- Preden izvedete določene operacije, izpustite tipko na ročaju in izklopite stroj.

6. Tehnični podatki

Motor na izmenični tok	220-240 V~ 50Hz
Moč	2000 Watt
Način obratovanja	S6 25%*
Število vrtljajev v prostem teku	5000 min ⁻¹
Žagin list iz trde kovine	∅ 250 x ∅ 30 x 2,8 mm
Število zob	24
Debeli cepilec	2 mm
Velikost mize	940 x 642 mm
Rezalna višina maks. 90°	85 mm
Rezalna višina maks. 45°	65 mm
Brezstopenjska nastavitev višine	0 - 85 mm
Zajeralni rez	0 - 45°
Sesalni priključek	∅ 35 mm
Teža	20,0 kg

* Način delovanja S6 25 %: Nепrekinjeno obratovanje s prekinjeno obremenitvijo (čas delovanja 10 min). Da preprečite nedovoljeno pregrevanje motorja, ga lahko uporabljate 25 % časa delovanja z nazivno močjo, in nato mora 75 % časa delovanja delovati brez obremenitve.

Hrup

Hrupnost te žage je bila izmerjena v skladu z EN 61029.

Nivo zvočnega tlaka L _{PA}	91,0 dB(A)
Negotovost K _{PA}	3 dB
Nivo zvočne moči L _{WA}	104,0 dB(A)
Negotovost K _{PA}	3 dB

Nosite glušnike.

Zaradi vpliva hrupa lahko oglušite. Ugotovljene skupne vrednosti vibracij (vektorska vsota treh smeri) ustrezajo EN 61029.

7. Pred prvim zagonom

- Stroj mora biti varno stabilno postavljen, to pomeni na delovno mizo.
- Pred prvim zagonom morajo biti vsi pokrovi in varnostne priprave pravilno montirane.
- Žagin list se mora vrteti brez oviranja.
- Pri že obdelanem lesu je potrebno paziti na tujke, kot so n.pr. žebliji ali vijaki itd.
- Pred aktiviranjem stikala za vklop/izklop mora biti list žage pravilno montirani. Premični deli se morajo prosto premikati.
- Pred priključkom preverite, če se podatki na podatkovni tablici skladajo s podatki o električnem omrežju.
- Stroj priključite samo na pravilno nameščeno vtičnico z zaščitnim kontaktom, ki je opremljena z varovalko vsaj 16 A.

8. Montaža

Pozor! Pred vsakim vzdrževalnim, predelovalnim in montažnimi deli na krožni žagi je potrebno prvo potegniti električni vtičnik iz električne priključne vtičnice.

Položite vse dele na ravno površino. Enake dele razvrstite v skupine.

Opomba: Če so povezave pritrjene z vijakom (okrogla/ ali šestrobna glava), šestrobnimi maticami in podložkami, morajo podložke biti nameščeni pod matico.

Vse vijake vstavite vijake z zunanje strani, varno pritrditev zavarujte na notranji strani z maticami.

Hinweis: Ziehen Sie die Muttern und Schrauben während der Montage nur so weit an, dass diese nicht herabfallen können.

Wenn Sie die Muttern und Schrauben bereits vor der Endmontage an-/festziehen, kann die Endmontage nicht durchgeführt werden.

8.1 Montaža razširitve mize (sl. 5)

- Obrnite žago in mizo položite na tla obrnjeno navzdol.
- Razširitev mize (8) popolnoma poravnajte z mizo za žago (1).
- Stalo platinimo detalj (8) lengvai pritvirtinama prie pjūklo stalo (1) naudojant šešiakampius varžtus (19) ir spyruoklines poveržles (20a), poveržles (20b) ir šešiakampius veržles (20). Pakartokite procedūrą su priešingos pusės dalimi.
- Apsauginį skersinį (22) šešiakampiais varžtais (19), spyruoklinėmis poveržlėmis (20a) ir poveržlėmis (20b) prie stalo platinimo detalės (8).
- Nato privijte vse vijake.

8.2 Montaža ogrodja (Abb.6-7.1)

- Keturias atramines kojas (18) kartu su skersiniais (22) prie pjūklo stalo priveržkite šešiakampiais varžtais (19), spyruoklinėmis poveržlėmis (20a) ir poveržlėmis (20b), 8 pav. Naudokite komplekte esantį pjūklo geležtės rakt (21s). (6 pav.)
- Dabar ant stalo kojų (16) uždėkite gumines atramas (16a), (6.1 pav.).
- Sedaj dolgo srednjo prečko (18) in kratko srednjo prečko (17) privijte s šestrobnimi vijaki (19) in šestrobno matico (20) na noge (16). **Pazite, da so nasprotno položene vedno enake prečke. Dolge srednje prečke (18 - oznaka „B“), morajo biti nameščene vzporedno k upravljalni strani žage. (Sl. 7)**
- Per skyles galinése stovo kojose 2 šešiakampiais varžtais (19) spyruoklinėmis poveržlėmis (20a), poveržlėmis (20b) ir šešiakampėmis veržlėmis (20) pritvirtinkite stovo lanką (16b). (7.1 pav.)
Dėmesio!
Prie galinės mašinos dalies turi būti pritvirtinti abu stovo lankai!
- Nato privijte vse vijake in matice podstavka.

8.3 Nastavitev/montaža zagozde (sl. 8-10)

⚠ Pozor! Izvlecite napajalni vtičnik!

Nastavitev zagozde (6) je treba preveriti pred zagonom.

- Žagin list (3) nastavite na najv. globino reza, pomaknite v položaj 0° in ga pritrdite.
- Vijak (23) vložka mize (2) sprostite s križnim izvijačem in odstranite vložek mize (22). (Sl. 8)

- Razdalja med žaganim listom (3) in zagozdo (6) je lahko najv. 5 mm. (Sl. 9)
- Atleiskite tvirtinimo varžtus (24) ir ištraukite plyšio pleišta (6) tiek, kad būtų nustatytas teisingas atstumas (10 pav.).
- Znova privijte pritrdilni vijak (24) in namestite vložek mize (2).

8.4 Montaža/demontaža zaščite žaginega lista (sl. 11-12)

- Zaščito žaginega lista (6) skupaj z vijakom (25) z zgornje strani vstavite v zagozdo (6), tako da je vijak trdno nameščen v odprtini zagozde (6).
- Vijaka (25) ne pritegnite preveč; zaščita žaginega lista (6) se mora prosto premikati.
- Sesalno cev (5) nastavite na sesalni adapter (26) in sesalni nastavek zaščite žaginega lista (4). Priključite ustrezno napravo za sesanje žagovine na sesalni adapter (26).
- Demontaža poteka v obratnem vrstnem redu.

Pozor!

Pred začetkom žaganja morate zaščito žaginega lista (4) spustiti na obdelovanca.

8.5 Zamenjava vložka mize (sl. 8)

- V primeru obrabe ali poškodbe morate vložek mize (2) zamenjati, saj obstaja povečano tveganje za poškodbe.
- Odstranite vijak (23) s križnim izvijačem.
- Odstranite obrabljen vložek mize (2).
- Montaža novega vložka mize poteka v obratnem vrstnem redu.

8.6 Montaža/menjava žaginega lista (sl. 13)

- Pozor! Izvlecite napajalni vtičnik in nosite zaščitne rokavice.**
- Odstranite zaščito žaginega lista (4) (glej 8.4).
- Odstranite vložek mize (2) (glej 8.5).
- Popustite matico, tako da ključ žaginega lista (21a) nastavite na matico in jo z drugim ključem žaginega lista (21b) držite na nasprotni gredi motorja (glej Sl. 22).
- Pozor!** Zavrtite matico v smeri vrtenja žaginega lista.
- Odstranite zunanjo prirobnico in odstranite notranjo prirobnico starega žaginega lista.
- Prirobnico žaginega lista pred montažo novega žage temeljito očistite z žično krtačo.
- Vstavite nov žagin list v obratnem vrstnem redu in zategnite.
Pozor! Upoštevajte smer vrtenja, naklon reza zobnikov mora kazati v smeri delovanja, torej naprej.
- Znova namestite in nastavite vložek mize (2) in zaščito žaginega lista (4) (glej 8.4 in 8.5).
- Preden začnete znova delati z žago, morate preveriti funkcije zaščitnih elementov.

9. Upravljanje

9.1 Stikalo za vklop/izklop (slika 14)

- Žago lahko vklopite s pritiskom na zeleno tipko „I“(11). Pred pričetkom žaganja počakajte, da žagin list doseže maksimalno število obratov.
- Da bi žago ponovno izklopili, je potrebno pritisniti rdečo tipko „0“ (11).

9.2 Globina rezanja (slika.14)

Z vrtenjem naravnalne ročice (12) lahko žagin list (3) nastavite na željeno globino reza.

- V nasprotni smeri vrtenja urnega kazalca: majhna globina reza.
- V smeri vrtenja urnega kazalca: velika globina reza.

Preverite nastavitve z vzorčnim rezom.

9.3 Nastavitev kota (slika 14)

Z namizno krožno žago lahko izvajate poševne reze v levi med 0° - 45° na omejevalno tirnico.

⚠ Pred vsakim rezom preverite, da med omejevalno tirnico, šablono prečnega reza (13) in rezilom (5) ni možno trčenje.

- Odvijte ročaj za naravnjanje in fiksiranje (13)
- S pritiskanjem in vrtenjem ročnega kolesa (12) nastavite želeno kotno mero na lestvici.
- Ročaj (13) za naravnjanje in fiksiranje aretirajte v želenem kotnem položaju.

9.4 Delo z vzporednim prislonom

9.4.1 Nastavitev višine prislona (sl. 15-16)

- Prislon (27) vzporednega vodila (15) ima dve različni visoki vodilni površini.
- Glede na debelino materiala, ki ga žagate, morate uporabiti prislon (27), kot je prikazano na sl. 16 za debel material (nad 25 mm debeline obdelovanca), in kot je prikazano na sliki 15 za tanki material (manj kot 25 mm debeline obdelovanca).

9.4.2 Obračanje prislona (sl. 15-16)

- Za vrtenje prislona (27) najprej odvijte krilne matice (28).
- Sedaj lahko prislon (27) snamete z vodilne tirnice (29) in z ustreznim vodilom ponovno potisnete preko le-tega.
- Znova pritegnite krilne matice (28).
- Prislon (27) lahko po potrebi namestite levo ali desno od vodilne tirnice (29). V ta namen preprosto montirajte vijake z druge strani vodilne tirnice (29).

9.4.3 Nastavitev širine reza (sl. 17)

- Pri vzdolžnem razrezu lesa morate uporabiti vzporedno vodilo (15).
- Vzporedno vodilo (15) je treba montirati na desni strani žaginega lista (3).
- Vstavite vzporedno vodilo (15) z zgornje strani na vodilno tirnico vzporednega vodila (14).
- Na vodilni tirnici vzporednega prislona (14) sta 2 lestvici, ki prikazujeta razdaljo med vzporednim vodilom (15) in žaginim listom (3).
- V odvisnosti od tega, ali je prislon (27) obrnjen za obdelavo debelega ali tankega materiala, izberite ustrezno lestvico:
Visoki prislon (debeli material):
Nizek prislon (tanek material):
- Nastavite vzporedno vodilo (15) na želeno mero na kontrolnem okencu in ga pritrdite z ekscentričnim vzporednim vodilom (30).

9.5 Prečni prislon (sl. 18)

- Potisnite prečni prislon (13) v utor (31) mize za žago.
- Odvijte ročni vijak (32).
- Obračajte prečni prislon (7), dokler ne nastavite želenega kota. Puščica na prečnem prislonu kaže nastavljen kot.
- Ponovno pritegnite narebričeni vijak (32).
- Prislon (34) lahko nastavite na prečnem prislonu (13). Odvijte matice (33) in potisnite prislon (34) v želen položaj. Znova zategnite matice (34).

Pozor!

- Prislona (34) ne potisnite pregloboko v smeri žaginega lista.
- Razdalja med prislonom (34) in žaginim listom (3) mora biti približno 2 cm.

10. Obratovanje

Napotki za delo

Priporočamo, da po vsaki novi nastavitvi izvedete poizkusni rez, da bi preverili nastavljene mere. Po vklopu žage počakajte, da žagin list doseže maksimalno število obratov in šele potem poizkusite izvesti rez.

Dobge obdelovance na koncu postopka žaganja zavarujte (npr. pomično dodatno stojalo)

Pozor pri vrezovanju!

Napravo uporabljajte samo z odsesavanjem. Redno preverjajte in čistite kanale za odsesavanje.

Primernost listov žage:

- 24 zob: mehki materiali, mnogo žagovine, grobo rezanje
- 48 zob: trdi materiali, malo žagovine, fino rezanje

10.1 Izvajanje vzdolžnih rezov (slika 19)

Pri tem se obdelovanec prereže vzdolžno. En rob obdelovanca držite pritisnjen ob paralelni prislon (15) med tem, ko ravna stran nalega na žagino mizo (1). Zaščita žaginega lista (4) mora ves čas biti spuščena na obdelovanec. Delovni položaj ne sme nikoli biti v liniji z linijo poteka žaganja.

- Paralelni prislon (15) nastavite na tako, da bo ustrezal višini obdelovanca in želeni širini (glej 9.4).
- Vklopite žago
- Roke z zaprtimi prsti položite na obdelovanec in obdelovanec vzdolž paralelnega prislona (15) potisnite v žagin list (3).
- Stransko vodenje z levo ali desno roko (glede na položaji paralelnega prislona) le do sprednjega roba zaščitnega pokrova (4).
- Obdelovanec vedno porinite do konca rezne zagozde (6).
- Odpad žaganja ostane na žagini mizi (1), dokler žagin list (3) spet ne miruje.
- Dobge obdelovance na koncu postopka žaganja zavarujte! (n.pr. odvajalno stojalo itn.)

10.1.1 Rezanje ozkih obdelovancev (slika 20)

Vzdolžno rezanje ozkih obdelovancev, katerih širina je manjša od 120 mm, je nujno potrebno izvesti s pomočjo potisnega kosa (9). Potisni kos je zajet v obsegu dobave. Obrabljen oz. poškodovan potisni kos je potrebno takoj zamenjati.

- Nastavite stranski prislon v skladu s predvideno širino obdelovanca. (Glej 9.4)
- Obdelovanec potisnite naprej z obema rokama, v območju žaginega lista kot pomoč obvezno uporabite potisno palico (9).
- Obdelovanec vedno potisnite do konca cepilca.

⚠ Pozor! Pri kratkih obdelovancih morate že na začetku uporabiti potisno palico.

10.1.2 Izvajanje prečnih rezov (slika 21)

Prečni rezi se načeloma izvajajo z uporabo vzporednega prislona (15).

- Žagin list nastavite na želeno kotno mero (glej 9.3).
- Paralelni prislon (15) nastavite glede na širino in višino obdelovanca (glej 9.4)
- Rezanje izvajajte odgovarjajoče širini obdelovanca (glej 10.1).

10.2 Izvajanje prečnih rezov (slika 22)

- Prečni prislon (7) potisnite v oba utora (31a/b) žagine mize in ga nastavite na želeno kotno mero (glej 9.6). V primeru, da dodatno poševno postavite žagin list (3), je potrebno uporabiti utor (31a), ki ne dopušča, da bi Vaša roka in prečni prislon prišla v kontakt z zaščito žaginega lista.

- Eventualno uporabite prislonsko vodilo.
- Obdelovanec močno pritisnite ob prečni prislon (7).
- Vklonite žago.
- Da bi izvedli rez, je prečni prislon (7) in obdelovanec potrebno potiskati v smeri žaganega lista.
- **Pozor:**
Vedno držite trdno tisti del obdelovanca, ki ga vodite in ne tisti del, ki ga namenite odžagati.
- Prečni prislon (7) vedno potisnite tako daleč naprej, da bo obdelovanec popolnoma prerezan.
- Žago ponovno izklopite. Odpad od žaganja odstranite šele, ko se žagin list popolnoma ustavi.

10.3 Rezanje ivernih plošč

Da bi preprečili trganje rezanih robov pri rezanju ivernih plošč, mora biti list žage (3) nastavljen največ 5 mm nad debelino obdelovanca (glej tudi točko 9.2).

11. Transport

1. Električno orodje izklopite pred vsakim prevozom in ga izključite iz napajanja.
2. Električno orodje morata nositi najmanj dve osebi, ne nosite za podaljške mize
3. Zaščitite električno orodje pred udarci, sunki in močnimi vibracijami, npr. med prevozom v vozilih.
4. Napravo zavarujte pred zdrsom, zato jo varno privežite.
5. Zaščitne naprave nikoli ne uporabljajte za rokovanje ali transport.

12. Vzdrževanje

⚠ Opozorilo! Pred vsakim nastavljanjem, vzdrževanjem ali popravili izvlomite omrežni vtič!

12.1 Splošni vzdrževalni ukrepi

- Zaščitno opremo, zračne reže in ohišje motorja vzdržujte kar se le da v stanju brez prisotnosti prahu in umazanije. Napravo obrišite s suho krpo ali s komprimiranim zrakom pod nizkim pritiskom.
- Priporočamo, da napravo očistite neposredno po vsakem končanem delu.
- Redno čistite napravo z vlažno krpo in nekaj milnice. Ne uporabljajte nobenih čistilnih ali razredčilnih sredstev; le-ta lahko poškodujejo plastične dele naprave. Pazite na to, da ne pride voda v notranjost naprave.
- Za podaljšanje življenjske dobe orodja enkrat mesečno naoljite vrtljive dele. Ne mažite motorja.

12.2 Ogljikove ščetke

- V primeru prekomernega iskrenja dajte preveriti ogljene ščetke elektro strokovnjaku. Pozor! Ogljene ščetke sme zamenjati samo elektro strokovnjak.

13. Skladiščenje

Napravo in pribor za napravo skladiščite na temnem, suhem in pred mrazom zaščitenem in za otroke nedostopnem mestu. Optimalna skladiščna temperatura je med 5 in 30 °C. Električno orodje shranjujte v originalni embalaži.

Električno orodje pokrijte, da ga zaščitite pred prahom in vlago.

Nenaudojamas pjūklo geležtes ir jų raktą gali būti sudėti kaip parodyta 23 pav.

Ta navodila hranite pri električnem orodju.

14. Električni priključek

Nameščeni elektromotor je priključen, tako da je pripravljen za uporabo. Priključek ustreza zadevnim standardom VDE in DIN. Omrežni priključek in uporabljen podaljšek na strani kupca morata ustrezati predpisom.

- Izdelek izpolnjuje zahteve standarda EN 61000-3-11 in je predmet posebnih pogojev priključitve. To pomeni, da uporaba vseh prosto izbirnih priključnih točk ni dovoljena.
- Naprava lahko v neugodnih pogojih omrežja privede do prehodnih napetostnih nihanj.
- Izdelek je namenjen samo za uporabo v prostorih, ki imajo stalno obremenitev napetosti vsaj 100 A na fazo in morajo biti napajani iz razdelilnega sistema z nazivno napetostjo 230 V.
- Kot uporabnik morate zagotoviti, po potrebi po posvetu s podjetjem za preskrbo z električno energijo, da trajna obremenitev napetosti na priključni točki z javnim omrežjem zadostuje za napajanje izdelka.

Pomembni napotki

Pri preobremenitvi motorja se ta samodejno izklopi. Po določenem času hlajenja (različni časi) lahko motor znova vklopite.

Poškodovan električni priključni vodnik

Na električnih priključnih vodih pogosto nastanejo poškodbe izolacije.

Vzroki za to so lahko:

- Otiščanci, če priključne vode speljete skozi okna ali reže vrat.
- Pregibi zaradi nepravilne pritrditve ali vodenja priključnih vodov.
- Rezi zaradi vožnje preko priključnih vodov.
- Poškodbe izolacije zaradi iztrganja iz stenske vtičnice.
- Pretrgana mesta zaradi staranja izolacije.

Takih poškodovanih električnih priključnih vodnikov ne smete uporabljati, ker so zaradi poškodb izolacije smrtno nevarni.

Redno preverjajte, ali so električni priključni vodniki poškodovani. Pri tem pazite, da priključni vodnik pri preverjanju ne bo visel na električnem omrežju.

Električni priključni vodniki morajo ustrezati zadevnim določilom standardov VDE in DIN. Uporabljajte samo priključne vode z oznako H 07 RN.

Po predpisih mora biti opis tipa priključnega voda natisnjen na njem.

Motor na izmenični tok

- Omrežna napetost mora biti ~ 230 V.
- Podaljški do 25 m morajo imeti prečni prerez 1,5 kvadratnega milimetra.

Priključevanje in popravila električne opreme lahko izvajajo samo električarji.







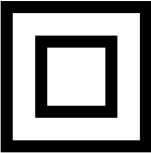
V primeru povpraševanja morate navesti spodnje podatke:

- Vrsta toka, ki napaja motor
- Podatki tipske ploščice stroja
- Podatki tipske ploščice motorja

15. Odpravljanje motenj

Motnja	Možen vzrok	Ukrep
1. Žagin list se sprosti po izklopu motorja	Premalo pritegnjena pritrdilna matica.	Pritegnite pritrdilno matico z desnim navojem.
2. Motor se ne zažene	a) Izpad varovalke	a) Preverite varovalko.
	b) Okvarjen podaljšek	b) Zamenjajte podaljšek.
	c) Neustrezni priključki na motorju ali stikalu	c) Mora preveriti električar
	d) Okvarjen motor ali stikalo	d) Mora preveriti električar
3. Napačna smer vrtenja motorja	a) Okvarjen kondenzator	a) Mora preveriti električar
	b) Napačna priključitev	b) Električar mora spremeniti polarnost v stenski vtičnici
4. Motor ne dosega zmogljivosti, sprožitev varovalke	a) Ne zadosten prerez podaljška	a) Glejte električno priključno shemo.
	b) Preobremenitev zaradi topega žaginega lista	b) Zamenjajte žagin list.
5. Ožganine na mestu reza	a) Topi žagin list	a) Nabrusite ali zamenjajte.
	b) Napačen žagin list	b) Zamenjajte žagin list.

Erklärung der Symbole auf dem Gerät

	<p>DE AT CH</p>	<p>Warnung! Bei Nichteinhaltung Lebensgefahr, Verletzungsgefahr oder Beschädigung des Werkzeugs möglich!</p>
	<p>DE AT CH</p>	<p>Vor Inbetriebnahme Bedienungsanleitung und Sicherheitshinweise lesen und beachten!</p>
	<p>DE AT CH</p>	<p>Schutzbrille tragen!</p>
	<p>DE AT CH</p>	<p>Gehörschutz tragen!</p>
	<p>DE AT CH</p>	<p>Bei Staubentwicklung Atemschutz tragen!</p>
	<p>DE AT CH</p>	<p>Achtung! Verletzungsgefahr! Nicht in das laufende Sägeblatt greifen!</p>
	<p>DE AT CH</p>	<p>Schutzklasse II</p>

1. Einleitung

HERSTELLER:

scheppach

Fabrikation von Holzbearbeitungsmaschinen GmbH
Günzburger Straße 69
D-89335 Ichenhausen

VEREHRTER KUNDE,

wir wünschen Ihnen viel Freude und Erfolg beim Arbeiten mit Ihrem neuen Gerät.

HINWEIS:

Der Hersteller dieses Gerätes haftet nach dem geltenden Produkthaftungsgesetz nicht für Schäden, die an diesem Gerät oder durch dieses Gerät entstehen bei:

- unsachgemäßer Behandlung,
- Nichtbeachtung der Bedienungsanweisung,
- Reparaturen durch Dritte, nicht autorisierte Fachkräfte,
- Einbau und Austausch von nicht originalen Ersatzteilen,
- nicht bestimmungsgemäßer Verwendung,
- Ausfällen der elektrischen Anlage bei Nichtbeachtung der elektrischen Vorschriften und VDE-Bestimmungen 0100, DIN 57113 / VDE0113.

Beachten Sie:

Lesen Sie vor der Montage und vor Inbetriebnahme den gesamten Text der Bedienungsanleitung durch. Diese Bedienungsanleitung soll es Ihnen erleichtern, Ihr Elektrowerkzeug kennenzulernen und dessen bestimmungsgemäßen Einsatzmöglichkeiten zu nutzen. Die Bedienungsanleitung enthält wichtige Hinweise, wie Sie mit dem Elektrowerkzeug sicher, fachgerecht und wirtschaftlich arbeiten, und wie Sie Gefahren vermeiden, Reparaturkosten sparen, Ausfallzeiten verringern und die Zuverlässigkeit und Lebensdauer des Elektrowerkzeugs erhöhen.

Zusätzlich zu den Sicherheitsbestimmungen dieser Bedienungsanleitung müssen Sie unbedingt die für den Betrieb des Elektrowerkzeugs geltenden Vorschriften Ihres Landes beachten.

Bewahren Sie die Bedienungsanleitung, in einer Plastikhülle geschützt vor Schmutz und Feuchtigkeit, bei dem Elektrowerkzeug auf. Sie muss von jeder Bedienungsperson vor Aufnahme der Arbeit gelesen und sorgfältig beachtet werden. An dem Elektrowerkzeug dürfen nur Personen arbeiten, die im Gebrauch des Elektrowerkzeugs unterwiesen und über die damit verbundenen Gefahren unterrichtet sind. Das geforderte Mindestalter ist einzuhalten.

Neben den in dieser Bedienungsanleitung enthaltenen Sicherheitshinweisen und den besonderen Vorschriften Ihres Landes sind die für den Betrieb von Holzbearbeitungsmaschinen allgemein anerkannten technischen Regeln zu beachten.

2. Gerätebeschreibung (Abb.1-4)

1. Sägetisch
2. Tischeinlage
3. Sägeblatt
4. Sägeblattschutz
5. Absaugschlauch
6. Spaltkeil
7. Queranschlag
8. Tischverbreiterung
9. Schiebestock
10. Untergestell
11. Ein-, Ausschalter
12. Handrad
13. Feststellgriff
14. Führungsschiene
15. Parallelanschlag
16. Standbeine
- 16a. GummifüÙe
- 16b. Standbügel
17. Mittelstrebe, lang
18. Mittelstreben, kurz
19. Sechskantschraube
20. Sechskantmutter
- 21a. Federring
- 21b. Scheibe
22. Stützstreben

3. Entpacken

- Öffnen Sie die Verpackung und nehmen Sie das Gerät vorsichtig heraus.
- Entfernen Sie das Verpackungsmaterial sowie Verpackungs- und Transportsicherungen (falls vorhanden).
- Überprüfen Sie, ob der Lieferumfang vollständig ist.
- Kontrollieren Sie das Gerät und die Zubehörteile auf Transportschäden.
- Bewahren Sie die Verpackung nach Möglichkeit bis zum Ablauf der Garantiezeit auf.

ACHTUNG

Gerät und Verpackungsmaterialien sind kein Kinderspielzeug! Kinder dürfen nicht mit Kunststoffbeuteln, Folien und Kleinteilen spielen! Es besteht Verschluckungs- und Erstickungsgefahr!

4. BestimmungsgemäÙe Verwendung

Die Tischkreissäge dient zum Längs- und Querschneiden (nur mit Queranschlag) von Hölzern aller Art, entsprechend der Maschinengröße. Rundhölzer aller Art dürfen nicht geschnitten werden. Die Maschine darf nur nach ihrer Bestimmung verwendet werden.

Jede weitere darüber hinausgehende Verwendung ist nicht bestimmungsgemäß. Für daraus hervorgehende Schäden oder Verletzungen aller Art haftet der Benutzer/Bediener und nicht der Hersteller.

Es dürfen nur für die Maschine geeignete Sägeblätter (HM- oder CV-Sägeblätter) verwendet werden.

Die Verwendung von HSS-Sägeblättern und Trennscheiben aller Art ist untersagt. Bestandteil der bestimmungsgemäÙen Verwendung ist auch die Beachtung der Sicherheitshinweise, sowie der Montageanleitung und Betriebshinweise in der Bedienungsanleitung. Personen, die die Maschine bedienen und warten, müssen mit dieser vertraut und über mögliche Gefahren unterrichtet sein. Darüber hinaus sind die geltenden Unfallverhütungsvorschriften genauestens einzuhalten.

Sonstige allgemeine Regeln in arbeitsmedizinischen und sicherheitstechnischen Bereichen sind zu beachten.

⚠ Achtung!

Beim Benutzen von Geräten müssen einige Sicherheitsvorkehrungen eingehalten werden, um Verletzungen und Schäden zu verhindern. Lesen Sie diese Bedienungsanleitung / Sicherheitshinweise deshalb sorgfältig durch. Bewahren Sie diese gut auf, damit Ihnen die Informationen jederzeit zur Verfügung stehen. Falls Sie das Gerät an andere Personen übergeben sollten, händigen Sie diese Bedienungsanleitung / Sicherheitshinweise bitte mit aus. Wir übernehmen keine Haftung für Unfälle oder Schäden, die durch Nichtbeachten dieser Anleitung und den Sicherheitshinweisen entstehen.

Veränderungen an der Maschine schließen eine Haftung des Herstellers und daraus entstehende Schäden gänzlich aus.

Trotz bestimmungsmäßiger Verwendung können bestimmte Restrisikofaktoren nicht vollständig ausgeräumt werden. Bedingt durch Konstruktion und Aufbau der Maschine können folgende Risiken auftreten:

- Berührung des Sägeblattes im nicht abgedeckten Sägebereich.
- Eingreifen in das laufende Sägeblatt (Schnittverletzung)
- Rückschlag von Werkstücken und Werkstückteilen.
- Sägeblattbrüche.
- Herausschleudern von fehlerhaften Hartmetallteilen des Sägeblattes.
- Gehörschäden bei Nichtverwendung des nötigen Gehörschutzes.
- Gesundheitsschädliche Emissionen von Holzstäuben bei Verwendung in geschlossenen Räumen.

⚠ Bitte beachten Sie, dass unsere Geräte bestimmungsgemäß nicht für den gewerblichen, handwerklichen oder industriellen Einsatz konstruiert wurden. Wir übernehmen keine Gewährleistung, wenn das Gerät in Gewerbe-, Handwerks- oder Industriebetrieben sowie bei gleichzusetzenden Tätigkeiten eingesetzt wird.

5. Wichtige Hinweise

⚠ Achtung! Beim Gebrauch von Elektrowerkzeugen sind zum Schutz gegen elektrischen Schlag, Verletzungs- und Brandgefahr folgende grundsätzliche Sicherheitsmaßnahmen zu beachten. Lesen Sie alle diese Hinweise, bevor Sie dieses Elektrowerkzeug benutzen, und bewahren Sie die Sicherheitshinweise gut auf.

Sicheres Arbeiten

1 Halten Sie Ihren Arbeitsbereich in Ordnung

- Unordnung im Arbeitsbereich kann Unfälle zur Folge haben.

2 Berücksichtigen Sie Umgebungseinflüsse

- Setzen Sie Elektrowerkzeuge nicht dem Regen aus.
- Benutzen Sie Elektrowerkzeuge nicht in feuchter oder nasser Umgebung.
- Sorgen Sie für gute Beleuchtung des Arbeitsbereichs.
- Benutzen Sie Elektrowerkzeuge nicht, wo Brand- oder Explosionsgefahr besteht.

3 Schützen Sie sich vor elektrischem Schlag

- Vermeiden Sie Körperberührung mit geerdeten Teilen (z. B. Rohren, Radiatoren, Elektroherden, Kühlgeräten).

4 Halten Sie Kinder fern!

- Lassen Sie andere Personen nicht das Werkzeug oder das Kabel berühren, halten Sie sie von Ihrem Arbeitsbereich fern.

5 Bewahren Sie unbenutzte Elektrowerkzeuge sicher auf

- Unbenutzte Elektrowerkzeuge sollten an einem trockenen, hochgelegenen oder abgeschlossenen Ort, außerhalb der Reichweite von Kindern, abgelegt werden.

6 Überlasten Sie Ihr Elektrowerkzeug nicht

- Sie arbeiten besser und sicherer im angegebenen Leistungsbereich.

7 Benutzen Sie das richtige Elektrowerkzeug

- Verwenden Sie keine leistungsschwachen Elektrowerkzeuge für schwere Arbeiten.
- Benutzen Sie das Elektrowerkzeug nicht für solche Zwecke, für die es nicht vorgesehen ist. Benutzen Sie zum Beispiel keine Handkreissäge zum Schneiden von Baumstäben oder Holzscheiten.
- Verwenden Sie das Elektrowerkzeug nicht zum Brennholzsägen.

8 Tragen Sie geeignete Kleidung

- Tragen Sie keine weite Kleidung oder Schmuck, sie könnten von beweglichen Teilen erfasst werden.
- Bei Arbeiten im Freien ist rutschfestes Schuhwerk empfehlenswert.
- Tragen Sie bei langen Haaren ein Haarnetz.

9 Benutzen Sie Schutzausrüstung

- Tragen Sie eine Schutzbrille.
- Verwenden Sie bei stauberzeugenden Arbeiten eine Atemmaske.

10 Schließen Sie die Staubabsaug-Einrichtung an

- Falls Anschlüsse zur Staubabsaugung und Auffangeinrichtung vorhanden sind, überzeugen Sie sich, dass diese angeschlossen und richtig benutzt werden.
- Der Betrieb in geschlossenen Räumen ist nur mit einer geeigneten Absauganlage zulässig.

11 Sichern Sie das Werkstück

- Benutzen Sie Spannvorrichtungen oder einen Schraubstock, um das Werkstück festzuhalten. Es ist damit sicherer gehalten als mit Ihrer Hand und ermöglicht die Bedienung der Maschine mit beiden Händen.
- Bei langen Werkstücken ist eine zusätzliche Auflage (Tisch, Böcke, etc.) erforderlich, um ein Kippen der Maschine zu vermeiden.
- Drücken Sie das Werkstück immer fest gegen Arbeitsplatte und Anschlag, um ein Wackeln bzw. Verdrehen des Werkstückes zu verhindern.

12 Vermeiden Sie abnormale Körperhaltung

- Sorgen Sie für sicheren Stand und halten Sie jederzeit das Gleichgewicht.
- Vermeiden Sie ungeschickte Handpositionen, bei denen durch ein plötzliches Abrutschen eine oder beide Hände das Sägeblatt berühren könnten.

13 Pflegen Sie Ihre Werkzeuge mit Sorgfalt

- Halten Sie die Schneidwerkzeuge scharf und sauber, um besser und sicherer arbeiten zu können.
- Befolgen Sie die Hinweise zur Schmierung und zum Werkzeugwechsel.
- Kontrollieren Sie regelmäßig die Anschlussleitung des Elektrowerkzeugs und lassen Sie diese bei Beschädigung von einem anerkannten Fachmann erneuern.
- Kontrollieren Sie Verlängerungsleitungen regelmäßig und ersetzen Sie diese, wenn sie beschädigt sind.
- Halten Sie Handgriffe trocken, sauber und frei von Öl und Fett.

14 Ziehen Sie den Stecker aus der Steckdose

- Entfernen Sie nie lose Splitter, Späne oder eingeklemmte Holzteile bei laufendem Sägeblatt.

- Bei Nichtgebrauch des Elektrowerkzeugs, vor der Wartung und beim Wechsel von Werkzeugen wie z. B. Sägeblatt, Bohrer, Fräser.

15 Lassen Sie keine Werkzeugschlüssel stecken

- Überprüfen Sie vor dem Einschalten, dass Schlüssel und Einstellwerkzeuge entfernt sind.

16 Vermeiden Sie unbeabsichtigten Anlauf

- Vergewissern Sie sich, dass der Schalter beim Einstecken des Steckers in die Steckdose ausgeschaltet ist.

17 Benutzen Sie Verlängerungskabel für den Außenbereich

- Verwenden Sie im Freien nur dafür zugelassene und entsprechend gekennzeichnete Verlängerungskabel.
- Verwenden Sie die Kabeltrommel nur im abgerollten Zustand.

18 Seien Sie stets aufmerksam

- ⚠ Achten Sie darauf, was Sie tun. Gehen Sie mit Vernunft an die Arbeit. Benutzen Sie das Elektrowerkzeug nicht, wenn Sie unkonzentriert sind.

19 Überprüfen Sie das Elektrowerkzeug auf eventuelle Beschädigungen

- Vor weiterem Gebrauch des Elektrowerkzeugs müssen Schutzvorrichtungen oder leicht beschädigte Teile sorgfältig auf ihre einwandfreie und bestimmungsgemäße Funktion untersucht werden.
- Überprüfen Sie, ob die beweglichen Teile einwandfrei funktionieren und nicht klemmen oder ob Teile beschädigt sind. Sämtliche Teile müssen richtig montiert sein und alle Bedingungen erfüllen, um den einwandfreien Betrieb des Elektrowerkzeugs zu gewährleisten.
- Die bewegliche Schutzhaube darf in geöffnetem Zustand nicht festgeklemmt werden.
- Beschädigte Schutzvorrichtungen und Teile müssen bestimmungsgemäß durch eine anerkannte Fachwerkstatt repariert oder ausgewechselt werden, soweit nichts anderes in der Bedienungsanleitung angegeben ist.
- Beschädigte Schalter müssen bei einer Kundendienstwerkstatt ersetzt werden.
- Benutzen Sie keine fehlerhaften oder beschädigten Anschlussleitungen.
- Benutzen Sie keine Elektrowerkzeuge, bei denen sich der Schalter nicht ein- und ausschalten lässt.

20 ACHTUNG!

- Bei Doppelgehrungsschnitten ist besondere Vorsicht geboten.

21 ACHTUNG!

- Der Gebrauch anderer Einsatzwerkzeuge und anderen Zubehörs kann eine Verletzungsgefahr für Sie bedeuten.

22 Lassen Sie Ihr Elektrowerkzeug durch eine Elektrofachkraft reparieren

- Dieses Elektrowerkzeug entspricht den einschlägigen Sicherheitsbestimmungen. Reparaturen dürfen nur von einer Elektrofachkraft ausgeführt werden, indem Originalersatzteile verwendet werden; anderenfalls können Unfälle für den Benutzer entstehen.

23 Verwenden Sie das Kabel nicht für Zwecke, für die es nicht bestimmt ist.

- Benutzen Sie das Kabel nicht, um den Stecker aus der Steckdose zu ziehen. Schützen Sie das Kabel vor Hitze, Öl und scharfen Kanten.

ZUSÄTZLICHE SICHERHEITSHINWEISE

1 Sicherheitsvorkehrungen

- ⚠ **Warnung!** Beschädigte, rissige oder deformierte Sägeblätter nicht verwenden.
- Tauschen Sie einen abgenutzten Tischeinsatz aus.
- Verwenden Sie nur vom Hersteller empfohlene Sägeblätter, die EN 847-1 entsprechen.
- ⚠ **Warnung!** Achten Sie beim Wechseln des Sägeblattes darauf, dass die Schnittbreite nicht kleiner und die Stammblattdicke des Sägeblattes nicht größer ist als die Dicke des Spaltkeiles!
- Achten Sie darauf, dass ein für den zu schneidenden Werkstoff geeignetes Sägeblatt ausgewählt wird.
- Tragen Sie eine geeignete persönliche Schutzausrüstung.
Dies schließt ein:

Gehörschutz zur Verminderung des Risikos schwerhörig zu werden,
Atemschutz zur Verminderung des Risikos gefährlichen Staub einzuatmen.

- Tragen Sie beim Hantieren mit Sägeblättern und rauen Werkstoffen Handschuhe.
- Tragen Sie Sägeblätter, wann immer praktikabel, in einem Behältnis.
- Tragen Sie eine Schutzbrille. Während der Arbeit entstehende Funken oder aus dem Gerät heraustretende Splitter, Späne und Stäube können Sichtverlust bewirken.
- Schließen Sie das Elektrowerkzeug beim Sägen von Holz an eine Staubauffangeinrichtung an. Die Staubbefreiung wird unter anderem durch die Art des zu bearbeitenden Werkstoffs, die Bedeutung lokaler Abscheidung (Erfassung oder Quelle) und die richtige Einstellung von Hauben/Leitblechen/Führungen beeinflusst.
- Verwenden Sie keine Sägeblätter aus hochlegiertem Schnellarbeitsstahl (HSS-Stahl).
- Bewahren Sie den Schiebstock oder das Schiebeholz bei Nichtbenutzung immer an dem Elektrowerkzeug in seinem Halter auf.

2 Wartung und Instandhaltung

- Ziehen Sie bei jeglichen Einstell- und Wartungsarbeiten den Netzstecker.
- Die Lärmverursachung wird von verschiedenen Faktoren beeinflusst, unter anderem von der Beschaffenheit der Sägeblätter, Zustand von Sägeblatt und Elektrowerkzeug. Verwenden Sie nach Möglichkeit Sägeblätter, die zur Verringerung der Geräuschentwicklung konstruiert wurden, warten Sie das Elektrowerkzeug und Werkzeugaufsätze regelmäßig und setzen Sie diese gegebenenfalls instand, um Lärm zu reduzieren.
- Melden Sie Fehler an dem Elektrowerkzeug, Schutzeinrichtungen oder dem Werkzeugaufsatz sobald diese entdeckt wurden, der für die Sicherheit verantwortlichen Person.

3 Sicheres Arbeiten

- Verwenden Sie den Schiebstock oder den Handgriff mit Schiebeholz, um das Werkstück sicher am Sägeblatt vorbeizuführen.
- Stellen Sie sicher, dass immer der Spaltkeil verwendet wird und dieser richtig eingestellt ist.
- Obere Sägeblattschutzvorrichtung verwenden und richtig einstellen.
- Verwenden Sie nur Sägeblätter, deren höchstzulässige Drehzahl nicht geringer ist als die maximale Spindeldrehzahl des Einsatzwerkzeuges und die für den zu schneidenden Werkstoff geeignet sind.

- Falzen oder Nuten nicht durchführen, ohne dass eine geeignete Schutzvorrichtung, wie z. B. eine Tunnelschutzvorrichtung, über dem Säge Tisch angebracht ist.
- Kreissägen dürfen nicht zum Schlitzen (im Werkstück beendete Nut) verwendet werden.
- Verwenden Sie beim Transportieren des Elektrowerkzeuges nur die Transportvorrichtungen. Verwenden Sie niemals die Schutzvorrichtungen für Handhabung oder Transport.
- Achten Sie darauf, dass während des Transportes der obere Teil des Sägeblattes abgedeckt ist, beispielsweise durch die Schutzvorrichtung.
- Darauf achten, nur solche Distanzscheiben und Spindelringe zu verwenden, die für den vom Hersteller angegebenen Zweck geeignet sind.
- Der Fußboden im Umkreis der Maschine muss eben, sauber und frei von losen Partikeln, wie z. B. Spänen und Schnittresten, sein.
- Arbeitsstellung stets seitlich vom Sägeblatt.
- Keine Schnittreste oder sonstige Werkstücke aus dem Schnittbereich entfernen, so lange die Maschine läuft und das Sägeaggregat sich noch nicht in der Ruhestellung befindet.
- Darauf achten, dass die Maschine, wenn irgend möglich, immer an einer Werkbank oder einem Tisch befestigt ist.
- Lange Werkstücke gegen Abkippen am Ende des Schneidvorgangs sichern (z. B. Abrollständer oder Rollbock).
- **⚠ Achtung!** Entfernen Sie nie lose Splitter, Späne oder eingeklemmte Holzteile bei laufendem Sägeblatt.
 - Zum Beheben von Störungen oder zum Entfernen eingeklemmter Holzstücke die Maschine ausschalten. - **Netzstecker ziehen** -
 - Umrüstungen, sowie Einstell-, Mess-, und Reinigungsarbeiten nur bei abgeschaltetem Motor durchführen. - **Netzstecker ziehen** -
 - Überprüfen Sie vor dem Einschalten, dass die Schlüssel und Einstellwerkzeuge entfernt sind.

Warnung! Dieses Elektrowerkzeug erzeugt während des Betriebs ein elektromagnetisches Feld. Dieses Feld kann unter bestimmten Umständen aktive oder passive medizinische Implantate beeinträchtigen. Um die Gefahr von ernsthaften oder tödlichen Verletzungen zu verringern, empfehlen wir Personen mit medizinischen Implantaten ihren Arzt und den Hersteller vom medizinischen Implantat zu konsultieren, bevor das Elektrowerkzeug bedient wird.

SICHERHEITSHINWEISE FÜR DEN UMGANG MIT SÄGEBLÄTTERN

- 1 Setzen Sie nur Einsatzwerkzeuge ein, wenn Sie den Umgang damit beherrschen.
- 2 Beachten Sie die Höchstdrehzahl. Die auf dem Einsatzwerkzeug angegebene Höchstdrehzahl darf nicht überschritten werden. Halten Sie, falls angegeben, den Drehzahlbereich ein.
- 3 Beachten Sie die Motor- Sägeblatt- Drehrichtung.
- 4 Verwenden Sie keine Einsatzwerkzeuge mit Rissen. Mustern Sie gerissene Einsatzwerkzeuge aus. Eine Instandsetzung ist nicht zulässig.
- 5 Reinigen Sie die Spannflächen von Verschmutzungen, Fett, Öl und Wasser.
- 6 Verwenden Sie keine losen Reduzierringe oder -buchsen zum Reduzieren von Bohrungen bei Kreissägeblättern.
- 7 Achten Sie darauf, dass fixierte Reduzierringe zum Sichern des Einsatzwerkzeuges den gleichen Durchmesser und mindestens 1/3 des Schnittdurchmessers haben.

- 8 Stellen Sie sicher, dass fixierte Reduzierringe parallel zueinander sind.
- 9 Handhaben Sie Einsatzwerkzeuge mit Vorsicht. Bewahren Sie diese am besten in der Originalverpackung oder speziellen Behältnissen auf. Tragen Sie Schutzhandschuhe, um die Griffsicherheit zu verbessern und das Verletzungsrisiko weiter zu mindern.
- 10 Stellen Sie vor der Benutzung von Einsatzwerkzeugen sicher, dass alle Schutzvorrichtungen ordnungsgemäß befestigt sind.
- 11 Vergewissern Sie sich vor dem Einsatz, dass das von Ihnen benutzte Einsatzwerkzeug den technischen Anforderungen dieses Elektrowerkzeuges entspricht und ordnungsgemäß befestigt ist.
- 12 Benutzen Sie das mitgelieferte Sägeblatt nur für Sägearbeiten in Holz, niemals zum Bearbeiten von Metallen.

Restrisiken

Das Elektrowerkzeug ist nach dem Stand der Technik und den anerkannten sicherheitstechnischen Regeln gebaut. Dennoch können beim Arbeiten einzelne Restrisiken auftreten.

- Gefährdung der Gesundheit durch Strom bei Verwendung nicht ordnungsgemäßer Elektro-Anschlussleitungen.
 - Desweiteren können trotz aller getroffener Vorkehrungen nicht offensichtliche Restrisiken bestehen.
 - Restrisiken können minimiert werden, wenn die „Sicherheitshinweise“ und die „Bestimmungsgemäße Verwendung“, sowie die Bedienungsanweisung insgesamt beachtet werden.
 - Belasten Sie die Maschine nicht unnötig: zu starker Druck beim Sägen beschädigt das Sägeblatt schnell. Dies kann zu einer Leistungsverminderung der Maschine bei der Verarbeitung und einer Verminderung der Schnittgenauigkeit führen.
 - Vermeiden Sie zufällige Inbetriebsetzungen der Maschine: beim Einführen des Steckers in die Steckdose darf die Betriebstaste nicht gedrückt werden.
 - Verwenden Sie das Werkzeug, das in diesem Handbuch empfohlen wird. So erreichen Sie, dass Ihre Säge optimale Leistungen erbringt.
 - Halten Sie Ihre Hände vom Arbeitsbereich fern, wenn die Maschine in Betrieb ist.
- Bevor Sie Einstell- oder Wartungsarbeiten vornehmen, schalten Sie das Gerät ab und ziehen den Netzstecker.

6. Technische Daten

Wechselstrommotor	220-240 V~ 50Hz
Leistung	2000 Watt
Betriebsart	S6 25%*
Leerlaufdrehzahl	5000 min ⁻¹
Hartmetallsägeblatt	ø 250 x ø 30 x 2,8 mm
Anzahl der Zähne	24
Dicke Spaltkeil	2 mm
Tischgröße	940 x 642 mm
Schnitthöhe max. 90°	85 mm
Schnitthöhe max. 45°	65 mm
Höhenverstellung	0 - 85 mm
Sägeblatt schwenkbar	0 - 45°
Absauganschluß	ø 35 mm
Gewicht ca.	20,0 kg

* Betriebsart S6 25%: Durchlaufbetrieb mit Aussetzbelastung (Spieldauer 10 min). Um den Motor nicht unzulässig zu erwärmen darf der Motor 25% der Spieldauer mit der angegebenen Nennleistung betrieben werden und muss anschließend 75% der Spieldauer ohne Last weiterlaufen.

Geräuschwerte

Die Geräuschwerte wurden entsprechend EN 61029 ermittelt.

Schalldruckpegel L _{PA}	91,0 dB(A)
Unsicherheit K _{PA}	3 dB
Schalleistungspegel L _{WA}	104,0 dB(A)
Unsicherheit K _{WA}	3 dB

Tragen Sie einen Gehörschutz.

Die Einwirkung von Lärm kann Gehörverlust bewirken. Schwingungsgesamtwerte (Vektorsumme dreier Richtungen) ermittelt entsprechend EN 61029.

7. Vor Inbetriebnahme

- Die Maschine muss standsicher aufgestellt werden, d.h. auf einer Werkbank, dem Untergestell o. ä. festschrauben.
- Vor Inbetriebnahme müssen alle Abdeckungen und Sicherheitsvorrichtungen ordnungsgemäß montiert sein.
- Das Sägeblatt muss frei laufen können.
- Bei bereits bearbeitetem Holz auf Fremdkörper, wie z.B. Nägel oder Schrauben, usw. achten.
- Bevor Sie den Ein-/Ausschalter betätigen, vergewissern Sie sich, ob das Sägeblatt richtig montiert ist und bewegliche Teile leichtgängig sind.
- Überzeugen Sie sich vor dem Anschließen der Maschine, dass die Daten auf dem Typenschild mit den Netzdaten übereinstimmen.
- Schließen Sie die Maschine nur an eine ordnungsgemäß installierte Schutzkontakt-Steckdose an, die mit mindestens 16A abgesichert ist.

8. Aufbau und Bedienung

Achtung! Vor allen Wartungs- Umrüst- und Montagearbeiten an der Kreissäge ist der Netzstecker zu ziehen.

Legen Sie alle mitgelieferten Teile auf eine flache Oberfläche. Gruppieren Sie gleiche Teile.

Hinweis: Wenn Verbindungen mit einer Schraube (Rundkopf/oder Sechskant), Sechskantmutter und Unterlegscheibe gesichert werden, muss die Unterlegscheibe unter der Mutter angebracht werden.

Stecken Sie Schrauben jeweils von außen nach innen ein, sichern Sie Verbindungen mit Muttern von innen.

Hinweis: Ziehen Sie die Muttern und Schrauben während der Montage nur so weit an, dass diese nicht herabfallen können.

Wenn Sie die Muttern und Schrauben bereits vor der Endmontage an-/festziehen, kann die Endmontage nicht durchgeführt werden.

8.1 Tischverbreiterung montieren (Abb. 5)

1. Die Säge umdrehen und mit dem Tisch nach unten auf den Boden stellen.
2. Tischverbreiterung (8) eben mit dem Sägertisch (1) ausrichten.
3. Tischverbreiterung (8) am Sägertisch (1) mittels der Sechskantschrauben (19) und Federscheiben (20a), Scheiben (20b) und Sechskantmutter (20) locker befestigen. Wiederholen Sie den Vorgang auf der gegenüberliegenden Seite.
4. Schrauben Sie die Stützstreben (22) mit den Sechskantschrauben (19), Federring (20a), Scheiben (20b) an die Tischverbreiterungen (8).
5. Anschließend sämtliche Schrauben festziehen.

8.2 Montage Gestell (Abb.6-7.1)

1. Die vier Standbeine (18) zusammen mit den Stützstreben (22) und mit den Sechskantschrauben (19), den Federscheiben (20a) und den Scheiben (20b) an der Säge anschrauben (Abb. 6). Verwenden Sie hierfür den mitgelieferten Sägeblattschlüssel (21a). (Abb.6).
2. Nun die Gummifüße (16a) auf die Standbeine (16) aufstecken (Abb. 6.1).
3. Jetzt die lange Mittelstrebe (18) und die kurze Mittelstrebe (17) mit den Sechskantschrauben (19) und den Sechskantmutter (20) an den Standbeinen (16) verschrauben. **Achten Sie darauf, dass jeweils die gleichen Streben sich gegenüberliegen. Die langen Mittelstreben (18 - mit „B“ gekennzeichnet) müssen parallel zur Bedienerseite der Säge angebracht werden.** (Abb. 7).
4. An den Bohrungen in den hinteren Standbeinen die Standbügel (16b) mit jeweils 2 Sechskantschrauben (19), Federscheiben (20a), Scheiben (20b) und Sechskantmutter (20) locker befestigen. (Abb.7.1)
Achtung!
Beide Standbügel müssen an der Rückseite der Maschine befestigt werden!
5. Anschließend sämtliche Schrauben und Muttern des Untergestells festschrauben.

8.3 Spaltkeil einstellen / montieren (Abb. 8-10)

⚠ Achtung! Netzstecker ziehen!
Die Einstellung des Spaltkeils (6) muss vor der Inbetriebnahme überprüft werden.

1. Sägeblatt (3) auf max. Schnitttiefe einstellen, in die 0° Stellung bringen und arretieren.
2. Schraube (23) der Tischeinlage (2) mithilfe eines Kreuzschraubendrehers lösen und Tischeinlage herausnehmen (Abb.8).
3. Der Abstand zwischen Sägeblatt (3) und Spaltkeil (6) soll max. 5 mm betragen. (Abb. 9)
4. Die Befestigungsschraube (24) lockern und den Spaltkeil (6) herausziehen bis auf der richtige Abstand eingestellt ist (Abb.10)

- Die Befestigungsschraube (24) wieder festziehen und Tischeinlage (2) montieren.

8.4 Sägeblattschutz montieren / demontieren (Abb. 11-12)

- Sägeblattschutz (6) samt Schraube (25) von oben auf den Spaltkeil (6) aufsetzen, so dass die Schraube fest im Langloch des Spaltkeils (6) sitzt.
 - Schraube (25) nicht zu fest anziehen; der Sägeblattschutz (6) muss frei beweglich bleiben.
 - Absaugschlauch (5) auf den Absaugadapter (26) und den Absaugstutzen des Sägeblattschutzes (4) stecken. Eine geeignete Späneabsauganlage am Absaugadapter (26) anschließen.
 - Die Demontage erfolgt in umgekehrter Reihenfolge.
- Achtung!**
Vor Sägebeginn muss der Sägeblattschutz (4) auf das Sägegut abgesenkt werden.

8.5 Tischeinlage austauschen (Abb. 8)

- Bei Verschleiß oder Beschädigung ist die Tischeinlage (2) zu tauschen, ansonsten besteht erhöhte Verletzungsgefahr.
- Die Schraube (23) mithilfe eines Kreuzschraubendrehers entfernen.
- Die verschlissene Tischeinlage (2) herausnehmen.
- Die Montage der neuen Tischeinlage erfolgt in umgekehrter Reihenfolge.

8.6 Montage/Wechsel des Sägeblattes (Abb. 13)

- Achtung! Netzstecker ziehen und Schutzhandschuhe tragen.**
 - Sägeblattschutz (4) demontieren (siehe 8.4)
 - Die Tischeinlage (2) entfernen (siehe 8.5)
 - Mutter lösen, indem man einen Sägeblattschlüssel (21a) an der Mutter ansetzt und mit einem weiteren Sägeblattschlüssel (21b) an der Motorwelle gegenhält (siehe Abb. 22).
 - Achtung!** Mutter in Rotationsrichtung des Sägeblattes drehen.
 - Äußeren Flansch abnehmen und altes Sägeblatt inneren Flansch abziehen.
 - Sägeblattflansche vor der Montage des neuen Sägeblattes sorgfältig mit einer Drahtbürste reinigen.
 - Das neue Sägeblatt in umgekehrter Reihenfolge wieder einsetzen und festziehen.
- Achtung! Laufrichtung beachten, die Schnittrichtung der Zähne muss in Laufrichtung, d.h. nach vorne zeigen.**
- Tischeinlage (2) sowie Sägeblattschutz (4) wieder montieren und einstellen (siehe 8.4 und 8.5)
 - Bevor Sie mit der Säge wieder arbeiten, ist die Funktionsfähigkeit der Schutzeinrichtungen zu prüfen.

9. Bedienung

9.1 Ein-, Ausschalten (Abb.14)

- Durch Drücken des grünen Tasters „I“ (11) kann die Säge eingeschaltet werden. Vor Beginn des Sägens abwarten, bis das Sägeblatt seine maximale Drehzahl erreicht hat.
- Um die Säge wieder auszuschalten, muss der rote Taster „0“ (11) gedrückt werden.

9.2 Einstellen der Schnitttiefe (Abb.14)

Durch Drehen des Handrades für Höhenverstellung (12), kann das Sägeblatt (3) auf die gewünschte Schnitttiefe (stufenlos) eingestellt werden.

- Entgegen dem Uhrzeigersinn: kleinere Schnitttiefe
- Im Uhrzeigersinn: größere Schnitttiefe

Überprüfen Sie die Einstellung anhand eines Probestchnittes.

9.3 Winkeleinstellung (Abb.14)

Mit der Tischkreissäge können Schrägschnitte nach links von 0°-45° zur Anschlagsschiene ausgeführt werden.

△ Prüfen Sie vor jedem Schnitt, dass zwischen der Anschlagsschiene (e), Querschneidlehre (13) und dem Sägeblatt (5) keine Kollision möglich ist.

- Feststellgriff (13) lösen
- Durch Eindrücken und Drehen des Handrades (12) das gewünschte Winkelmaß an der Skala einstellen.
- Feststellgriff (13) in gewünschter Winkelstellung arretieren.

9.4 Arbeiten mit dem Parallelanschlag

9.4.1 Einstellen der Anschlaghöhe (Abb. 15-16)

- Die Anschlagsschiene (27) des Parallelanschlages (15) besitzt zwei verschiedenen hohe Führungsflächen.
- Je nach Dicke der zu schneidenden Materialien muss die Anschlagsschiene (27) nach Abb. 16, für dickes Material (über 25 mm Werkstückdicke) und nach Abb. 15 für dünnes Material (unter 25 mm Werkstückdicke) verwendet werden.

9.4.2 Anschlagsschiene drehen (Abb. 15-16)

- Lockern Sie zum Drehen der Anschlagsschiene (27) zuerst die Flügelmuttern (28).
- Nun kann die Anschlagsschiene (27) von der Führungsschiene (29) abgezogen und mit der entsprechenden Führung wieder über diese geschoben werden.
- Ziehen Sie die Flügelmuttern (28) wieder an.
- Die Anschlagsschiene (27) kann je nach Bedarf links oder rechts von der Führungsschiene (29) angebracht werden. Montieren Sie hierzu nur die Schrauben von der anderen Seite der Führungsschiene (29)

9.4.3 Einstellen der Schnittbreite (Abb. 17)

- Beim Längsschneiden von Holzteilen muss der Parallelanschlag (15) verwendet werden.
- Der Parallelanschlag (15) sollte auf der rechten Seite des Sägeblattes (3) montiert werden.
- Den Parallelanschlag (15) von oben auf die Führungsschiene für Parallelanschlag (14) setzen.
- Auf der Führungsschiene für Parallelanschlag (14) befinden sich 2 Skalen, welche den Abstand zwischen Parallelanschlag (15) und Sägeblatt (3) anzeigen.
- Wählen Sie abhängig davon, ob die Anschlagsschiene (27) für die Bearbeitung von dickem oder dünnem Material gedreht ist, die passende Skala:
Hohe Anschlagsschiene (dickes Material):
Niedrige Anschlagsschiene (dünn Material):
- Parallelanschlag (15) auf das gewünschte Maß am Schauglas einstellen und mit dem Exzenterhebel für Parallelanschlag (30) fixieren.

9.5 Queranschlag (Abb. 18)

- Queranschlag (13) in eine Nut (31) des Sägeblattes schieben.
- Griffschraube (32) lockern.
- Queranschlag (7) drehen, bis das gewünschte Winkelmaß eingestellt ist. Der Pfeil am Queranschlag zeigt den eingestellten Winkel.
- Rändelschraube (32) wieder festziehen.
- Die Anschlagsschiene (34) kann am Queranschlag (13) verschoben werden. Lösen Sie hierzu die Muttern (33) und schieben die Anschlagsschiene (34) in die gewünschte Position. Ziehen Sie die Muttern (34) wieder an

Achtung!

- Anschlagschiene (34) nicht zu weit in Richtung Sägeblatt schieben.
- Der Abstand zwischen Anschlagschiene (34) und Sägeblatt (3) sollte ca. 2 cm betragen.

10. Betrieb

Arbeitshinweise

Nach jeder neuen Einstellung empfehlen wir einen Prob schnitt, um die eingestellten Maße zu überprüfen. Nach dem Einschalten der Säge abwarten, bis das Sägeblatt seine max. Drehzahl erreicht hat, bevor Sie den Schnitt durchführen.

Lange Werkstücke gegen Abkippen am Ende des Schneidvorganges sichern (z.B. Abrollständer etc.)
Achtung beim Einschneiden.

Betreiben Sie das Gerät nur mit Absaugung. Überprüfen und reinigen Sie regelmäßig die Absaugkanäle.

Eignung der Sägeblätter:

- 24 Zähne: weiche Materialien, hohe Spanabnahme, grobes Schnittbild
- 48 Zähne: harte Materialien, geringere Spanabnahme, feineres Schnittbild

10.1 Ausführen von Längsschnitten (Abb. 19)

Hierbei wird ein Werkstück in seiner Längsrichtung durchschnitten.

Eine Kante des Werkstücks wird gegen den Parallelanschlag (15) gedrückt, während die flache Seite auf dem Säge tisch (1) aufliegt.

Der Sägeblattschutz (4) muss immer auf das Werkstück abgesenkt werden.

Die Arbeitsstellung beim Längsschnitt darf nie in einer Linie mit dem Schnittverlauf sein.

- Parallelanschlag (15) entsprechend der Werkstückhöhe und der gewünschten Breite einstellen. (siehe 9.4)
- Säge einschalten
- Hände mit geschlossenen Fingern flach auf das Werkstück legen und Werkstück am Parallelanschlag (15) entlang in das Sägeblatt (3) schieben.
- Seitliche Führung mit der linken oder rechten Hand (je nach Position des Parallelanschlages) nur bis zur Vorderkante des Sägeblattschutzes (4).
- Werkstück immer bis zum Ende des Spaltkeils (6) durchschieben.
- Der Schnittabfall bleibt auf dem Säge tisch (1) liegen, bis sich das Sägeblatt (3) wieder in Ruhestellung befindet.
- Lange Werkstücke gegen Abkippen am Ende des Schneidvorganges sichern! (z.B. Abrollständer etc.)

10.1.1 Schneiden schmaler Werkstücke (Abb. 20)

Längsschnitte von Werkstücken mit einer Breite von weniger als 120 mm müssen unbedingt unter Zuhilfenahme eines Schiebstockes (9) durchgeführt werden. Schiebstock ist im Lieferumfang enthalten. Verschleissenen bzw. beschädigten Schiebstock umgehend austauschen.

- Den Parallelanschlag entsprechend der vorgesehenen Werkstückbreite einstellen. (siehe 9.4)
- Werkstück mit beiden Händen vorschieben, im Bereich des Sägeblattes unbedingt einen Schiebstock (9) als Schubhilfe verwenden.
- Werkstück immer bis zum Ende des Spaltkeils durchschieben.

⚠ Achtung! Bei kurzen Werkstücken ist der Schiebstock schon bei Schnittbeginn zu verwenden.

10.1.2 Ausführen von Schrägschnitten (Abb. 21)

Schrägschnitte werden grundsätzlich unter der Verwendung des Parallelanschlages (15) durchgeführt.

- Sägeblatt auf das gewünschte Winkelmaß einstellen. (siehe 9.3)
- Parallelanschlag (15) je nach Werkstückbreite und -höhe einstellen (siehe 9.4)
- Schnitt entsprechend der Werkstückbreite durchführen (siehe 10.1)

10.2 Ausführung von Querschnitten (Abb. 22)

Queranschlag (7) in eine der beiden Nuten (31a/b) des Säge tisches schieben und auf das gewünschte Winkelmaß einstellen (siehe 9.5). Sollte das Sägeblatt (3) zusätzlich schräg gestellt werden, dann ist die Nut (31a) zu verwenden, welche Ihre Hand und den Queranschlag nicht mit dem Sägeblattschutz in Kontakt kommen lässt.

- Anschlagschiene verwenden.
- Werkstück fest gegen den Queranschlag (7) drücken.
- Säge einschalten.
- Queranschlag (7) und Werkstück in Richtung des Sägeblattes schieben, um den Schnitt auszuführen.

Achtung:

Halten Sie immer das geführte Werkstück fest, nie das freie Werkstück, welches abgeschnitten wird.

- Queranschlag (7) immer so weit vorschieben, bis das Werkstück vollständig durchgeschnitten ist.
- Säge wieder ausschalten. Sägeabfall erst entfernen, wenn das Sägeblatt stillsteht.

10.3 Schneiden von Spanplatten

Um ein Ausbrechen der Schnittkanten beim Schneiden von Spanplatten zu verhindern, sollte das Sägeblatt (3) nicht höher als 5 mm über Werkstückdicke eingestellt werden (siehe auch Punkt 9.2).

11. Transport

1. Schalten Sie das Elektrowerkzeug vor jeglichem Transport aus und trennen Sie es von der Stromversorgung.
2. Tragen Sie das Elektrowerkzeug mindestens zu zweit, fassen Sie nicht an den Tischverbreiterungen an.
3. Schützen Sie das Elektrowerkzeug vor Schlägen, Stößen und starken Vibrationen, z.B. beim Transport in Fahrzeugen.
4. Sichern Sie das Elektrowerkzeug gegen Kippen und Verrutschen.
5. Verwenden Sie Schutzvorrichtungen niemals zur Handhabung oder Transport.

12. Wartung

⚠ **Warnung!** Vor jeglicher Einstellung, Instandhaltung oder Instandsetzung Netzstecker ziehen!

12.1 Allgemeine Wartungsmaßnahmen

- Halten Sie Schutzvorrichtungen, Luftschlitze und Motorenhäuser so staub- und schmutzfrei wie möglich. Reiben Sie das Gerät mit einem sauberen Tuch ab oder blasen Sie es mit Druckluft bei niedrigem Druck aus.
- Wir empfehlen, dass Sie das Gerät direkt nach jeder Benutzung reinigen.
- Reinigen Sie das Gerät regelmäßig mit einem feuchten Tuch und etwas Schmierseife. Verwenden Sie keine Reinigungs- oder Lösungsmittel; diese könnten die Kunststoffteile des Gerätes angreifen. Achten Sie darauf, dass kein Wasser in das Geräteinnere gelangen kann.

- Ölen Sie zur Verlängerung des Werkzeuglebens einmal pro Monat die Drehteile. Ölen Sie nicht den Motor.

12.2 Kohlebürsten

- Bei übermäßiger Funkenbildung lassen Sie die Kohlebürsten durch eine Elektrofachkraft überprüfen. Achtung! Die Kohlebürsten dürfen nur von einer Elektrofachkraft ausgewechselt werden.

13. Lagerung

Lagern Sie das Gerät und dessen Zubehör an einem dunklen, trockenen und frostfreiem sowie für Kinder unzugänglichem Ort. Die optimale Lagertemperatur liegt zwischen 5 und 30°C.

Bewahren Sie das Elektrowerkzeug in der Originalverpackung auf.

Decken Sie das Elektrowerkzeug ab, um es vor Staub oder Feuchtigkeit zu schützen.

Sägeblätter und Schlüssel, die nicht im Gebrauch sind, können wie in Abb.23 verstaut werden.

Bewahren Sie die Bedienungsanleitung bei dem Elektrowerkzeug auf.

14. Elektrischer Anschluss

Der installierte Elektromotor ist betriebsfertig angeschlossen. Der Anschluss entspricht den einschlägigen VDE- und DIN-Bestimmungen. Der kundenseitige Netzanschluss sowie die verwendete Verlängerungsleitung müssen diesen Vorschriften entsprechen.

- Das Produkt erfüllt die Anforderungen der EN 61000-3-11 und unterliegt Sonderanschlußbedingungen. Das heisst, dass eine Verwendung an beliebigen frei wählbaren Anschlusspunkten nicht zulässig ist.
- Das Gerät kann bei ungünstigen Netzverhältnissen zu vorübergehenden Spannungsschwankungen führen.
- Das Produkt ist zur Verwendung nur in Anwesen vorgesehen, die eine Dauerstrombelastbarkeit des Netzes von mindestens 100 A je Phase haben und von einem Verteilernetz mit einer Nennspannung von 230V versorgt werden.
- Sie müssen als Benutzer sicherstellen, wenn nötig in Rücksprache mit Ihrem Energieversorgungsunternehmen, dass die Dauerstrombelastbarkeit des Netzes am Anschlusspunkt mit dem öffentlichen Netz für den Anschluss des Produktes ausreicht.

Wichtige Hinweise

Bei Überlastung des Motors schaltet dieser selbständig ab. Nach einer Abkühlzeit (zeitlich unterschiedlich) lässt sich der Motor wieder einschalten.

Schadhafte Elektro-Anschlussleitung

An elektrischen Anschlussleitungen entstehen oft Isolationsschäden.

Ursachen hierfür können sein:

- Druckstellen, wenn Anschlussleitungen durch Fenster oder Türspalten geführt werden.
- Knickstellen durch unsachgemäße Befestigung oder Führung der Anschlussleitung.

- Schnittstellen durch Überfahren der Anschlussleitung.
- Isolationsschäden durch Herausreißen aus der Wandsteckdose.

- Risse durch Alterung der Isolation.

Solch schadhafte Elektro-Anschlussleitungen dürfen nicht verwendet werden und sind aufgrund der Isolationsschäden lebensgefährlich.

Elektrische Anschlussleitungen regelmäßig auf Schäden überprüfen. Achten Sie darauf, dass beim Überprüfen die Anschlussleitung nicht am Stromnetz hängt. Elektrische Anschlussleitungen müssen den einschlägigen VDE- und DIN-Bestimmungen entsprechen.

Verwenden Sie nur Anschlussleitungen mit Kennzeichnung H05VV-F.

Ein Aufdruck der Typenbezeichnung auf dem Anschlusskabel ist Vorschrift.

Wechselstrommotor

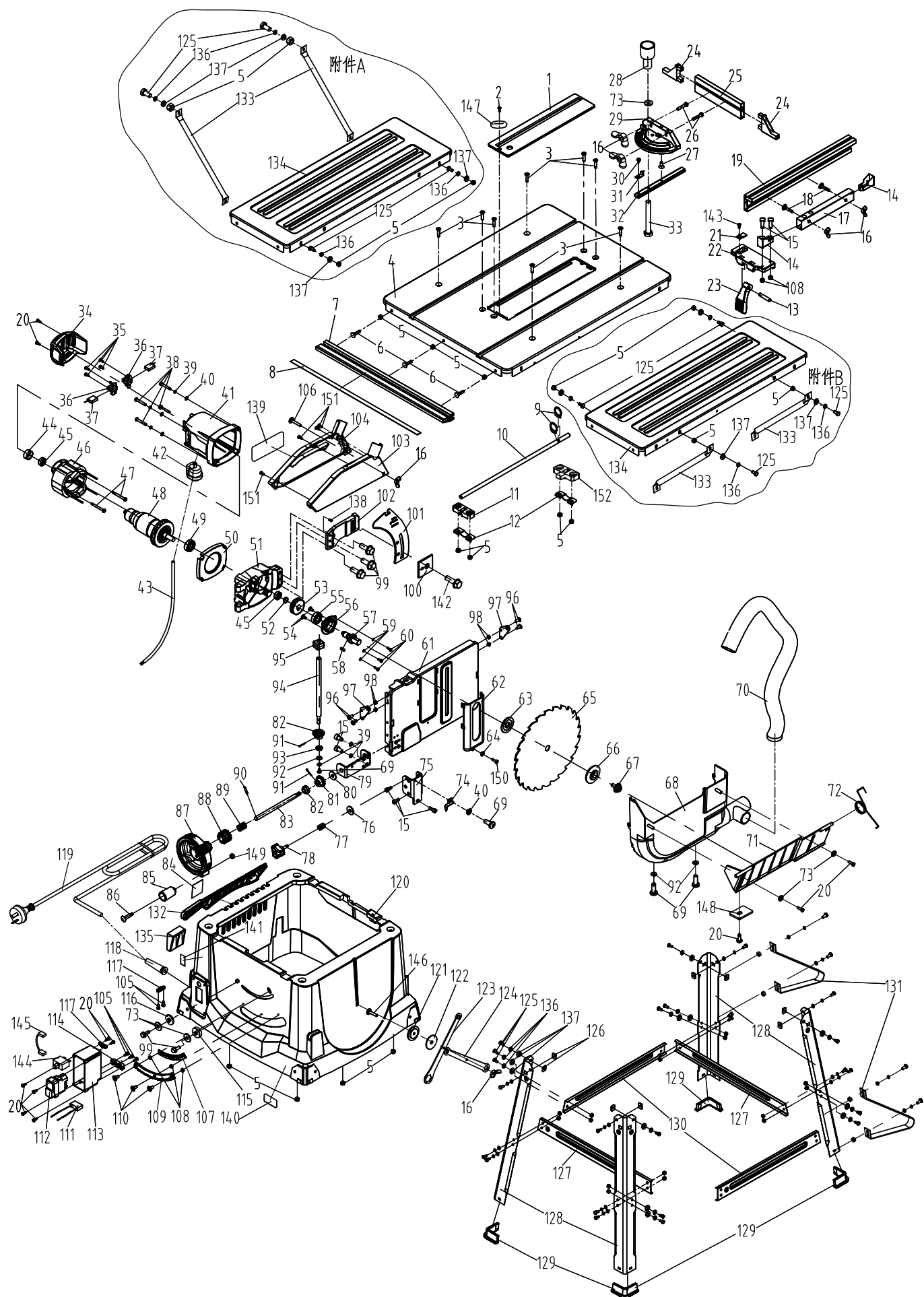
- Die Netzspannung muss 230 V~ betragen.
 - Verlängerungsleitungen bis 25 m Länge müssen einen Querschnitt von 1,5 Quadratmillimeter aufweisen.
- Anschlüsse und Reparaturen der elektrischen Ausrüstung dürfen nur von einer Elektro-Fachkraft durchgeführt werden.

Bei Rückfragen bitte folgende Daten angeben:

- Stromart des Motors
- Daten des Maschinen-Typschildes
- Daten des Motor-Typschildes

15. Störungsabhilfe

Störung	Mögliche Ursache	Abhilfe
1. Sägeblatt löst sich nach Abschalten des Motors	Befestigungsmutter zu leicht angezogen	Befestigungsmutter Rechtsgewinde anziehen
2. Motor läuft nicht an	a) Ausfall Netzsicherung	a) Netzsicherung prüfen
	b) Verlängerungsleitung defekt	b) Verlängerungsleitung austauschen
	c) Anschlüsse an Motor oder Schalter nicht in Ordnung	c) Von Elektrofachkraft prüfen lassen
	d) Motor oder Schalter defekt	d) Von Elektrokraft prüfen lassen
3. Motor falsche Drehrichtung	a) Kondensator defekt	a) Von Elektrofachkraft prüfen lassen
	b) Falschanschluss	b) Von Elektrofachkraft Polarität der Wandsteckdose tauschen lassen
4. Motor bringt keine Leistung, die Sicherung spricht an	a) Querschnitt der Verlängerungsleitung nicht ausreichend	a) siehe Elektrischer Anschluss
	b) Überlastung durch stumpfes Sägeblatt	b) Sägeblatt wechseln
5. Brandflächen an der Schnittfläche	a) stumpfes Sägeblatt	a) Sägeblatt schärfen, austauschen
	b) falsches Sägeblatt	b) Sägeblatt austauschen



EC Declaration of Conformity



DE	erklärt folgende Konformität gemäß EU-Richtlinie und Normen für den Artikel	SK	prehlasuje nasledujúcu zhodu podľa smernice EU a noriem pre výrobok
GB	hereby declares the following conformity under the EU Directive and standards for the following article	EST	kinnitab järgmist vastavust vastavalt ELi direktiivi ja standardite järgmist artiklumbrit
FR	déclare la conformité suivante selon la directive UE et les normes pour l'article	LT	pareiškia, taip atitiktis pagal ES direktyvos ir standartai šį straipsnį
IT	dichiara la seguente conformità secondo le direttive e le normative UE per l'articolo	LV	apliecina šādu saskaņā ar ES direktīvu atbilstības un standarti šādu rakstu
CZ	prohlašuje následující shodu podle smernice EU a norem pro výrobek	NL	verklaart hierbij dat het volgende artikel voldoet aan de daarop betrekking hebbende EG-richtlijnen en normen
HU	az EU-irányelv és a vonatkozó szabványok szerinti következő megfeleléségi nyilatkozatot teszi a termékre	RUS	заявляет о соответствии товара следующим директивам и нормам ЕС
HR	ovime izjavljuje da postoji skladnost prema EU-smjernica i normama za sljedece artikle	PT	declara o seguinte conformidade com a Directiva da UE e as normas para o seguinte artigo
RO	declară următoarea conformitate corespunzător directivelor și normelor UE pentru articolul	ES	declara la conformidad siguiente según la directiva la UE y las normas para el artículo
TR	Normları gereğince aşağıdaki uygunluk açıklama masını sunar.	DK	erklærer hermed, at følgende produkt er ioverensstemmelse med nedenstående EUdirektiver og standarder:
FIN	vakuuttaa täten, että seuraava tuote täyttää alla esitettyt EU-direktiivit ja standardit	SE	försäkrar härmed följande överensstämmelse enligt EU-direktiv och standarder för följande artikeln
PL	deklaruje, że produkt jest zgodny z następującymi dyrektywami UE i normami	NO	erklærer herved følgende samsvar under EU-direktiv og standarder for følgende artikkel
SLO	izjavlja sledeco skladnost z EU-direktivo in normami za artikel	BG	декларира съответното съответствие съгласно Директива на ЕС и норми за артикул

Table Saw - HS100S

<input type="checkbox"/>	2009/105/EC	<input type="checkbox"/>	89/686/EC_96/58/EC
<input checked="" type="checkbox"/>	2014/35/EU	<input checked="" type="checkbox"/>	2006/42/EC
<input type="checkbox"/>	2006/28/EC	<input checked="" type="checkbox"/>	Annex IV Notified Body:TÜV SÜD Product Service GmbH Ridlerstraße 65 D-80339 München Germany Notified Body No.: 0123 Reg. No.: N8M 15 05 42661 349
<input type="checkbox"/>	2005/32/EC	<input type="checkbox"/>	2000/14/EC_2005/88/EC
<input checked="" type="checkbox"/>	2014/30/EU	<input type="checkbox"/>	Annex V
<input type="checkbox"/>	2004/22/EC	<input type="checkbox"/>	Annex VI Noise: measured L _{WA} = xx dB(A); guaranteed L _{WA} = xx dB(A) Notified Body: Notified Body No.:
<input type="checkbox"/>	1999/5/EC	<input type="checkbox"/>	2004/26/EC
<input type="checkbox"/>	97/23/EC	<input type="checkbox"/>	Emission. No:
<input type="checkbox"/>	90/396/EC		
<input checked="" type="checkbox"/>	2011/65/EU		

Standard references: EN 61029-1:2009/A11:2010; EN 61029-2-1:2012; EN 55014-1:2006/A2:2011; EN 55014-2:1997/A2:2008; EN 61000-3-2:2014; EN 61000-3-11:2000

Ichenhausen, 04.07.2016

Signature / Markus Bindhammer / Technical Director

Art.-No. 5901310901 / 5901310903
Subject to change without notice

Documents registrar: Andreas Pecher
Günzburger Str. 69, D-89335 Ichenhausen

Garantie DE

Offensichtliche Mängel sind innerhalb von 8 Tagen nach Erhalt der Ware anzuzeigen, andernfalls verliert der Käufer sämtliche Ansprüche wegen solcher Mängel. Wir leisten Garantie für unsere Maschinen bei richtiger Behandlung auf die Dauer der gesetzlichen Gewährleistungsfrist ab Übergabe in der Weise, dass wir jedes Maschinenteil, dass innerhalb dieser Zeit nachweisbar in Folge Material- oder Fertigungsfehler unbrauchbar werden sollte, kostenlos ersetzen. Für

Teile, die wir nicht selbst herstellen, leisten wir nur insoweit Gewähr, als uns Gewährleistungsansprüche gegen die Vorlieferanten zustehen. Die Kosten für das Einsetzen der neuen Teile trägt der Käufer. Wandlungs- und Minderungsansprüche und sonstige Schadensersatzansprüche sind ausgeschlossen.

Warranty GB

Apparent defects must be notified within 8 days from the receipt of the goods. Otherwise, the buyer's rights of claim due to such defects are invalidated. We guarantee for our machines in case of proper treatment for the time of the statutory warranty period from delivery in such a way that we replace any machine part free of charge which provably becomes unusable due to faulty material or defects of fabrication within such period of time. With respect to parts not

manufactured by us we only warrant insofar as we are entitled to warranty claims against the upstream suppliers. The costs for the installation of the new parts shall be borne by the buyer. The cancellation of sale or the reduction of purchase price as well as any other claims for damages shall be excluded.

Garantie FR

Les défauts visibles doivent être signalés au plus tard 8 jours après la réception de la marchandise, sans quoi l'acheteur perd tout droit au dédommagement.

Nous garantissons nos machines, dans la mesure où elles sont utilisées de façon conforme, pendant la durée légale de garantie à compter de la réception, sachant que nous remplaçons gratuitement toute pièce de la machine devenue inutilisable du fait d'un défaut de matière ou

d'usinage durant cette période. Toutes les pièces que nous ne fabriquons pas nous-mêmes ne sont garanties que si nous avons la possibilité d'un recours en garantie auprès des fournisseurs respectifs. Les frais de main d'œuvre occasionnés par le remplacement des pièces sont à la charge de l'acquéreur. Tous droits à réhabilitation et toutes prétentions à une remise ainsi que tous autres droits à dommages et intérêts sont exclus

Garanzia IT

Vizi evidenti vanno segnalati entro 8 giorni dalla ricezione della merce, altrimenti decadono tutti i diritti dell'acquirente inerenti a vizi del genere. Appurato un impiego corretto da parte dell'acquirente, garantiamo per le nostre macchine per tutto il periodo legale di garanzia a decorrere dalla consegna in maniera tale che sostituiamo gratuitamente qualsiasi componente che entro tale periodo presenti dei vizi di materiale o di fabbricazione tali da renderlo inutilizzabile. Per

componenti non fabbricati da noi garantiamo solo nella misura nella quale noi stessi possiamo rivendicare diritti a garanzia nei confronti dei nostri fornitori. Le spese per il montaggio dei componenti nuovi sono a carico dell'acquirente. Sono escluse pretese di risoluzione per vizi, di riduzione o ulteriori pretese di risarcimento danni.

Garantie NL

Zichtbare gebreken moeten binnen de 8 dagen na ontvangst van de goederen worden gemeld, zo niet verliest de verkoper elke aanspraak op grond van deze gebreken. Onze machines worden geleverd met een garantie voor de duur van de wettelijke garantietermijn. Deze termijn gaat in vanaf het moment dat de koper de machine ontvangt. De garantie houdt in dat wij elk onderdeel van de machine dat binnen de garantietermijn aantoonbaar onbruikbaar wordt als gevolg van materiaal- of productiefouten, kosteloos vervangen. De garantie vervalt echter bij

verkeerd gebruik of verkeerde behandeling van de machine. Voor onderdelen die wij niet zelf produceren, geven wij enkel de garantie die wij zelf krijgen van de oorspronkelijke leverancier. De kosten voor de montage van nieuwe onderdelen vallen ten laste van de koper. Eisen tot het aanbrengen van veranderingen of het toestaan van een korting en overige schadeloosstellingsclaims zijn uitgesloten.

Garantía ES

Los defectos evidentes deberán ser notificados dentro de 8 días después de haber recibido la mercancía, de lo contrario el comprador pierde todos los derechos sobre tales defectos. Garantizamos nuestras máquinas en caso de manipulación correcta durante el plazo de garantía legal a partir de la entrega. Sustituiremos gratuitamente toda pieza de la máquina que dentro de este plazo se torne inútil a causa de fallas de material o de fabricación. Las piezas que no

son fabricadas por nosotros mismos serán garantizadas hasta el punto que nos corresponda garantía del suministrador anterior. Los costes por la colocación de piezas nuevas recaen sobre el comprador. Están excluidos derechos por modificaciones, aminoraciones y otros derechos de indemnización por daños y perjuicios.

Garantia PT

Para este aparelho concedemos garantia de 24 meses. A garantia cobre exclusivamente defeitos de material ou de fabricação. Peças avariadas são substituídas gratuitamente. cabe ao cliente efetuar a substituição. Assumimos a garantia unicamente de peças genuínas. Não há direito à garantia no caso de: peças de desgaste, danos de transporte, danos causados

pelo manejo indevido ou pela desatenção as instruções de serviço, falhas da instalação elétrica por inobservância das normas relativas à electricidade. Além disso, a garantia só poderá ser reinvidicada para aparelhos que não tenham sido consertados por terceiros. O cartão de garantia só vale em conexão com a fatura.

Garanti NO

Åpenbare mangler skal meldes innen 8 dager etter at varen er mottatt, ellers taper kunden samtlige krav pga slik mangel. Vi gir garanti for at våre maskiner ved riktig behandling under den rettslige garantiens varighet, fra overlevering, på den måten at vi erstatter kostnadsfritt hver maskindel, som innen denne tiden påviselig er ubrukelig som følge av material- eller

produksjonsfeil. For deler som vi ikke produserer selv, yter vi garanti kun i den utstrekning som garantikrav mot underleverandør tilkommer oss. Kjøperen bærer kostnadene ved montering av nye deler. Endrings- og verditapskrav og øvrige skadeerstatningskrav er utelukkede.

Takuu FI

Ilmeisistä puutteista tulee ilmoittaa kahdeksan päivän kuluessa tavaran vastaanottamisesta. Muutoin ostaja ei voi vaatia korvausta ko. puutteista. Annamme takuun oikein käsitellyille koneillemme lakisääteiseksi takuujaksi tavaran luovutuksesta alkaen siten, että vaihdamme korvauksetta minkä tahansa koneenoson, joka osoittautuu tämän ajan kuluessa käyttökelvot-

tomaksi raaka-aine- tai valmistusvirheestä johtuen. Osille, joita emme valmista itse, annamme takuun vain mikäli osien toimittaja on antanut niistä takuun meille. Uusien osien asennuskustannukset maksaa ostaja. Purku- ja vähennysvaatimukset ja muut vahingonkorvausvaatimukset eivät tule kysymykseen.

Garanti SE

Med denna maskin följer en 24 månaders garanti. Garantins täcker endast material- och konstruktionsfel. Defekta delar ersätts utan omkostningar, men kunden står för installationen. Vår garanti täcker endast original-delar. Anspråk på garanti öreligger inte för: garantin täcker ej,

transportskador, skador orsakade av felaktig behandling och då skötsel föreskrifter inte beaktats. Vidare kan garantikrav endast ställas för maskiner som inte har reparerats av tredje part.

Záruka SK

Zrejme vady musia byť predstavené v priebehu 8 dni po obdržaní tovaru, ináč zákazník stratí všetky nároky týkajúce sa takejto vady. Ponúkame záruku na naše aparaty, ktoré sú správne používané počas zákonného termínu záruky tak, že bezplatne vymeníme každú časť aparátu, ktorá sa v priebehu tohto času môže stať dokázateľne nefunkčnou dôsledkom materiálnej či

výrobnej vady. Na časti ktoré sami nevyrobíme, poskytujeme záruku iba v rozsahu, v ktorom nám prísluší nárok na záručné plnenie k subdodávateľovi. Za trovy týkajúce sa inštalácie novej súčiastky je zodpovedný zákazník. Nárok na výmenu tovaru, na zľavu a iné nároky na nahradenie škody sú vylúčené.

Garancija SI

Očitne pomanjkljivosti je potrebno naznaniti 8 dni po prejemu blaga, v nasprotnem primeru izgubi kupec vse pravice do garancije zaradi takšnih pomanjkljivosti. Za naše naprave dajemo garancijo ob pravilni uporabi za čas zakonsko določenega roka garancije od predaje in sicer na takšen način, da vsak del naprave brezplačno nadomestimo, za katerega bi se v tem roku

izkazalo, da je zaradi slabega materiala ali slabe izdelave neuporaben. Za dele, ki jih sami ne izdelujemo, jamčimo samo toliko, kolikor zahteva garancija drugih podjetij. Stroški za vstavljanje novih delov nosi kupec. Zahteve za spreminjanje in zmanjšanje ter ostale zahteve za nadomestilo škode so izključene.

Szavatosság HU

A nyilvánvaló hibákat ki kell jelenteni számított 8 napon belül az áruk, különben a vevő elveszti minden igényt az ilyen hibák. Kínálunk garanciát a gépeinket a megfelelő kezelés időtartamának hallgatólagos garancia a szállítás időpontját oly módon, hogy cserélje ki minden egyes része ezen idő alatt észlelhető a sorban anyag-vagy gyártási legyen hiábavaló, ingyen. Az alkatrészeket, hogy

nem termel magunkat, hogy csak olyan garanciát, hiszen jogosultak jótállási igények beszállítókkal szemben. A költségek beillesztése az új részek a vevőnek. Átalakítása és csökkentése követelések és egyéb kártérítési igények ki vannak zárva.

Garancija HR

Vidljive štete se moraju prijaviti u roku od 8 dana od primitka robe. U suprotnom slučaju kupac gubi pravo na reklamaciju. Mi jamčimo za naše strojeve u slučaju ispravnog postupanja tijekom perioda zakonskog jamstva tako što zamijenjujemo besplatno bilo koji dio stroja koji dokazano postane neupotrebljiv uslijed neispravnog materijala ili grešaka u proizvodnji u tom vremenskom

periodu. Za dijelove koje mi nismo proizveli jamčimo samo ukoliko imamo pravo na reklamaciju prema dobavljačima. Troškove za ugradnju novih dijelova snosi kupac. Molbe za smanjenjem cijene kao i sve druge reklamacije zbog šteta su isključene.

Záruka CZ

Viditelné vady jsou poukazatelné během 8 dní od obdržení zboží, jinak ztrácí zákazník všechny nároky týkající se takovýchto vad. Poskytujeme záruku na naše stroje, s kterými je správně zacházeno, na dobu zákonně záruční lhůty začínající od doručení tak, že bezplatně vyměníme každou část stroje, která se během této doby může stát prokazatelně nepoužitelnou následkem

materiálové či výrobní vady. Na díly, které sami neopravujeme, poskytujeme záruku pouze v rozsahu, v němž nám přísluší nárok na záruční plnění vůči subdodavateli. Náklady na instalaci nového dílu nese zákazník. Nárok na výměnu zboží, na slevu a jiné nároky na odškodnění jsou vyloučené.

Gwarancja PL

Wszelkie uszkodzenia muszą być zgłaszane w przeciagu 8 dni od daty otrzymania towaru, w przeciwnym wypadku, prawo do reklamacji wygasa. Gwarantujemy, że w czasie trwania gwarancji wymienimy wszelkie części maszyny, które okażą się niesprawne na skutek wad materiału z jakiego zostały wykonane lub błędów w produkcji bez dodatkowych opłat pod warunkiem, że maszyna

będzie obsługiwana zgodnie z zaleceniami. W odniesieniu do części nie produkowanych przez nas, gwarancja obowiązuje tylko w przypadku naszych dostawców. Koszty instalacji nowych części są ponoszone przez klienta. Odszkodowania wynikłe z uszkodzeń maszyny oraz redukcje ceny zakupu maszyny w ramach reklamacji nie będą rozpatrywane.

Garantie RO

Defecte evidente trebuie să fie raportate în termen de 8 zile de la primirea de bunuri, altfel cumpărătorul pierde toate cererile pentru astfel de defecte. Oferim o garanție de pe mașinile noastre cu un tratament adecvat pe durata unei garanții implicite de la data de livrare în așa fel încât vom înlocui fiecare parte în acel moment detectabil într-un rând în material sau manoperă ar fi inutil, gratuit. Pentru părțile care nu ne pro-

duc, vom face doar o astfel de garanție, așa cum avem dreptul la pretenții de garanție împotriva furnizorilor. Costurile pentru introducerea de piese noi la cumpărător. Converse și reducerea creanțe și alte cererile de despăgubire sunt excluse.

Garantii EE

Ilmseltest vigadest tuleb teatada 8 päeva jooksul pärast kauba kättesaamist, vastasel juhul kaotab ostja kõik õigused garantiile nimetatud vigade tõttu. Õige käsitsemise korral anname oma masinatele garantii seadusega ettenähtud ajaks alates kauba üleandmisest nii, et vahetame tasuta välja kõik masina osad, mis nimetatud aja jooksul peaks muutuma kasutuskõlbmatuks

materjali- või tootmisvea tõttu. Osade eest, mida me ise ei tooda, anname garantii vaid selles osas, mis tarnija on meile garanteerinud. Uute osade paigaldamise kulud kannab ostja. Muutmis- ja amortisatsiooninõuded ning muud kahjutasunõuded välistatakse.

Garantija LV

Acīmredzami defekti ir jāpaziņo 8 dienu laikā no preces saņemšanas. Pretējā gadījumā pircēja tiesības pieprasīt atbildību par šādiem defektiem ir spēkā neesošas. Mēs dodam garantiju savām iekārtām, ja pircējs pret tām atbilstoši izturas garantijas laikā. Mēs apņemamies bez maksas piegādāt jebkuru rezerves daļu, kas iespējams kļuvusi nelietoājama bojātu materiālu vai ražošanas defektu dēļ šajā laika periodā. Attiecībā uz rezerves daļām, kuras nav mūsu ražotas, mēs garantējam

tikai gadījumā, ja mums ir garantija no saviem piegādātājiem. Jauno detaļu uzstādīšanas izmaksas ir jāuzņemas pircējam. Pirkuma atcelšana vai pirkuma cenas samazināšana, kā arī jebkuras citas prasības par bojājumu atbildzināšanu netiek izskatītas.

Garantija LT

Dėl akivaizdžiai matomų defektų turi būti informuota per 8 dienas nuo įrenginio gavimo momento. Kitu atveju pirkėjo teisė reikšti pretenziją dėl šių defektų yra negaliojanti. Savo įrenginiams mes garantuojame įstatymo nustatytą pilną aptarnavimą garantinio laikotarpio metu, jei yra laikomasi gamintojo-vartotojo susitarimo ir mes pažadame nemokamai pakeisti bet kurias mašinos dalis,

sugedusias dėl blogos medžiagos ar gamyklinio broko. Mes neatsakome už dalis, pagamintas ne mūsų ir jūsų gautas iš kito tiekėjo. Naujų dalių montavimo kaštai yra pirkėjo atsakomybė. Pirkimo nutraukimas ar pirkimo kainos sumažinimas, kaip ir bet kurios kitos pretenzijos dėl nuostolių nebus patenkinamos.

Abyrgð IS

Augljósar skemmdir verður að tilkynna innan 8 daga frá viðtöku vörunnar. Annars er réttur kaupanda um bætur vegna sílka skemmda ógildur. Við ábyrgjumst, í tilfelli réttar meðhöndlunar yfir lögbundið ábyrgðartímabil frá afhendingu, að við skiptum um hvern vélarhlut án kostnaðar sem ónothæfur er vegna gallaðs efnis eða skemmda í framleiðslu innan ákveðins tímabils. Af því er

tekur til hluti sem ekki eru framleiddir af okkur, ábyrgjumst við af því leiti aðeins að við eigum rétt á ábyrgðarkröfum gagnvart birgðasöllum. Kostnaður vegna uppsetningar á nýjum hlutum skal falla í skaut kaupanda. Ógilding sölu eða afsliáttur á kaupverði sem og aðrar kröfur vegna skemmda eru undanskildar.

Garanti TR

Apaçık kusurları malların alınmasından 8 gün içinde bildirilmesi gerekir, aksi takdirde alıcı bu kusurları için tüm talepler kaybeder. Biz ücretsiz, yarasız olmalıdır malzeme veya işçilik üst üste saptanabilir bu süre içinde her bir parça takmadan böyle bir şekilde teslim tarihinden itibaren zımnen garanti süresine uygun tedavi ile makinelerde bir garanti veriyoruz. Biz tedarikçiler karşı garanti

talepleri hakkı olarak kendimizi üretmek değil bu parça için, biz, sadece teminat olun. Alıcıya yeni parçaların yerleştirilmesi için maliyetleri. Dönüşüm ve azaltma iddiaları ve diğer tazminat talepleri dahil değildir.

гаранция BG

Очевидни недостатъци трябва да бъдат докладвани в рамките на 8 дни от получаването на стоки, в противен случай купувачът губи всякакви претенции за такива дефекти. Предлагаме гаранция на нашите машини с правилното лечение на срока на действие на косвена гаранция от датата на доставка по такъв начин, че ние замени всяка част в рамките на това време открива в един ред в материала или изработката трябва да бъде безполезно,

безплатно. За части, които ние не се произвеждат, ние правим само като гаранция, като имаме право на гаранционни искиве срещу доставчици. Разходите за вмякване на нови части на купувача. Преобразуване и намаляване вземания и други искивете за обезщетения, са изключени.

Гарантия RU

Об очевидных дефектах необходимо уведомить в течение 8 дней после получения товара. В ином случае все претензии покупателя по таким дефектам не принимаются. Мы предоставляем гарантию на наши машины при условии правильного обращения с ними. Гарантия действует с момента передачи машины в течение установленного законом гарантийного срока. В течение этого времени мы гарантируем бесплатную замену любой части машины, если они стали непригодны к использованию в результате доказуемых ошибок в применяемых

материалах или при изготовлении. На части машины, которые мы не изготавливаем сами, мы предоставляем гарантии в той мере, насколько нас касаются рекламационные претензии к изготовителям. Расходы по замене деталей несет покупатель. Претензии на расторжение договора купли-продажи, штрафы и прочие требования о возмещении ущерба исключаются.

Garantie BE-VLG

Zichtbare gebreken moeten binnen 8 dagen na ontvangst van de goederen worden gemeld, anders verliest de koper elk recht op aanspraak voor dergelijke gebreken. Bij een juiste behandeling van onze machines en gedurende de wettelijke garantietermijn vanaf de aflevering bieden wij garantie door elk machineonderdeel, dat tijdens deze periode door materiaal- of

productiefouten onbruikbaar zou worden, gratis te vervangen. Voor onderdelen die wij niet zelf produceren, bieden wij enkel garantie in de mate die de toeleveranciers ons bieden. De kosten voor de plaatsing van de nieuwe onderdelen draagt de koper. Aanspraken voor wijzigingen, waardevermindering en overige schadeloosstelling zijn uitgesloten.