

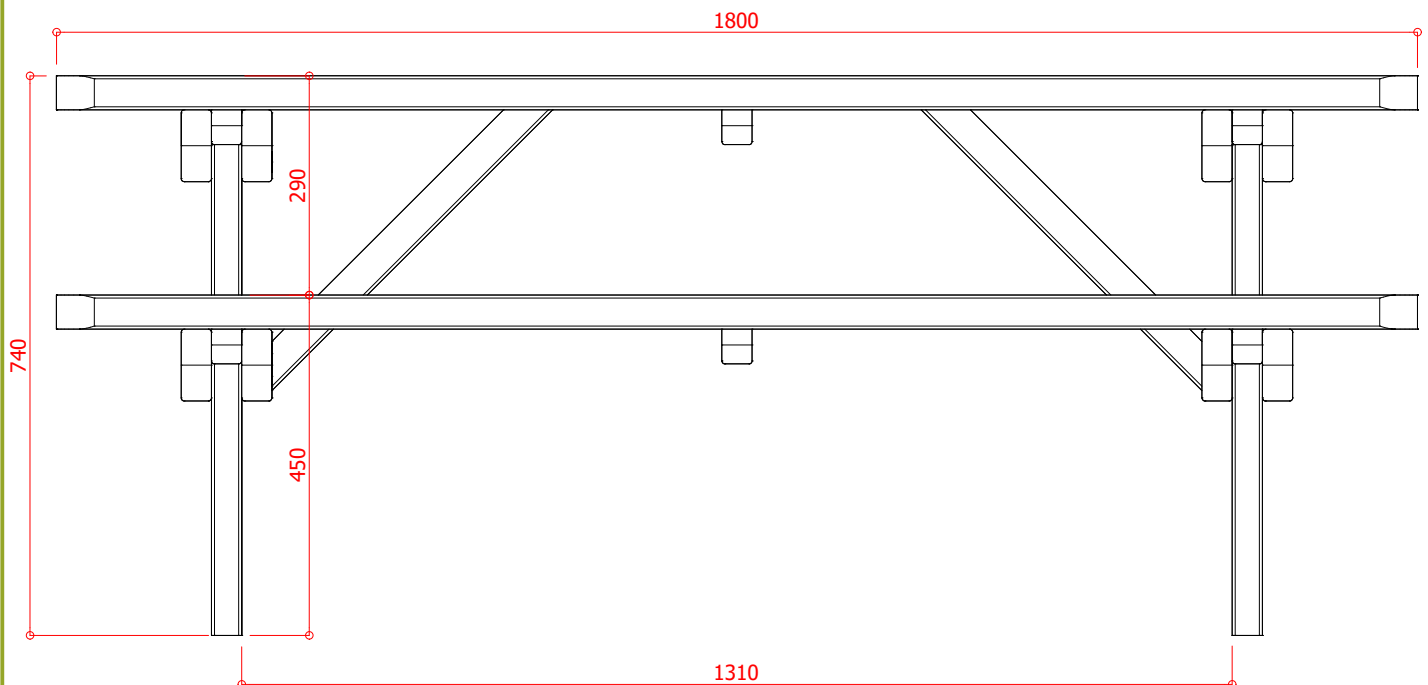
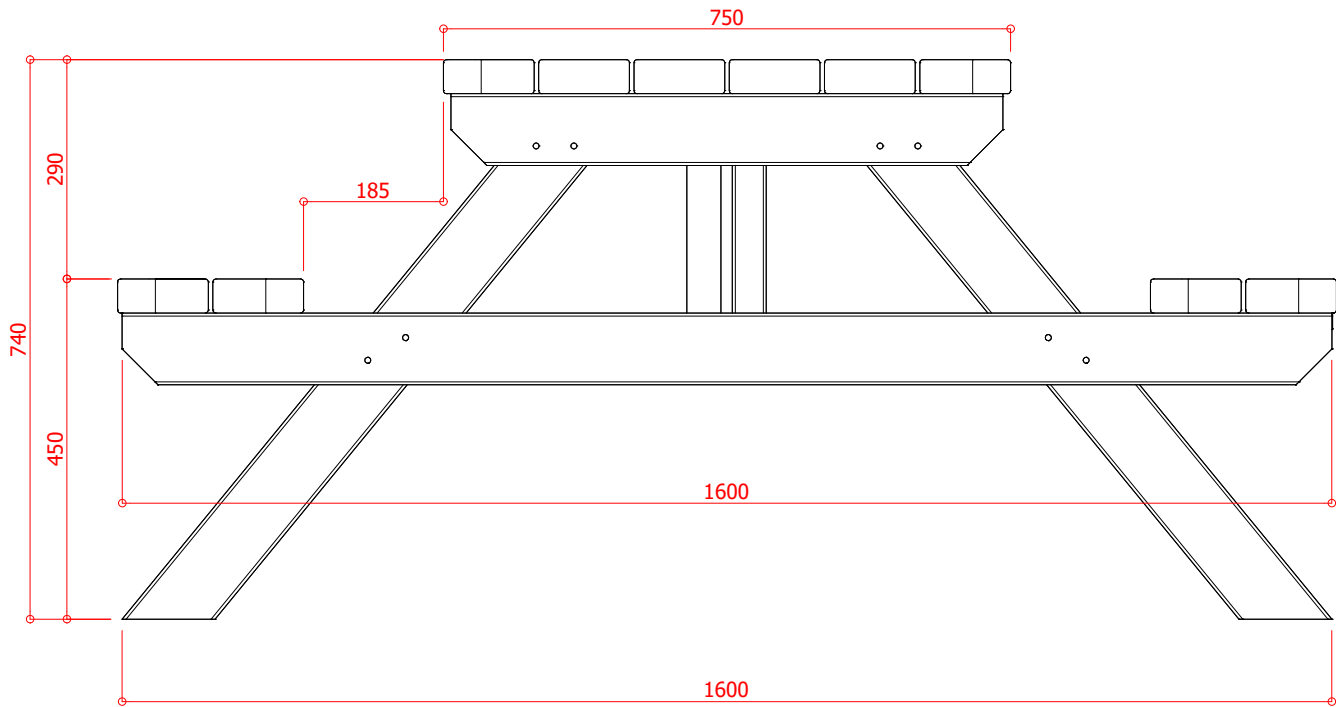


Ref.

L

Index

#

**SG907****PO** \_\_\_\_\_

Winkel / Magasin / Store / :

Klant / Client / Client / :  
Adres:

Verantwoordelijke / Responsable



	Ref.	L	Index	#	
	A	RW040x090-4R4-ANG-1	720	4	
	B	RW040x090-4R4-ANG-1	860	4	
	C	RW040x090-4R4-ANG-1	1600	4	
	D	SG907-D		1	
		D1 RW040x120-4R4-000-1	1800	6	
		D2 RW040x045-4R4-ANG-1	730	3	
	E	SG907-E		2	
		E1 RW040x120-4R4-000-1	1800	2	
		E2 RW040x045-4R4-ANG-1	230	3	
	F	RW040x045-4R4-ANG-1	710	2	
		SG907-zmt		1	
		M8 x 110	16		
	4.5 x 70	28			

## SG907

## PO \_\_\_\_\_

Winkel / Magasin / Store / :

Klant / Cliënt / Client / :  
Adres:

Verantwoordelijke / Responsable



Ref.

L

Index

#

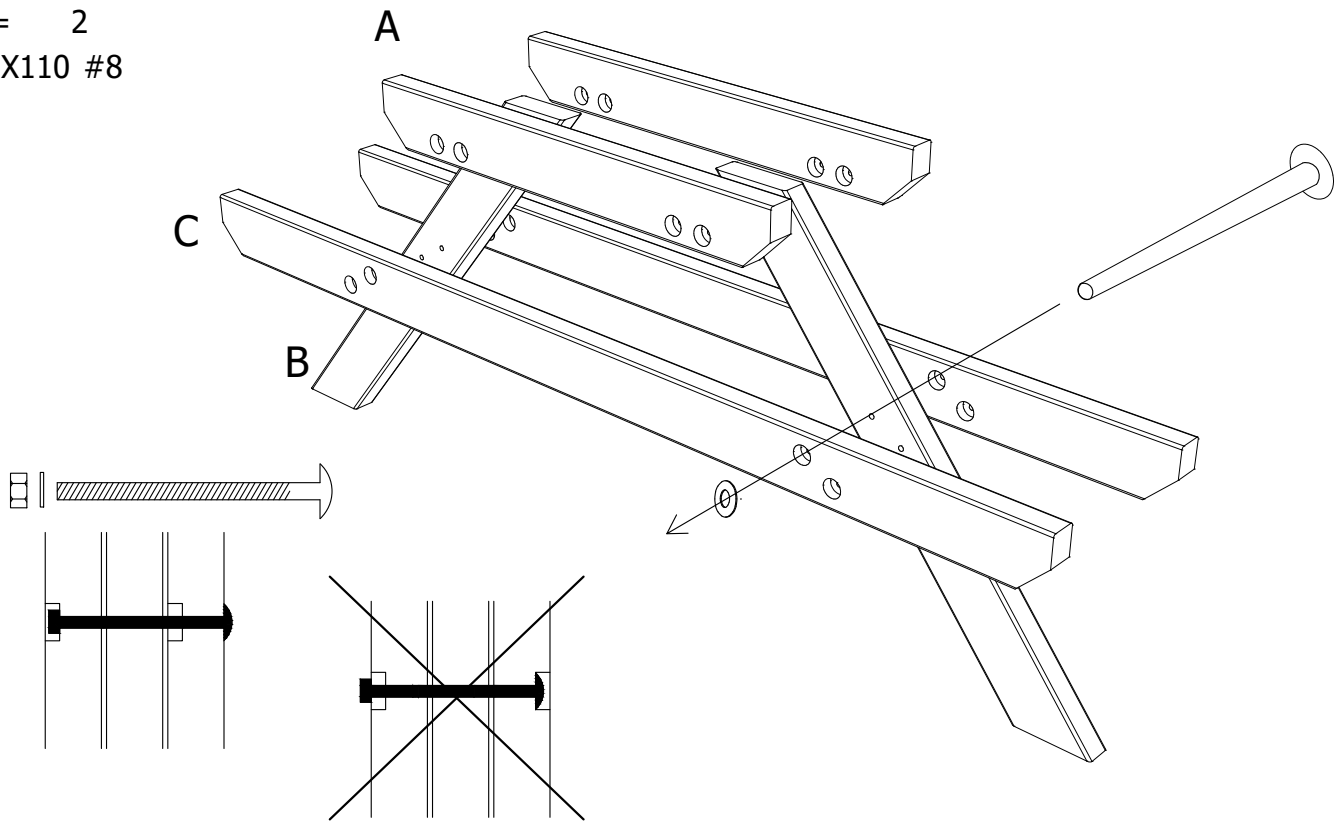
A = 2

B = 2

C = 2

M8X110 #8

1



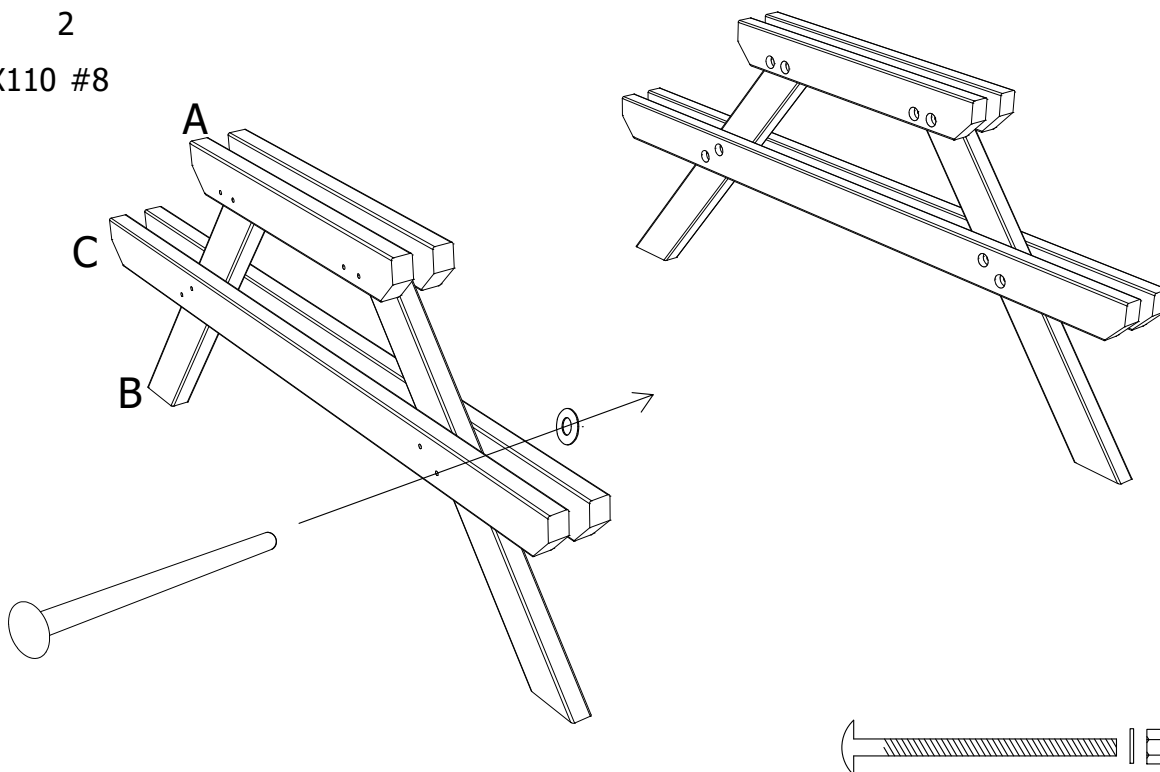
A = 2

B = 2

C = 2

M8X110 #8

2



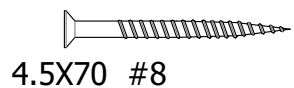
Ref.

L

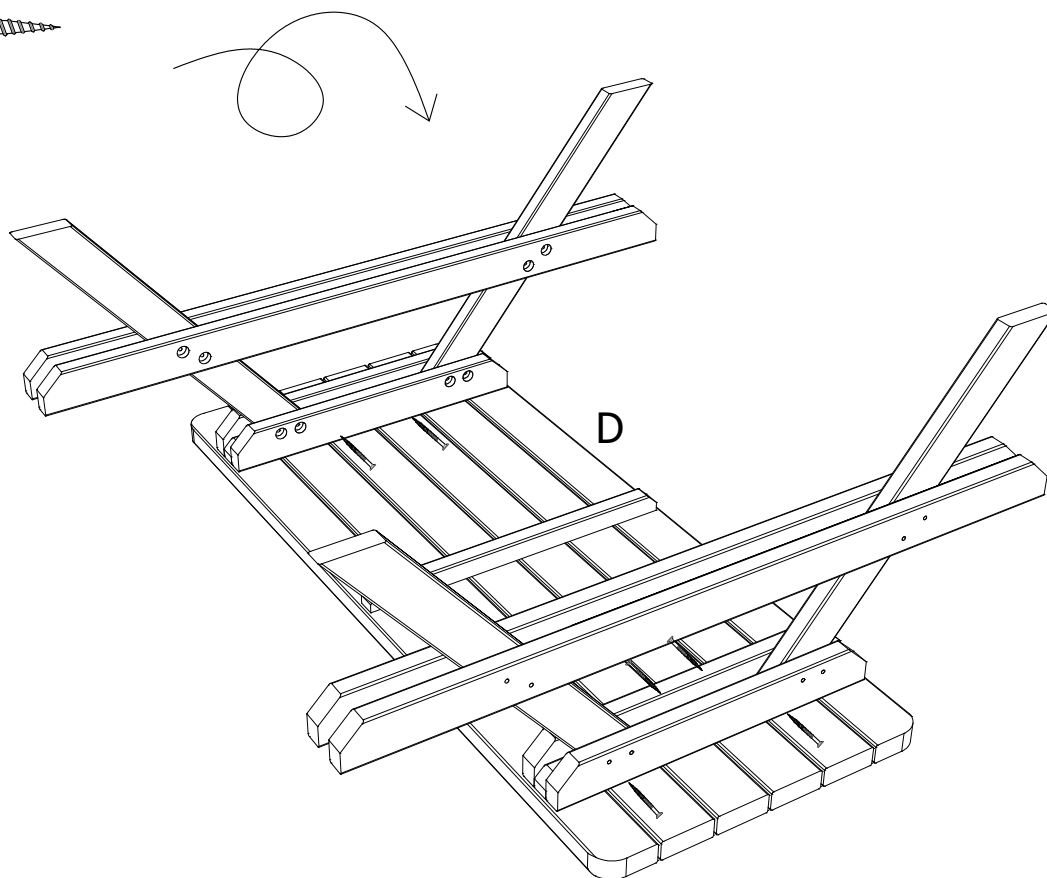
Index

#

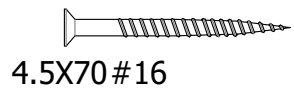
D = 1



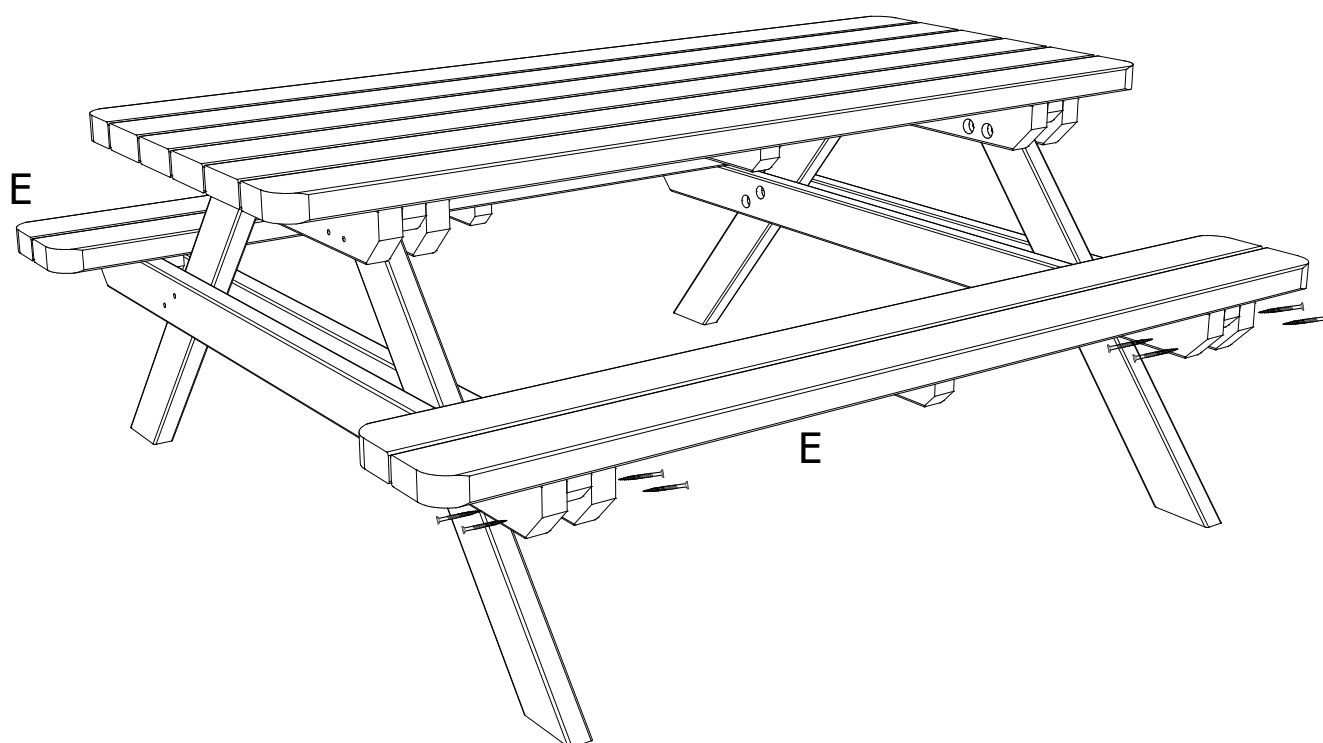
3



E = 2



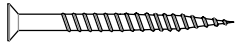
4



Ref.

L Index #

F = 2



4.5X70 #4

