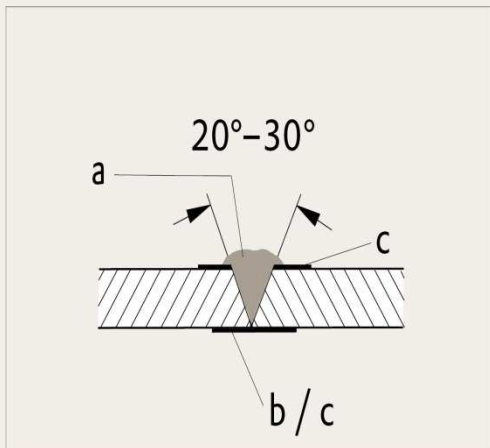


Technical Information

ACRIFIX® 2R 0190

2-Component Polymerization Adhesive

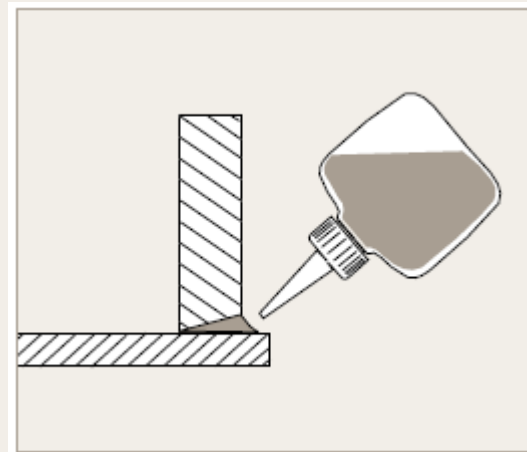


V-groove:

a = Adhesive

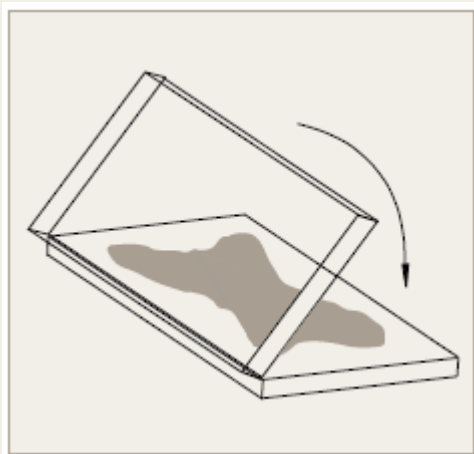
b = Adhesive tape with nonadhesive center strip

c = Adhesive polyester or cellulose tape



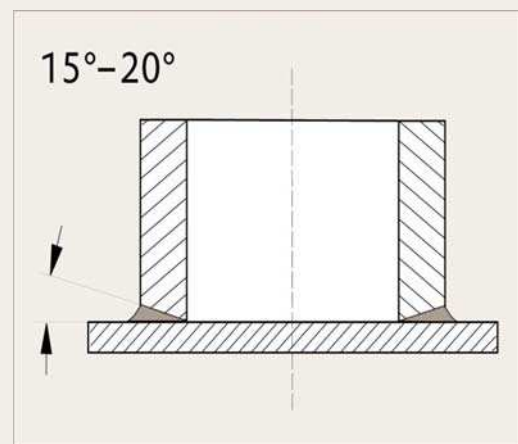
Angle joint:

Application of adhesive by PE glue dispenser



Area bonding:

Apply adhesive as a four-lobed dollop; fold down cover carefully from the edge.



Bonding a tube end