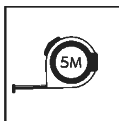
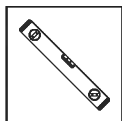
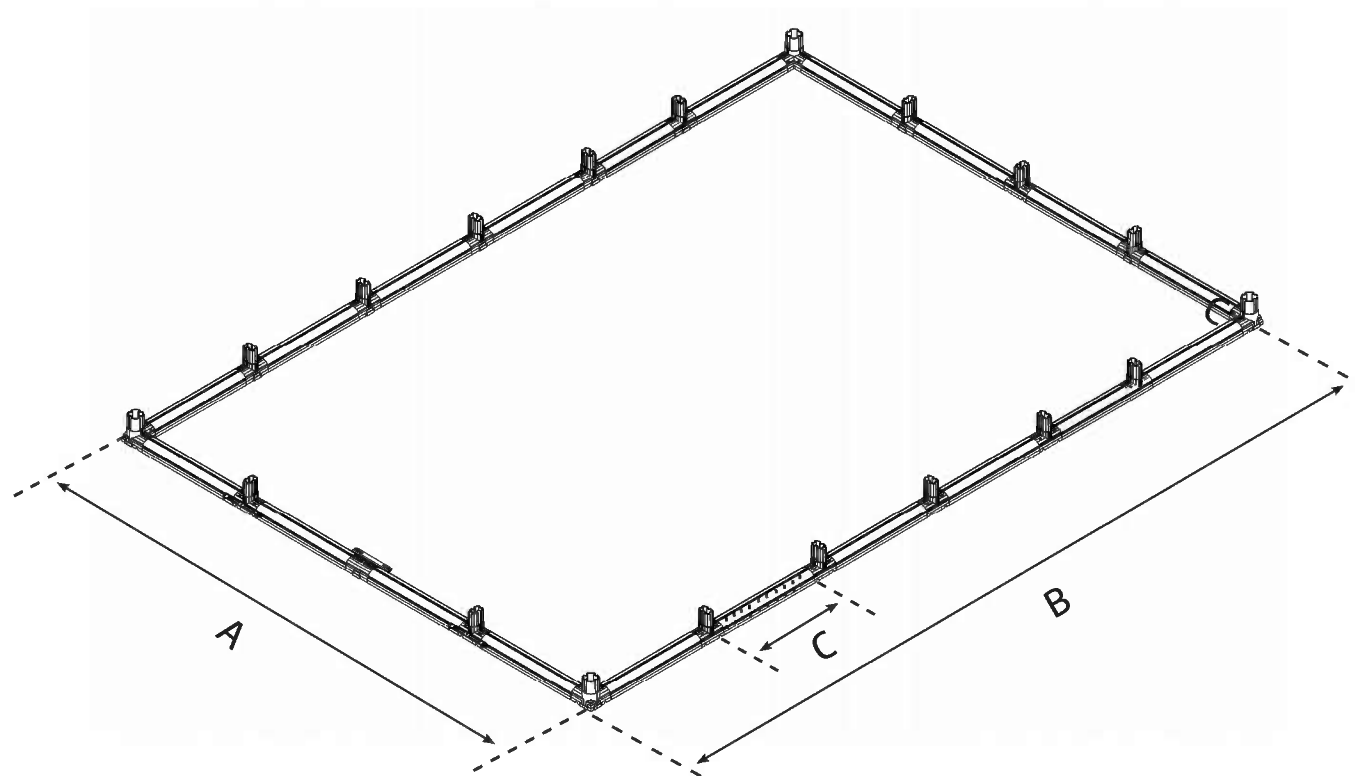




BASE DIMENSIONS HOBBY GARDENER SERIES



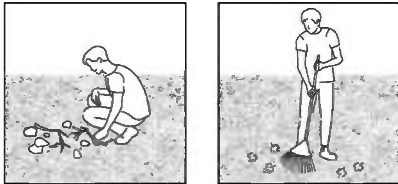
MODELS	WIDTH		LENGTH		EXTENSION MODULE	
8x8 / 2.7x2.7	A	260 cm / 6'12"	B	261 cm / 5'11"	C	-
8x12 / 2.7x4				386 cm / 8'		125 cm / 4'11" (x2)
8x16 / 2.7x5				511 cm / 10'1"		125 cm / 4'11" (x4)
8x20 / 2.7x6.4				636 cm / 12'1"		125 cm / 4'11" (x6)

SITE PREPARATION & FOUNDATION

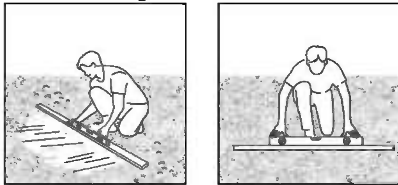
A - PREPARE THE SITE

The product must be built on a **solid and leveled** surface in order to perform properly.

1 - Clear the site



2 - Level the ground



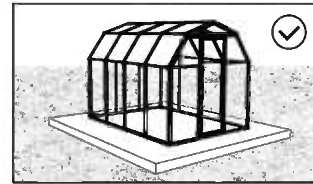
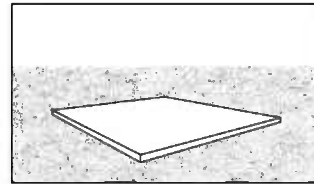
IMPORTANT

We recommend checking for restrictions or covenants for building this product in your area. In addition we advise to check if you need to submit any forms or if any permit is required prior to building the product.

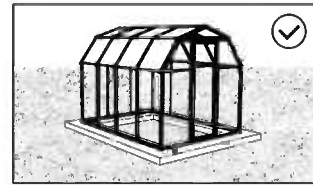
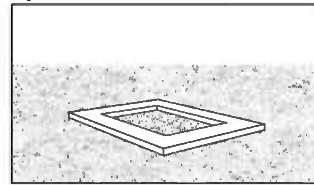
B - CHOOSE YOUR FOUNDATION TYPE

For a base, we recommend using three material types :
Concrete | Pressure treated wood / wood deck | Paver blocks

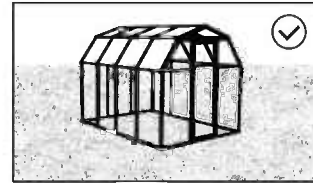
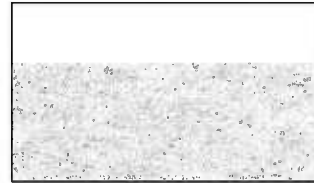
Option 1: Solid base



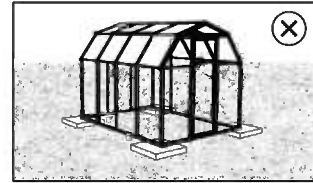
Option 2: Solid frame



Option 3: Firm ground / grass

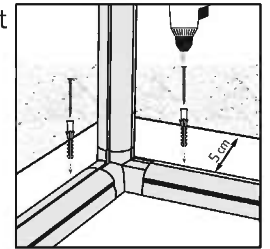


* The size of the greenhouse displayed is for illustration purposes only and may not reflect the size of your greenhouse.

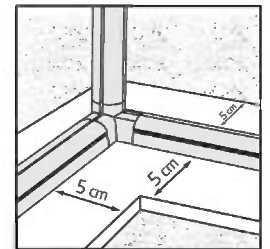


C - ANCHOR TO FOUNDATION

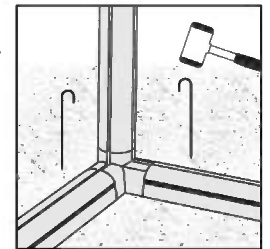
On a solid base, secure the product to the foundation of your choice, using suitable screws & plugs or masonry anchors (not supplied).



On a solid frame, make sure you have at least 5 cm | 2" between the product frame and the edges of your foundation - **on all sides**.



On soil / grass, secure the product to the ground surface using suitable long pegs (not supplied).



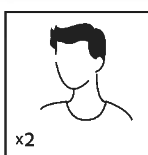
SAFETY ADVICE

- It is of utmost importance to assemble all of the parts according to the directions. Do not skip any steps.
- We strongly recommend using work gloves during panel sliding.
- Always wear shoes and safety goggles when working with extruded aluminium.
- If using a step ladder or power tools make sure that you follow the manufacturer's safety advice.
- Do not touch overhead power cables with the aluminium profiles.
- Do not attempt to assemble the product in windy or wet conditions.
- Dispose of all plastic bags. Keep them out of reach of small children.
- Keep children away from the assembly area.
- Do not lean against or push the products during construction.
- Do not position your product in an area exposed to excessive winds.
- Do not attempt to assemble this product if you are tired, have taken drugs or alcohol or if you are prone to dizzy spells.
- Hot items such as recently used grills, blowtorches etc. must not be stored in the product.
- Make sure there are no hidden pipes or cables in the ground before inserting the pegs.
- This product is designed to be used mainly as a greenhouse.
- **Please Note:** We strongly recommend anchoring the product directly to a solid foundation to increase the product's stability and wind resistance in areas with severe weather conditions. Make sure that there are no obstructions between the assembly area and the final position of the product. The Palram - Canopia Anchoring kit is available for purchase separately.

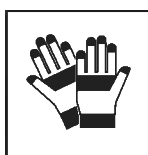
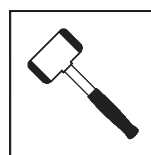
CARE & MAINTENANCE

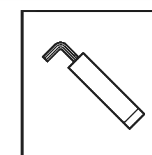
- When your product needs to be cleaned, use a mild detergent solution and rinse with cold clean water.
- DO NOT use acetone, abrasive cleaners or other special detergents to clean the panels.
- Clean the product once assembly is complete.

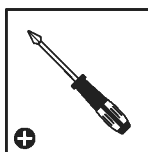
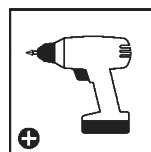
TOOLS & EQUIPMENT

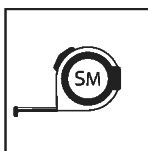
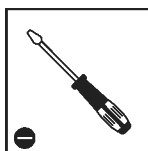

 2 people needed

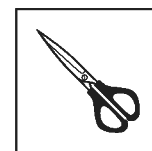
x2


 Work gloves

 Rubber Mallet

 Wrench
10 mm | 13/32"

 GT1 (Supplied)

 Ladder

 Phillips head
Screwdriver

 Cordless drill
Phillips head

 Wrench
7 mm | 1/4"

 Tape measure

 Flat Head
Screwdriver

 Needle Nose
Pliers

 Scissors

BEFORE ASSEMBLY

1. Selecting a site:
 - The product must be positioned and fixed on a flat level surface.
 - Choose a sunny position away from overhanging trees.
2. We strongly recommend this product to be secured directly to a solid foundation.
3. This is a multi-part assembly best achieved by two people. Allow at least half a day for the assembly process.
4. Take all components & parts out of the packages. Sort the parts and check against the content parts list.
5. Parts should be laid out close at hand. Keep all small parts (screws etc.) in a bowl so they do not get lost.
6. Please note multi-sided profiles are used in this greenhouse. As a result some holes in the profiles are not used during assembly.
7. Please review entire instructions before starting. Carry out the assembly steps in exact order.
8. Please consult your local authorities if any permits are required prior to constructing the product.
9. The drawings in this manual are designed for 8' x 8' product.

DURING ASSEMBLY

- Make sure the base is square by measuring the diagonals and level by using a spirit level.
- You may use silicone lubricant spray on the frame in order to help you slide the panels into the profiles.
- Do not spray the Polycarbonate panels.
- Use a rubber mallet if necessary.



- During assembly you will encounter the information icon, please refer to the relevant assembly step for additional comments and assistance.



- This icon indicates that the installer should be inside the product.



- All panels with the stamped words "THIS SIDE OUT" must be facing out to create full UV protection. Remove plastic sticker as panels are locked in place.

IMPORTANT RECOMMENDATIONS

- Firmly connect the product to a level surface immediately after completion of the assembly.
- Anchoring this product to the ground is essential to its stability and rigidity. It is required to complete this stage in order for your warranty to be valid.

- During assembly use a soft surface below the parts to avoid scratches and damages.
- Tighten all screws once assembly is completed.



IMPORTANT ASSEMBLY STEPS

When encountering this information icon during assembly, please refer to the relevant assembly step for important additional comments.

Steps 2 - 5:

Arrange all 2D connectors with the stamped word OUT facing the outside of the greenhouse.

Step 6:

Make sure that the frame is perfectly rectilinear by measuring the diagonals and verifying that they are the same.

Make sure that the frame is level and anchor it with screw / screw + dibble / spike (not included) according to the selected surface.

Step 12:

Walls assembly must be made gradually (1.panel 2.profile 3.connector) according to describe method in **steps 9**.

Step 35:

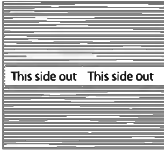
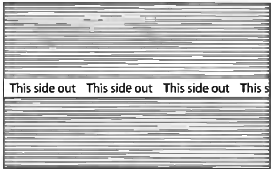
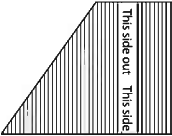
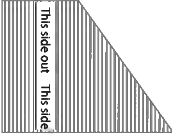
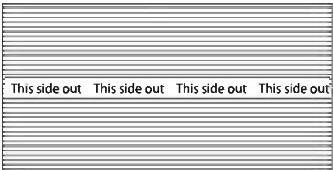
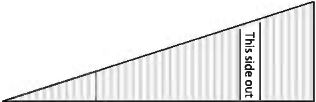
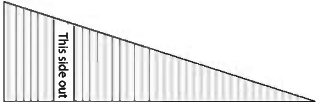
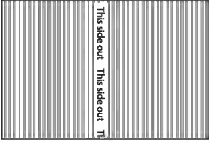
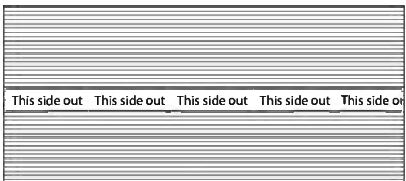
Screw #411 is to be used for handle part #99 only.

Step 63:

If the window doesn't close properly, please release the screws, adjust the profile and re-tighten the screws.

Contents



Item		Front	Back	Middle
PN2A		2	2	4
PN40A		2	2	3
PN73L		1	1	
PN73R		1	1	
7539		4	6	4
7538		1	1	
7537		1	1	
7541		2		
7542		2		





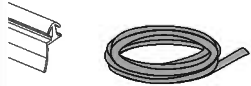

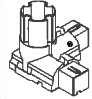
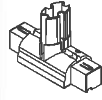
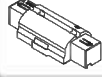
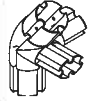
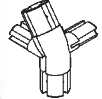
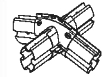
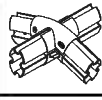
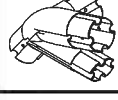
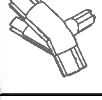
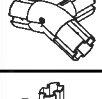
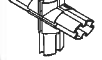
Contents



Item		Front	Back	Middle
PN61			2	
586				1
7540				1
D1		1	1	
D2			1	2
72		2	2	
73		2	2	
74			4	8
7446		2	2	
7548		2	2	
7549			2	4
7551			2	4
7556		2	4	4
7554		2	4	4
ST107		2	2	
SF				1

Contents



Item		Front	Back	Middle
RC3		1	1	2
7552		4	4	8
RA1		1	1	2
GSC10			2	
DSN		1		
pin1		160	220	120
01		2	2	
2D		2	5	4
15		1		
53		1	1	
75		1	1	
5A			1	2
51			4	8
76		1	1	
71		1	1	
8A		1	1	
10			3	

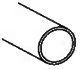
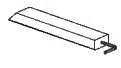
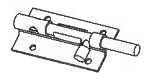
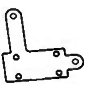

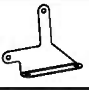




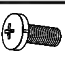





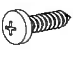





Contents



Item		Front	Back	Middle
09		7	3	
18		8		
8713		1		
B2		6	6	4
R1		2	2	
R2		2	2	
R8		2	2	
E1		6	5	4
E2		7	13	14
E4		2	3	
E5		2	2	
E6			2	4
E12		1		
E101		4		
E103		6		






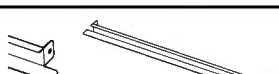
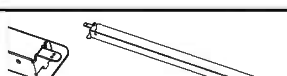



Contents



Item		Front	Back	Middle
SR1		2		
GT1		1	1	
7223		2		
7218		2		
7216		2		
7215		2		
7217		6		
7273		1		
7272		1		
7224		22		
4016		4		
466		22		2
7279		5		
425		4		
423		8		
7222		8		
7281		4		
4043		6	12	12
AS70			2	4
AW5			1	
Hook1			1	2
CAB40			1	2

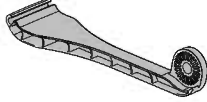
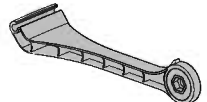

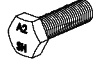



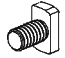


Contents



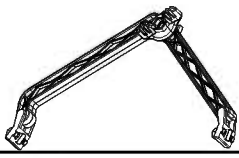


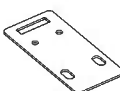


Item		Front	Back	Middle
989				1
991				1
992				2
7533				1
7534				1
7535				1
7536				1
4008				4
465	 M4x8mm			4
422	 M4			4

Contents



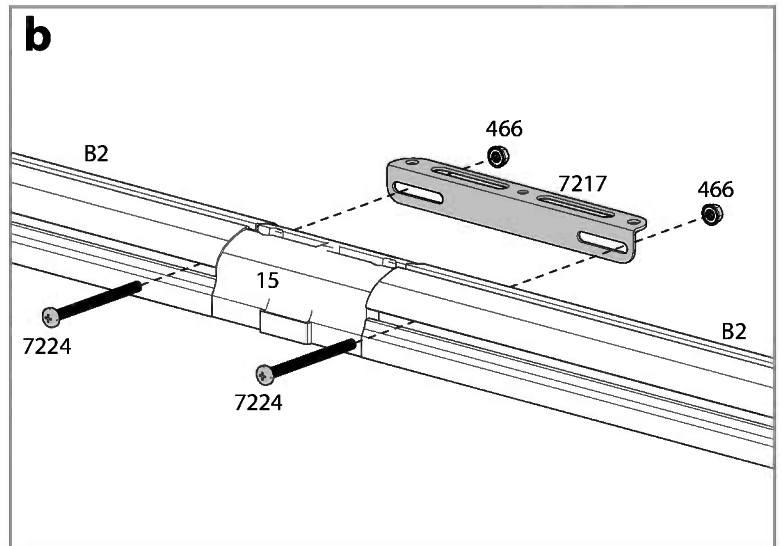
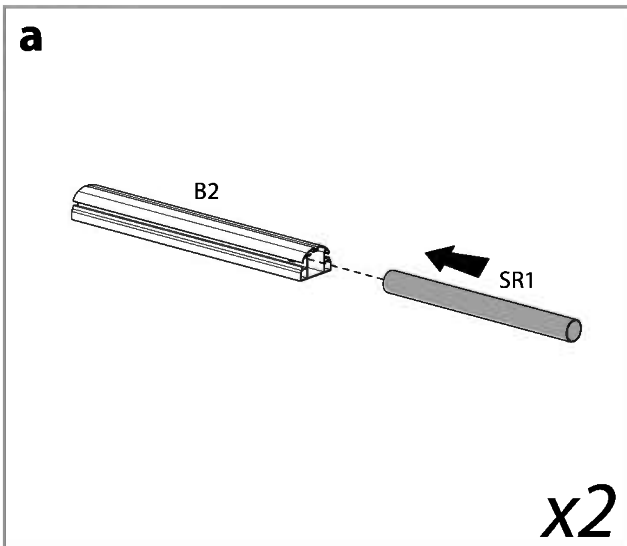
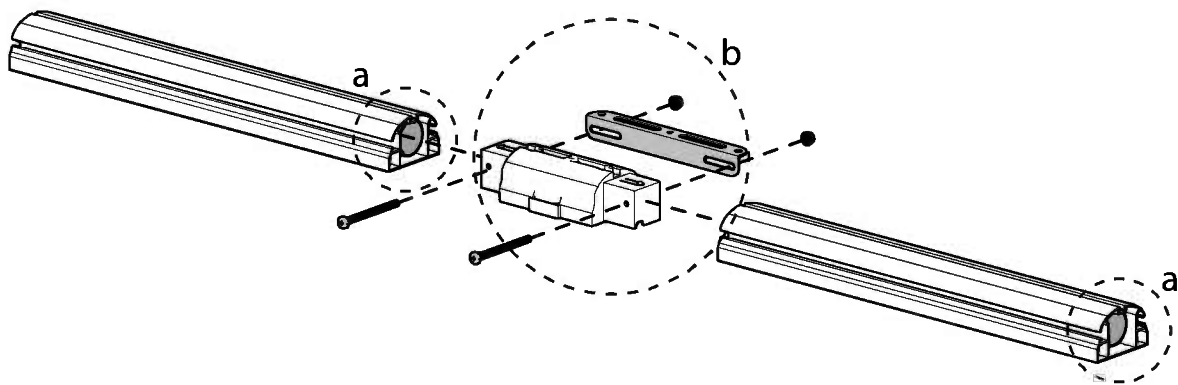
Item		Front	Back	Middle
8797				1
8798				1
8801				1
410				1
412				1
8799				1
8800				1
461				2
466				2
7441				1

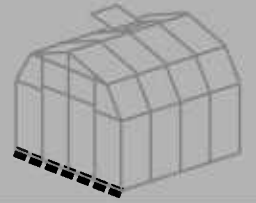
OR

99				1
22				1
7441				1
7220				1
466				2
411				2

1

item		Qty.
B2		2
SR1		2
15		1
7217		1
466		2
7224		2



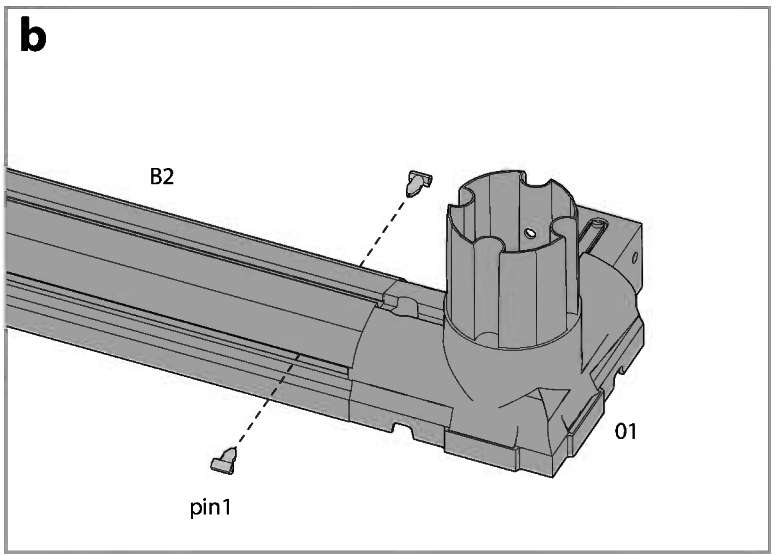
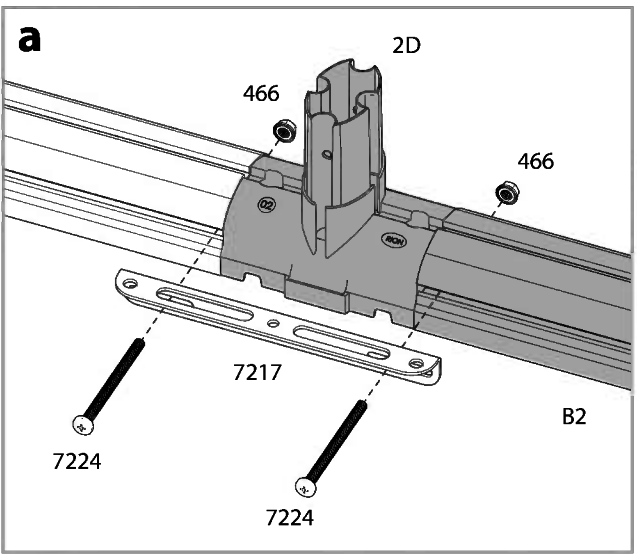
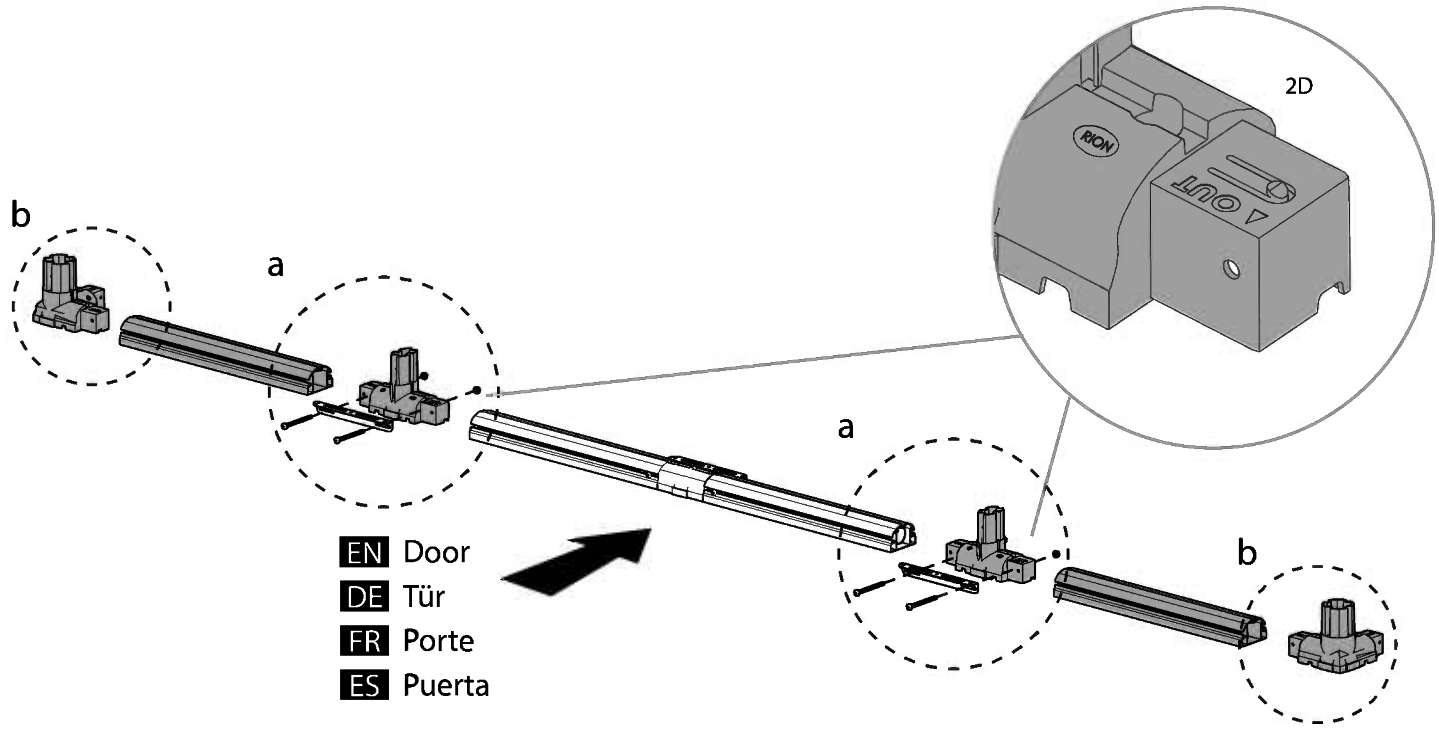
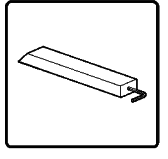
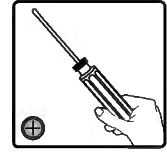


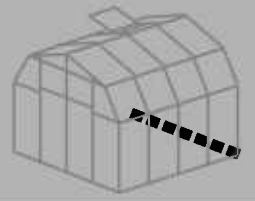
2



Arrange all 2D connectors with the stamped word OUT facing the outside of the greenhouse.

Item		Qty.	Item		Qty.
B2		2	7217		2
01		2	466		4
2D		2	7224		4
			pin1		4



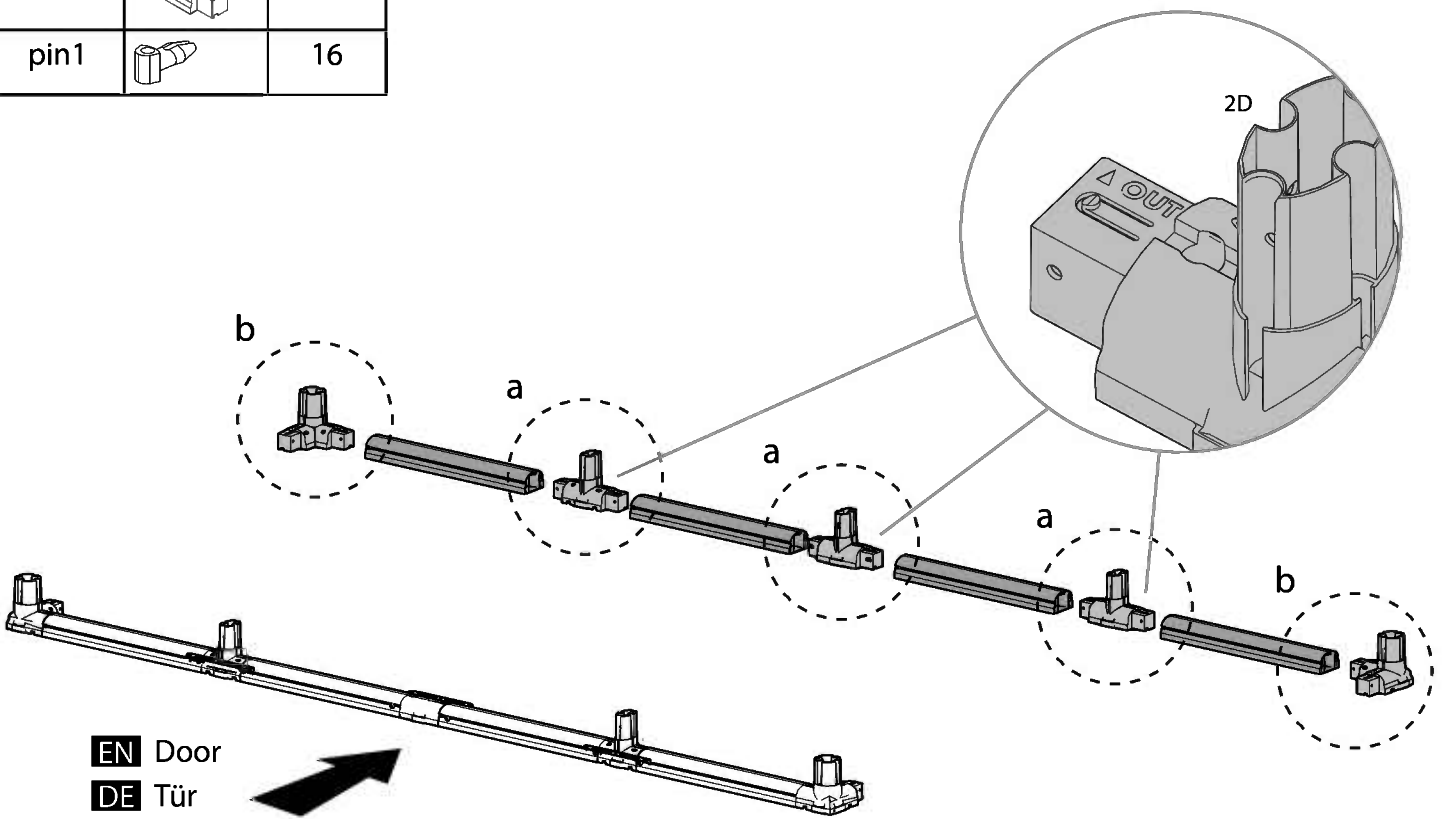
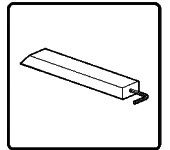


3

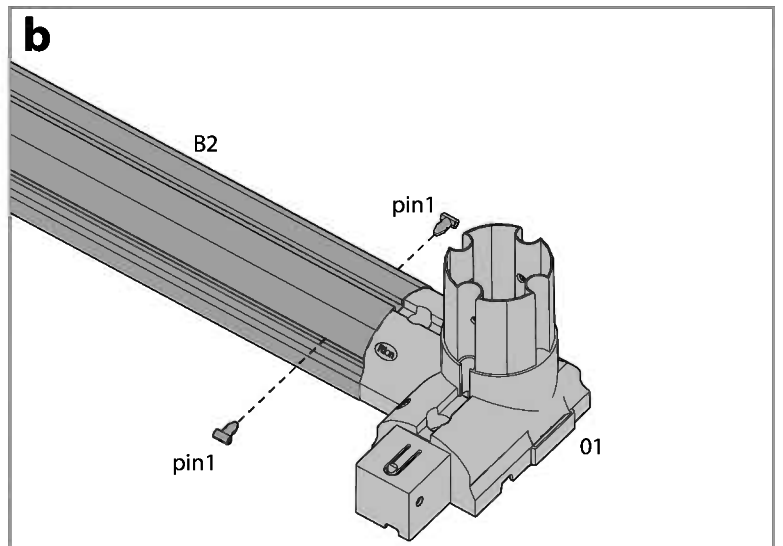
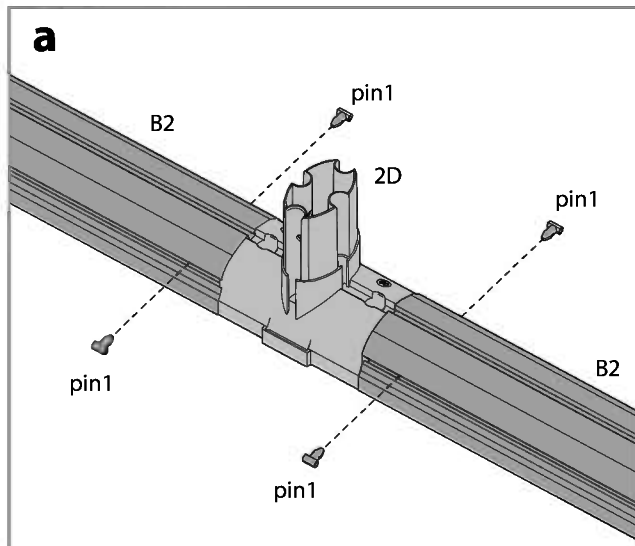


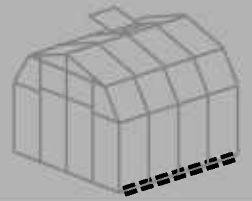
Arrange all 2D connectors with the stamped word OUT facing the outside of the greenhouse.

Item		Qty.
B2		4
01		2
2D		3
pin1		16



- EN** Door
- DE** Tür
- FR** Porte
- ES** Puerta





4

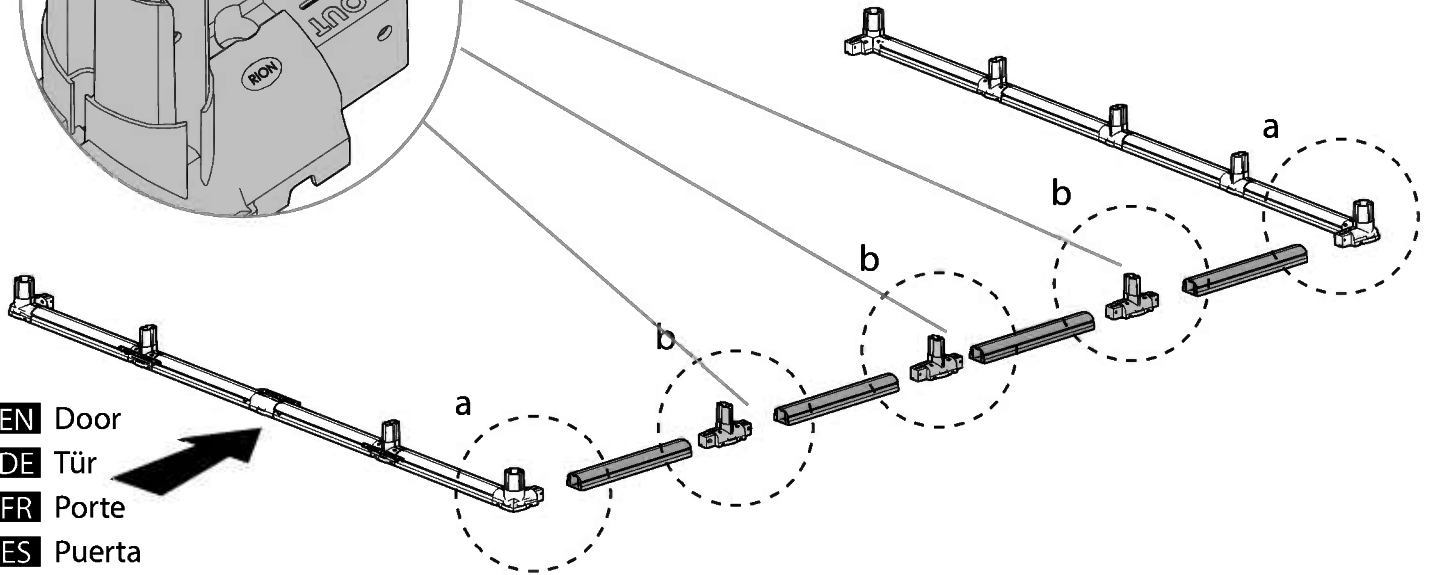
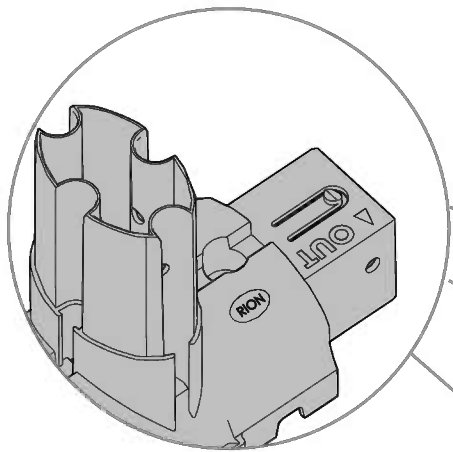
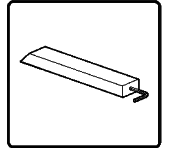


Arrange all 2D connectors with the stamped word OUT facing the outside of the greenhouse.

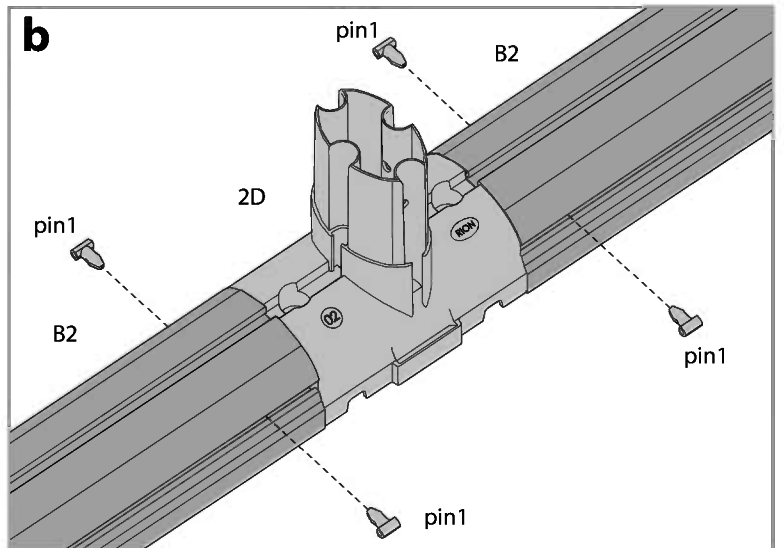
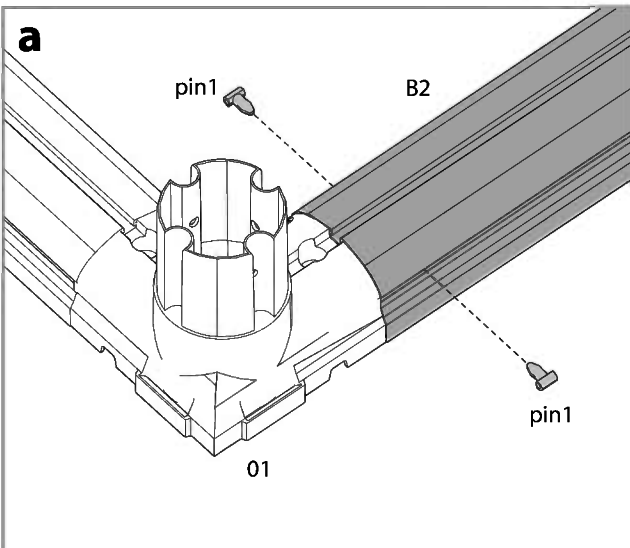
Item		Qty.
B2		4
2D		3
pin1		16

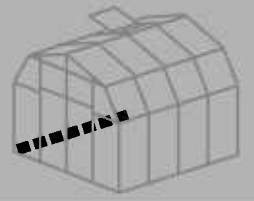


8'x8' = 4xB2
8'x12' = 6xB2



- EN** Door
- DE** Tür
- FR** Porte
- ES** Puerta





5

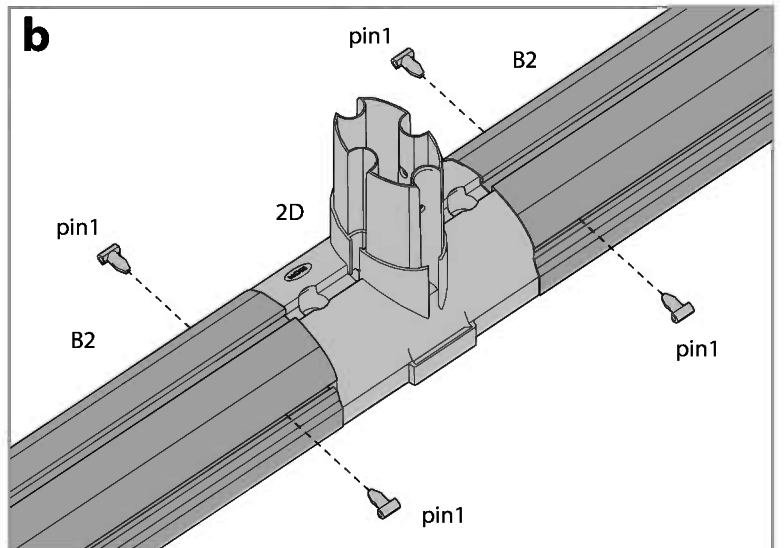
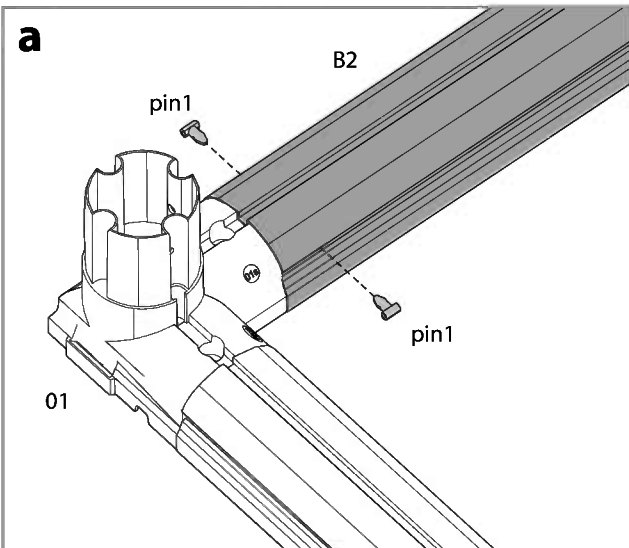
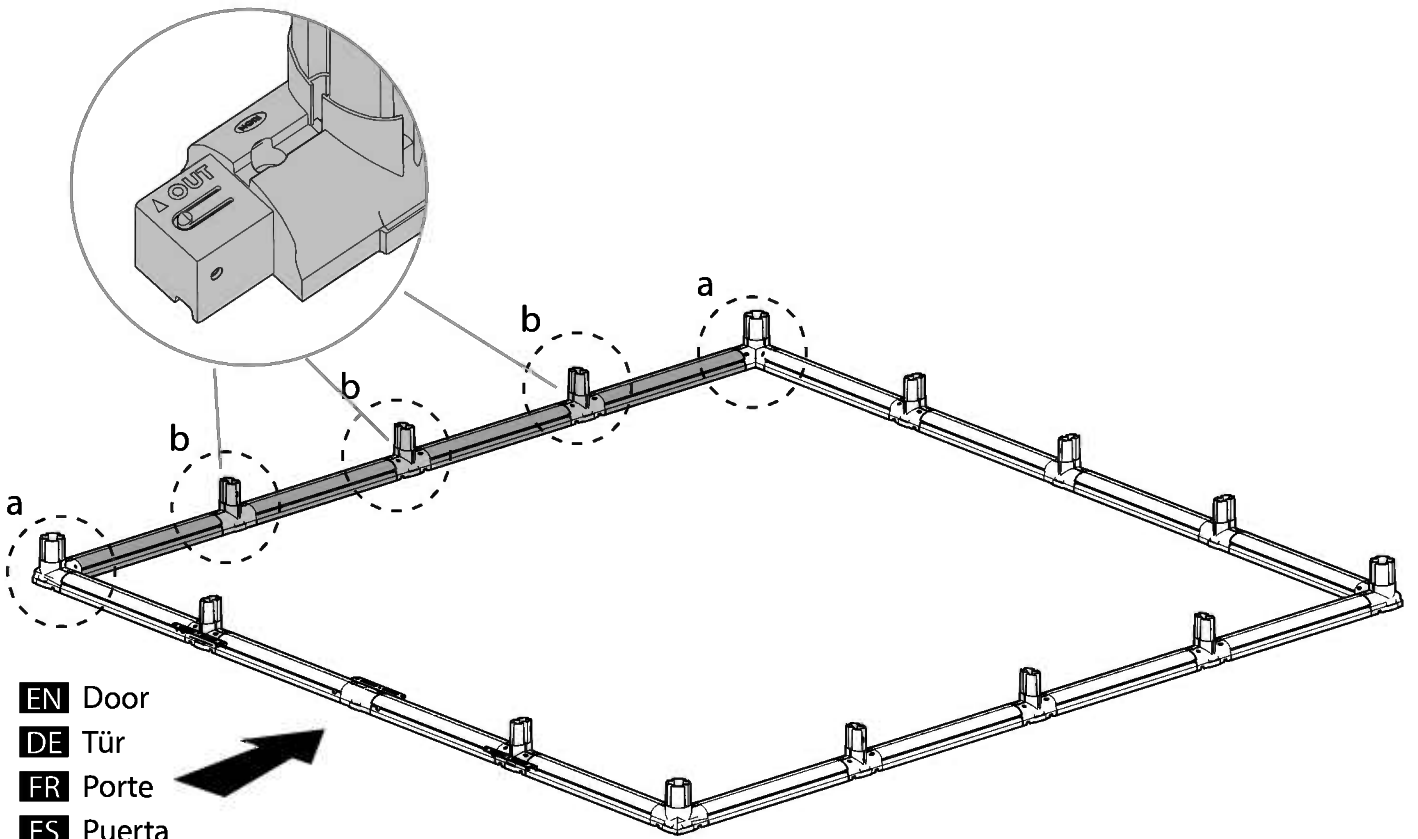
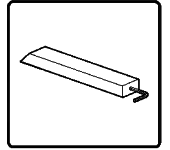


Arrange all 2D connectors with the stamped word OUT facing the outside of the greenhouse.

Item		Qty.
B2		4
2D		3
pin1		16



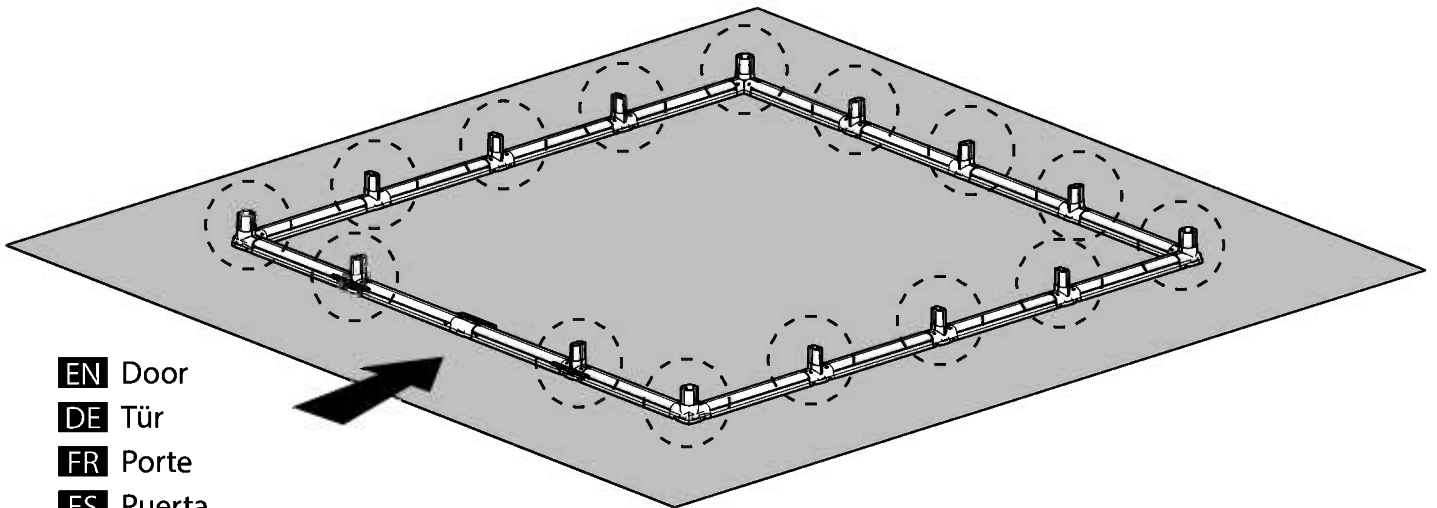
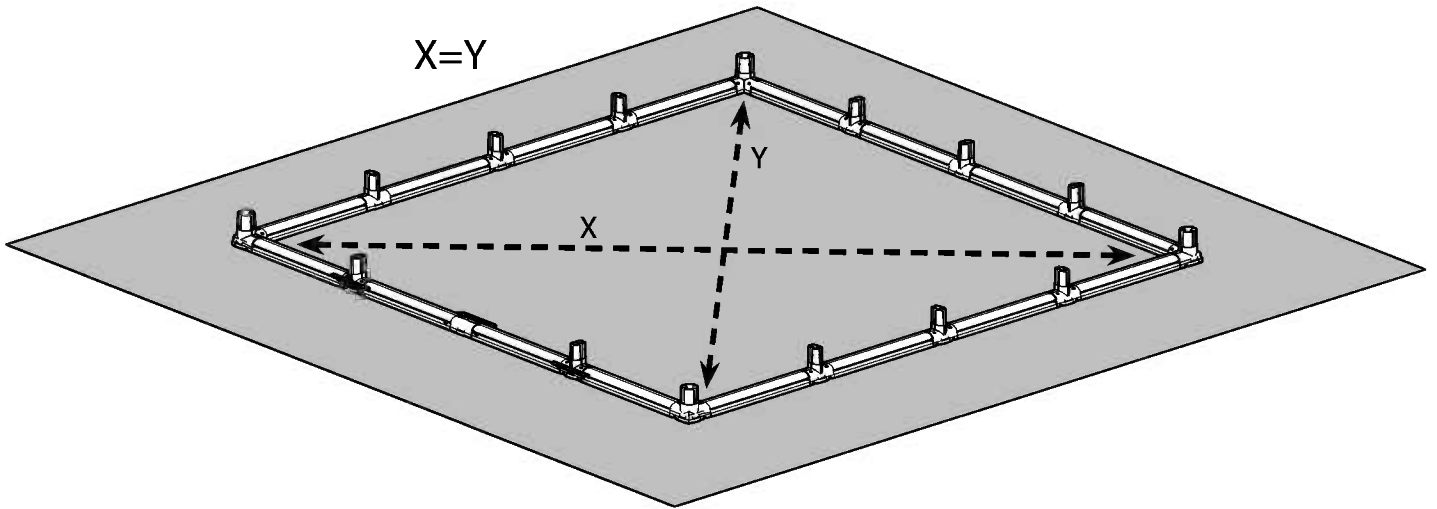
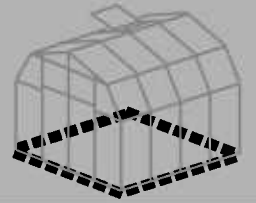
8'x8' = 4xB2
8'x12' = 6xB2



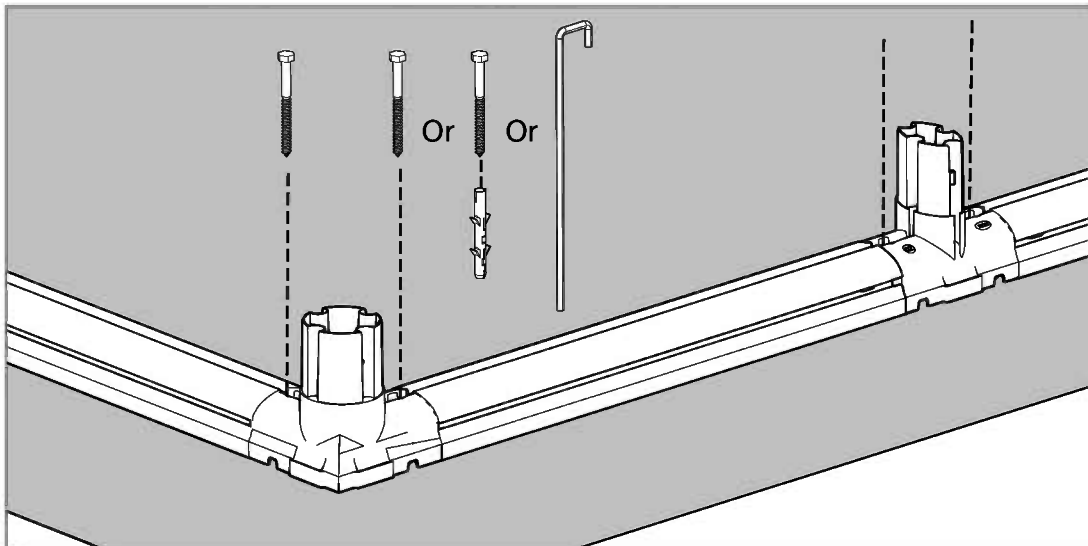
6

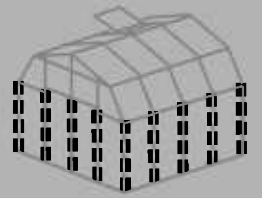


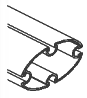
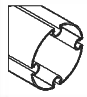
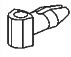
- Make sure that the frame is perfectly rectilinear by measuring the diagonals and verifying that they are the same.
- Make sure that the frame is level and anchor it with screw / screw + dibble / spike (not included) according to the selected surface.

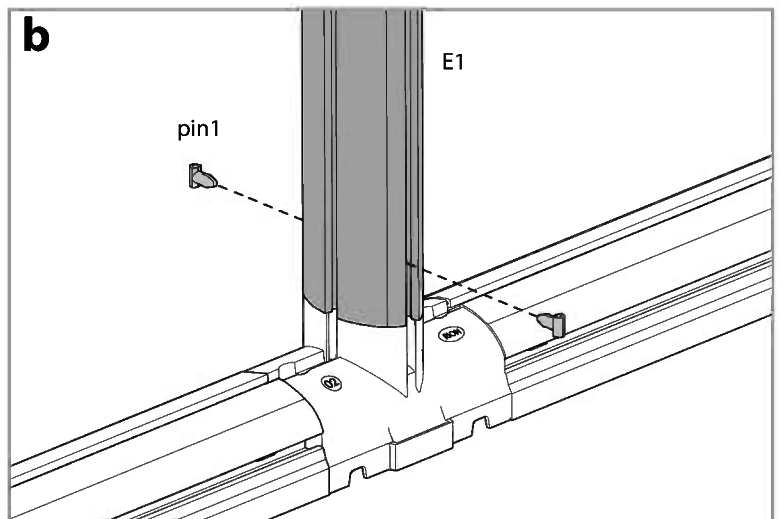
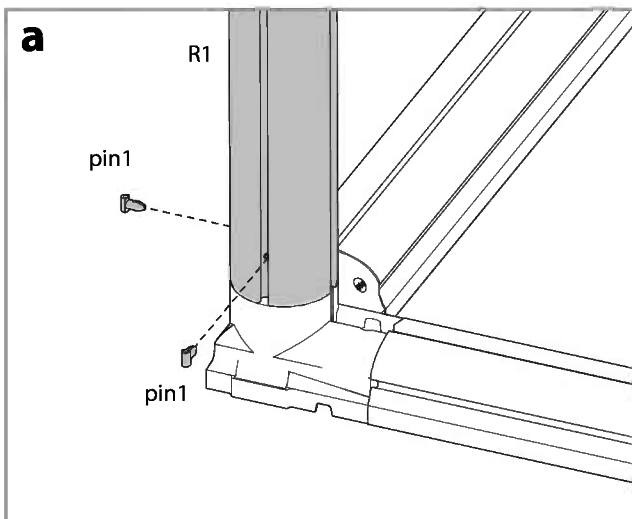
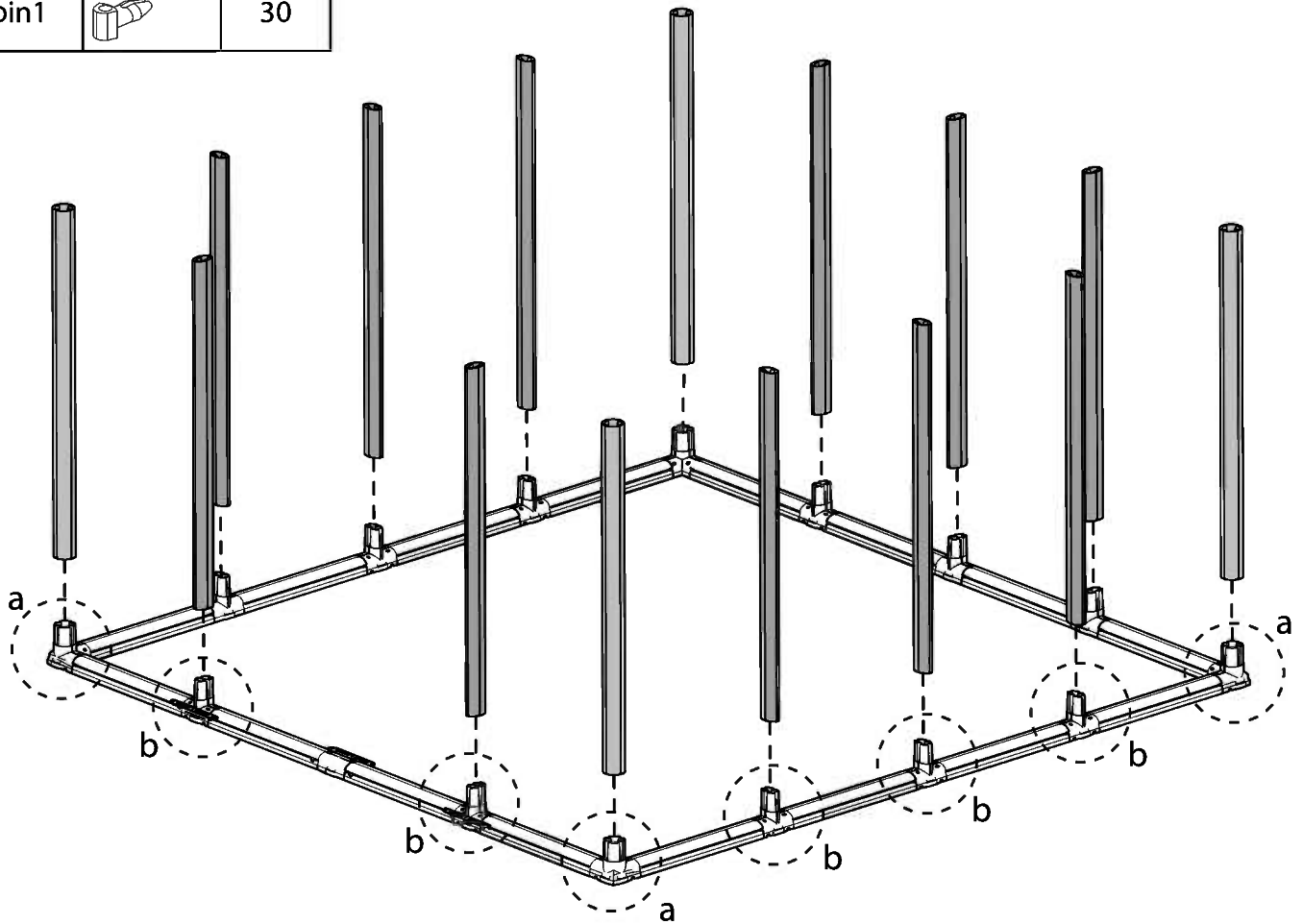
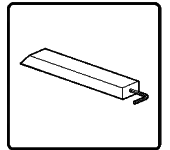


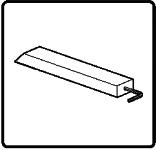
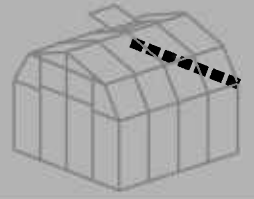
- EN** Door
- DE** Tür
- FR** Porte
- ES** Puerta



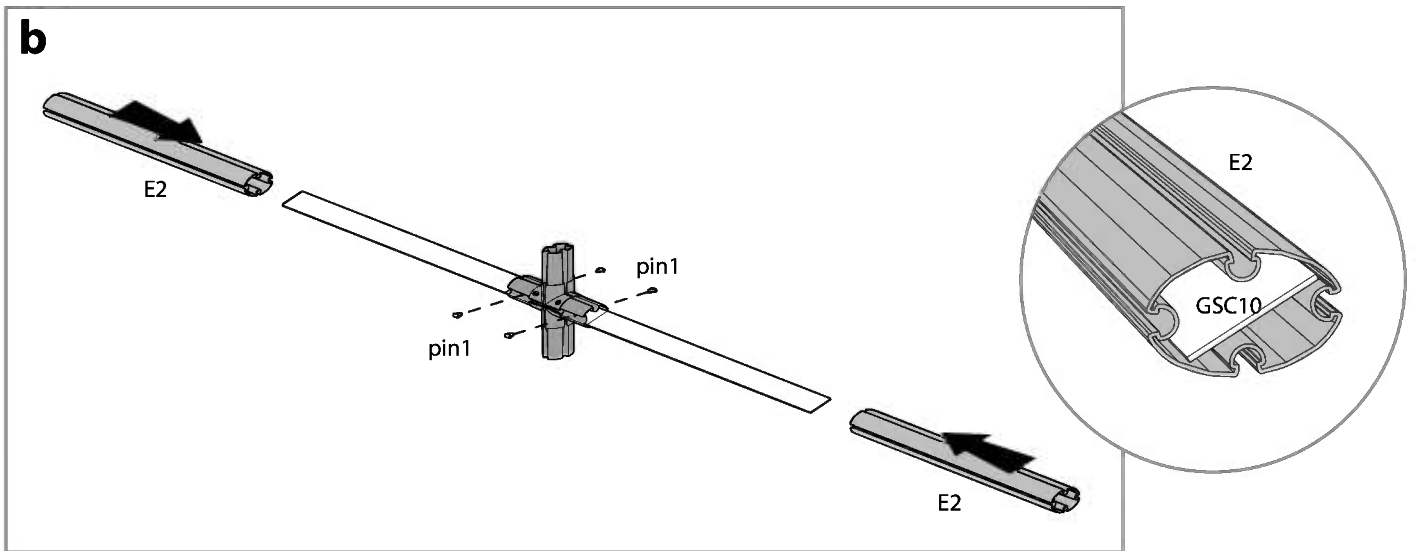
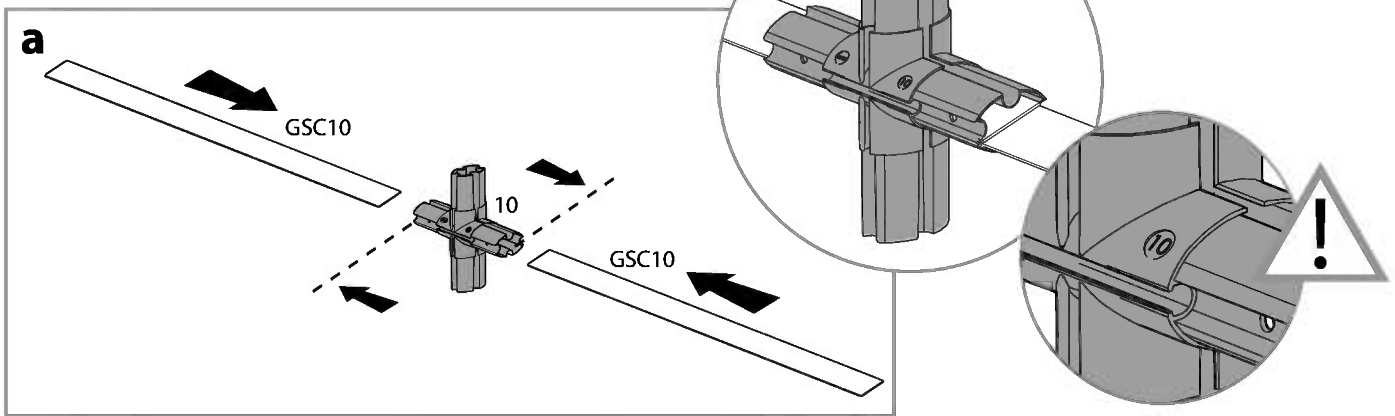
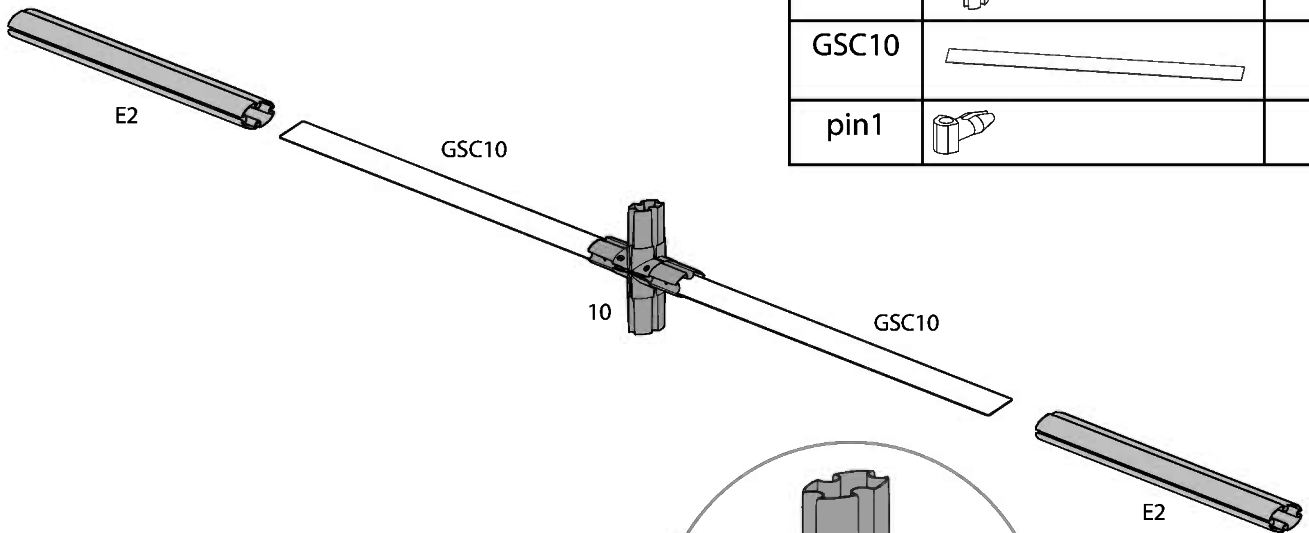


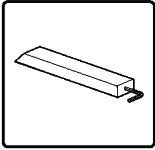
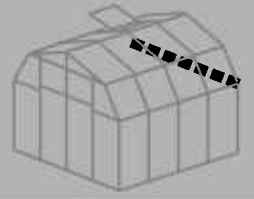
Item		Qty.
E1		11
R1		4
pin1		30



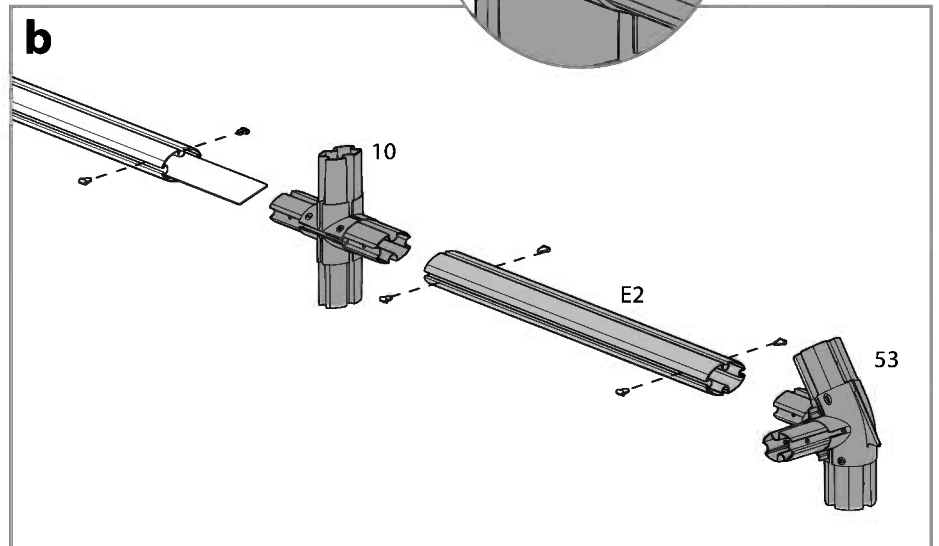
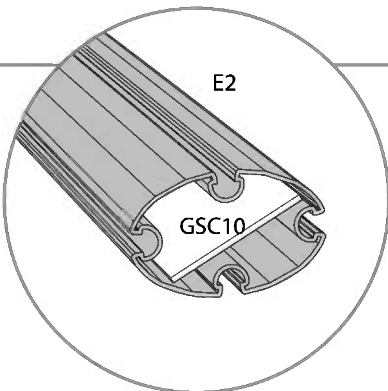
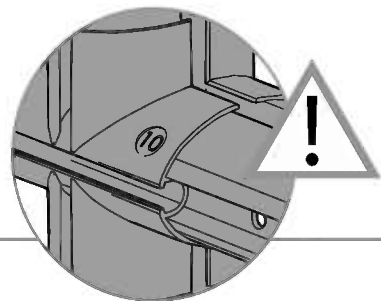
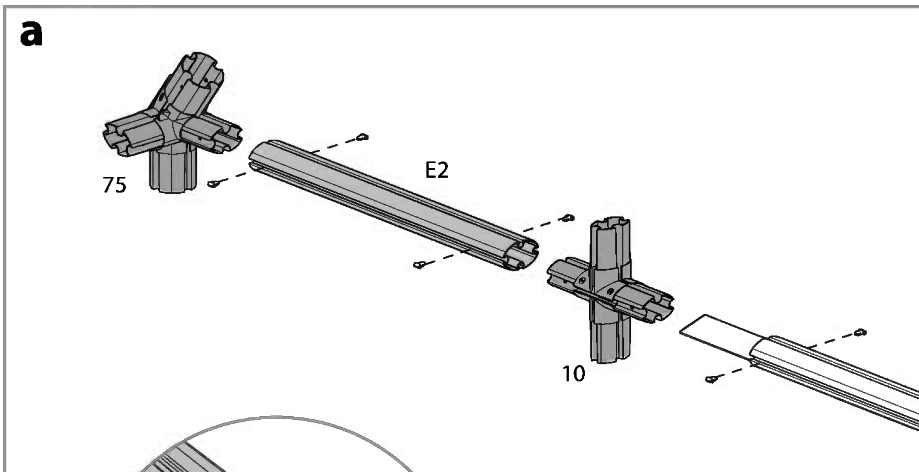
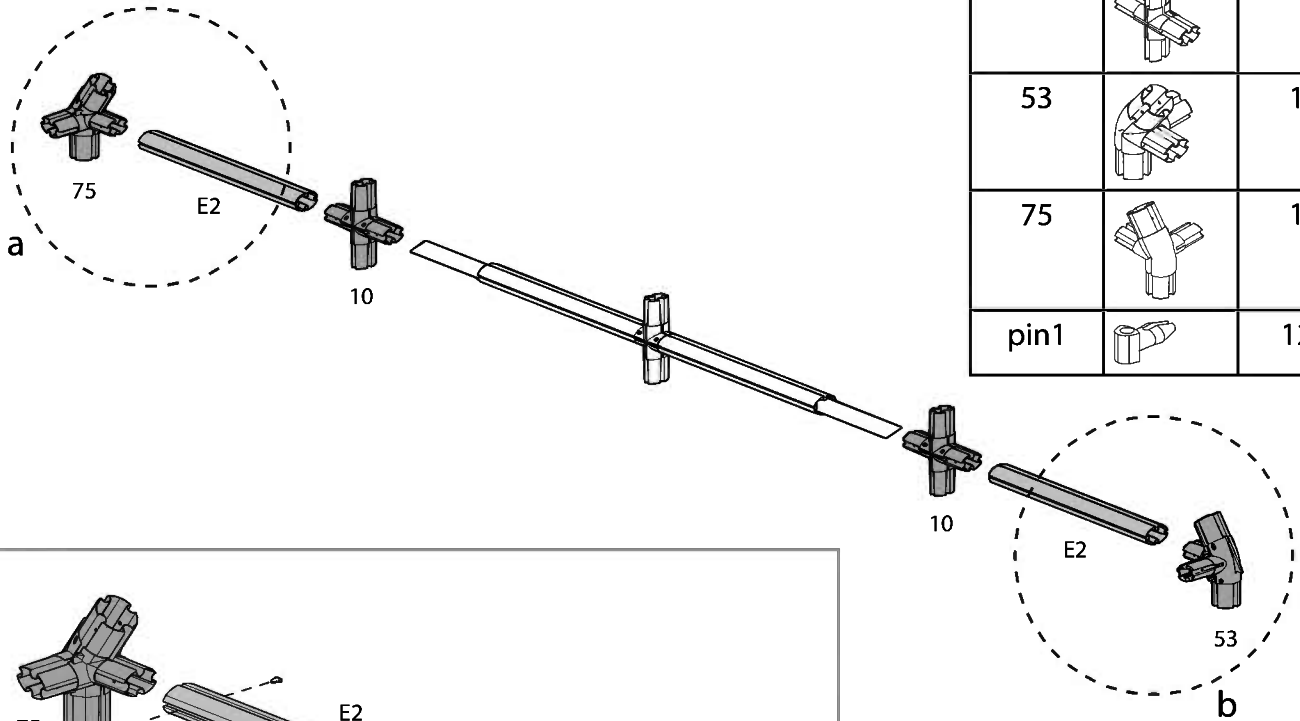


Item		Qty.
E2		2
10		1
GSC10		2
pin1		4



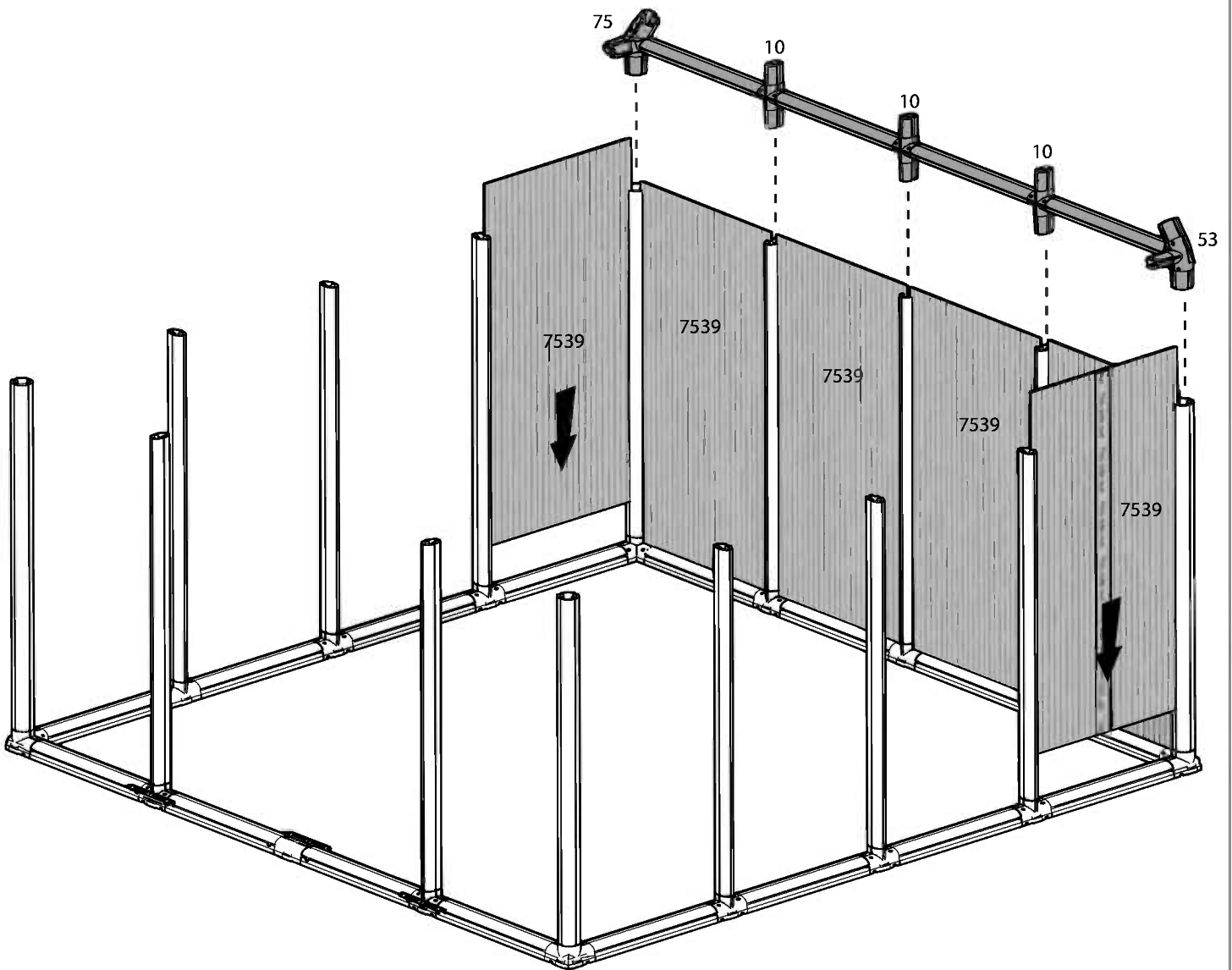
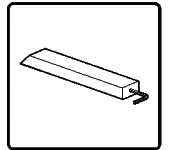


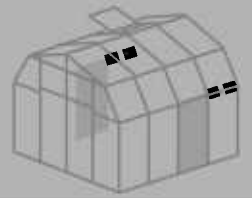
Item		Qty.
E2		2
10		2
53		1
75		1
pin1		12

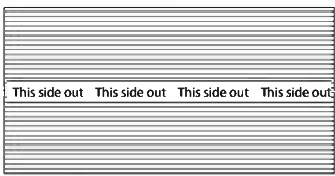
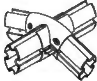




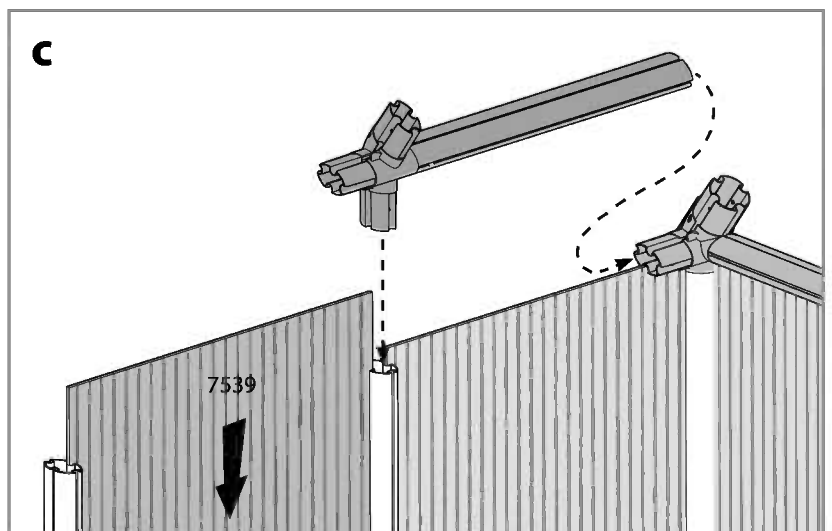
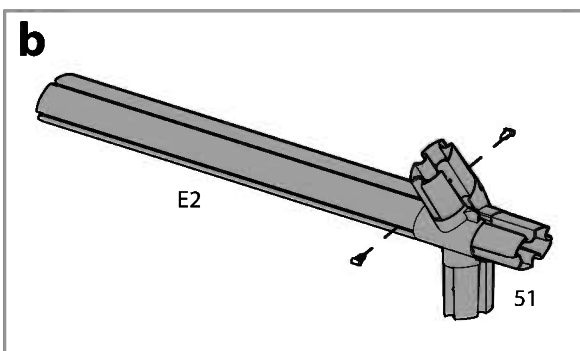
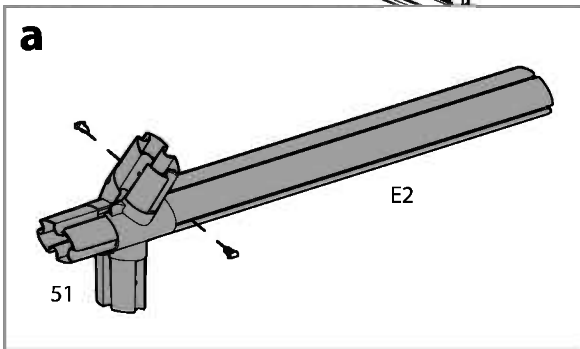
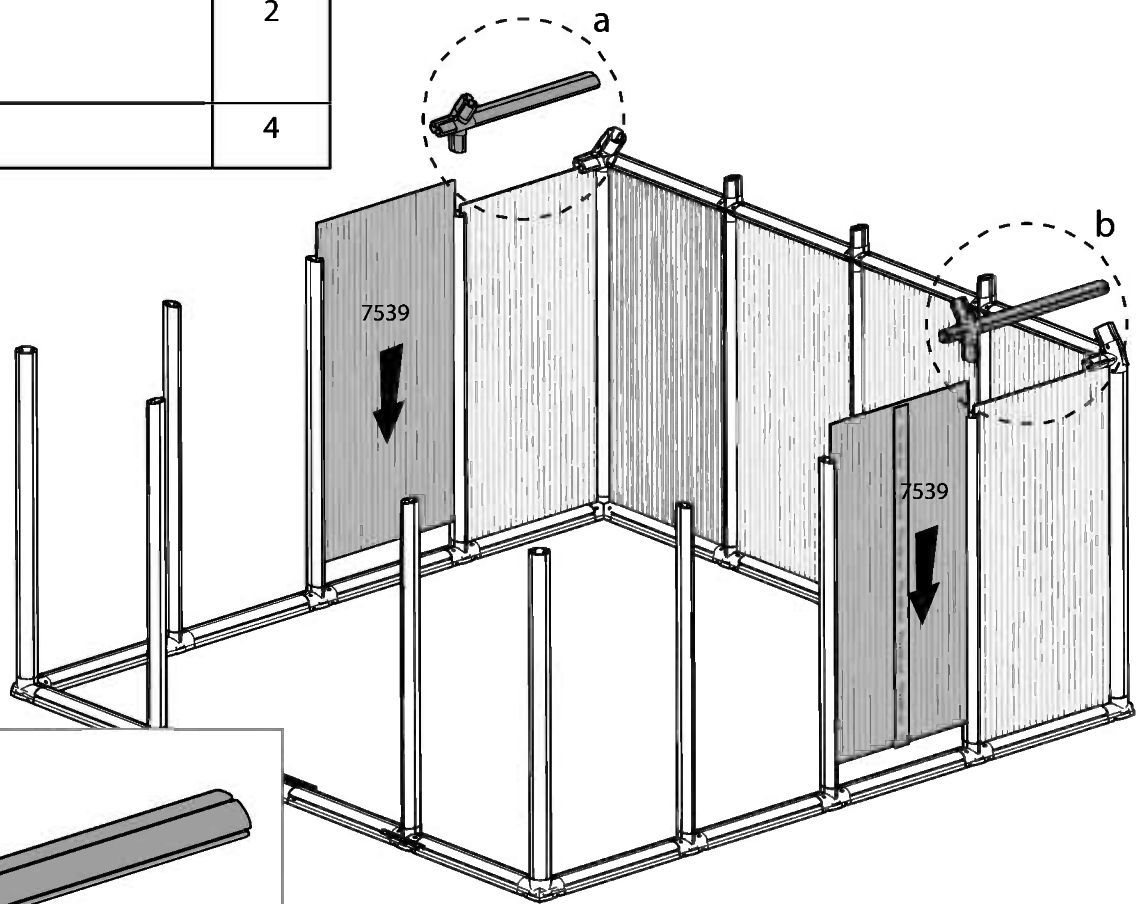
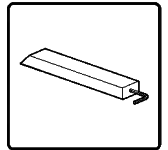


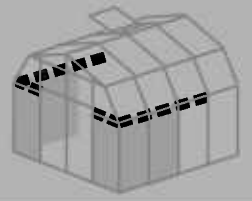
Item		Qty.
7539	<p>This side out This side out This side out This side out</p>	6




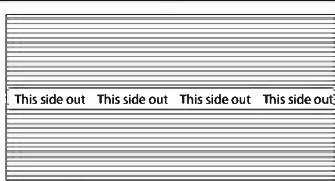
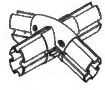
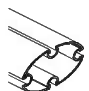


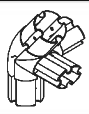
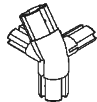
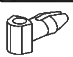
Item		Qty.
7539		2
51		2
E2		2
pin1		4

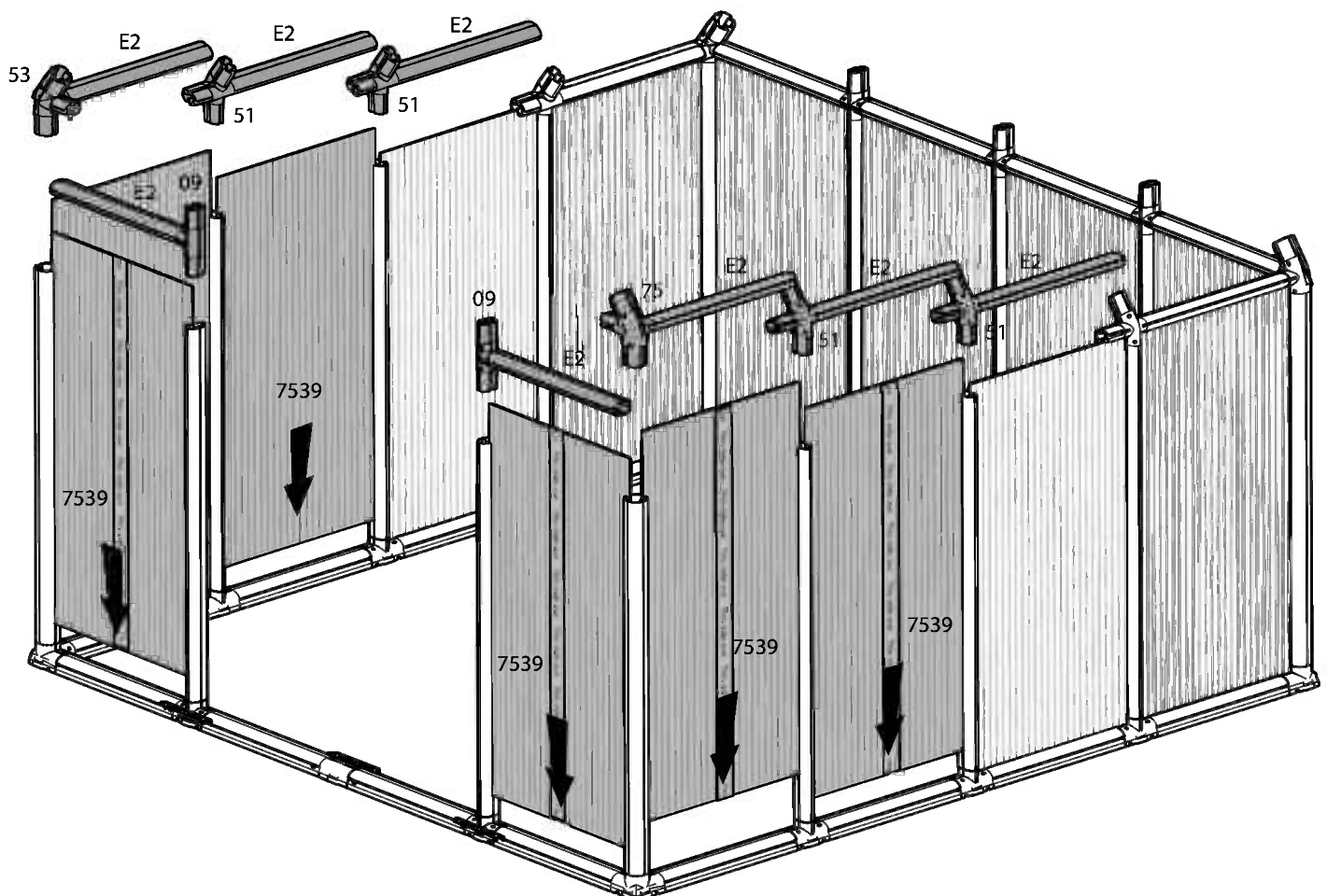
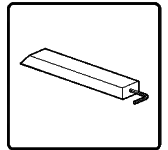




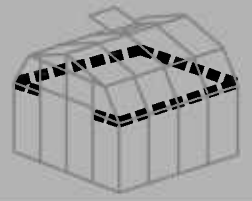
12  Walls assembly must be made gradually (1.panel 2.profile 3.connector) according to describe method in

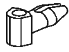
Item		Qty.
7539		6
51		4
E2		8

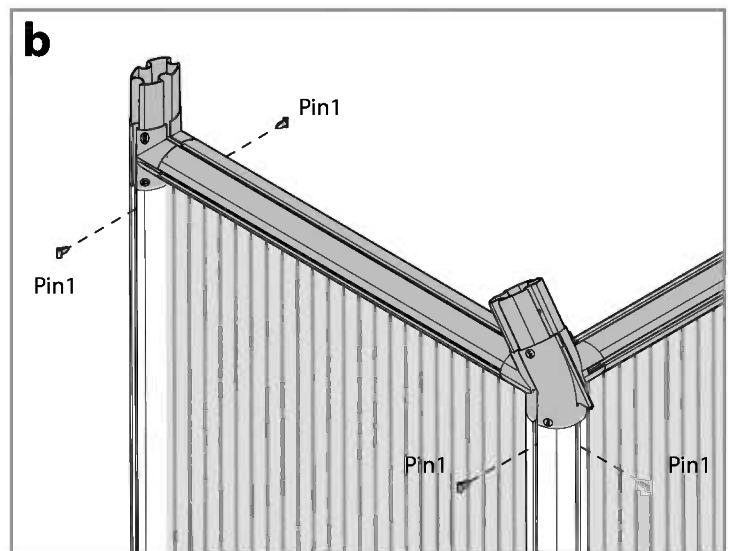
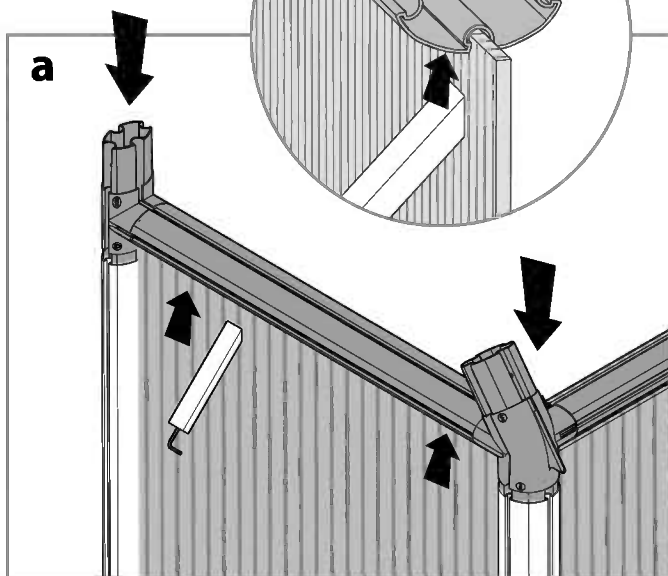
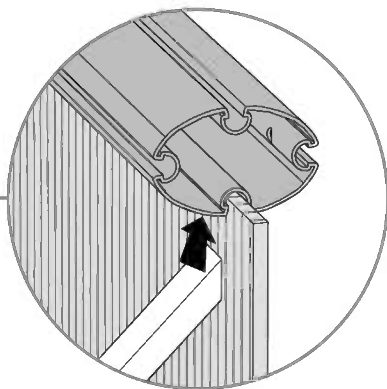
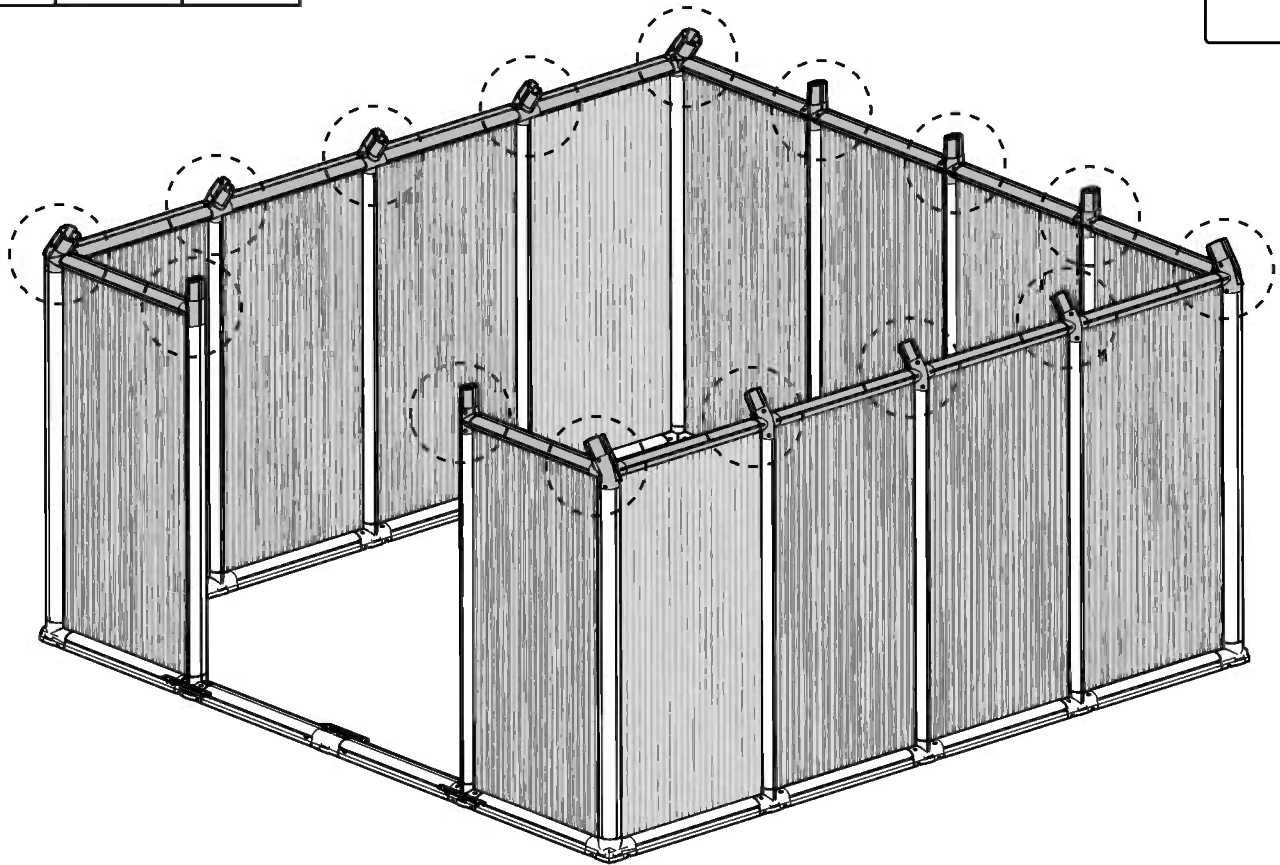
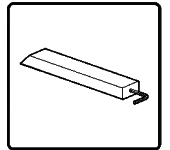
Item		Qty.
53		1
75		1
pin1		16




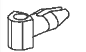
13

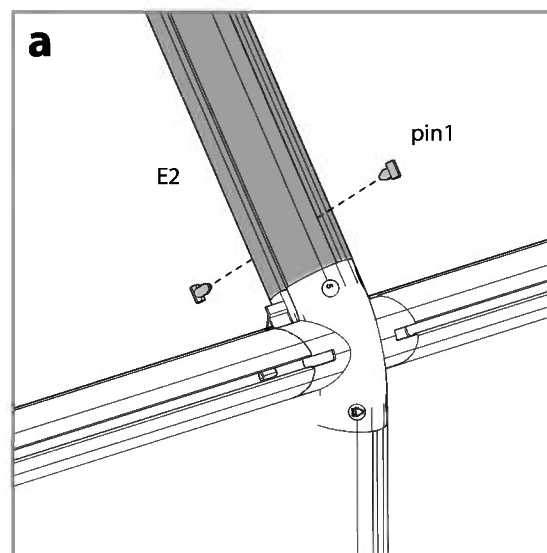
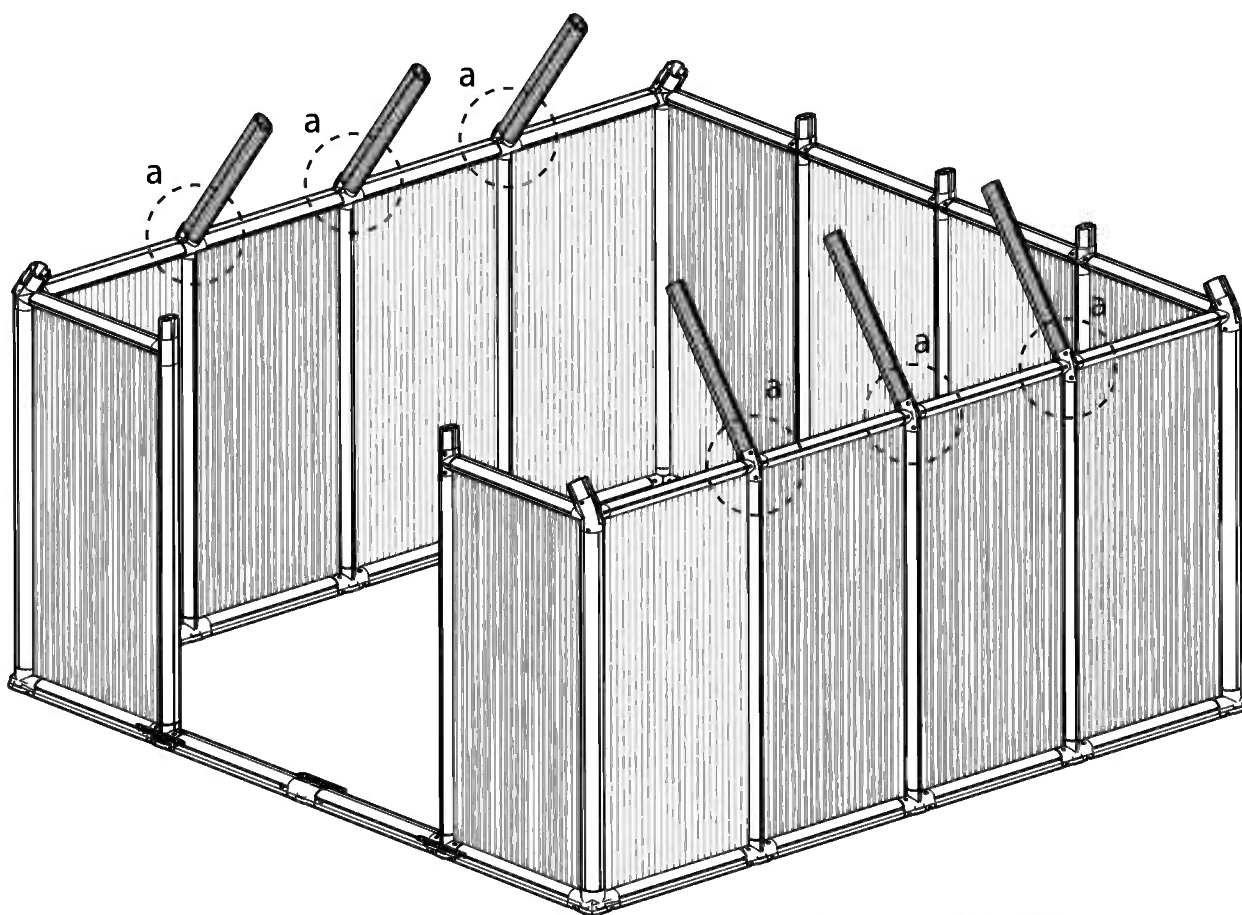
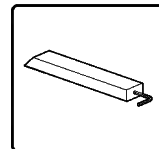


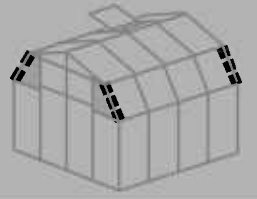
Item		Qty.
pin1		30

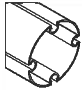
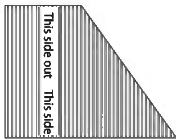
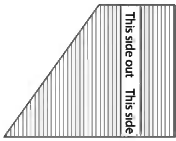
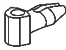


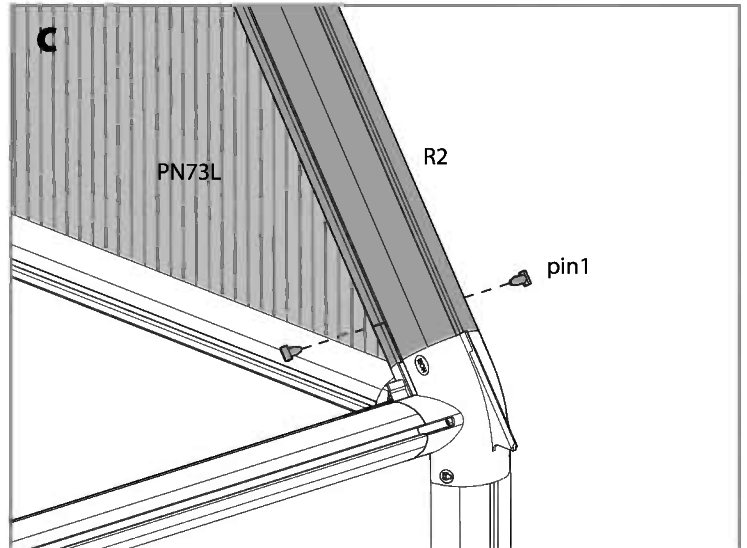
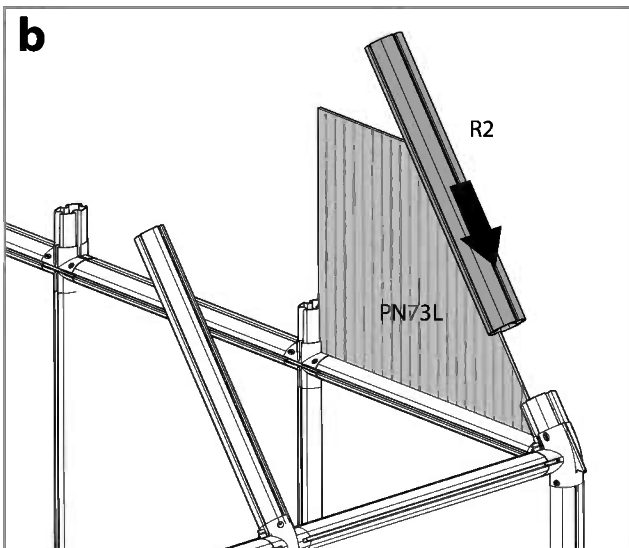
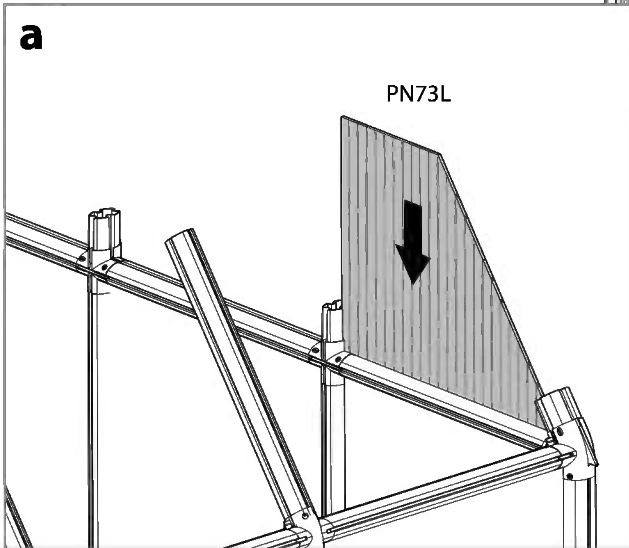
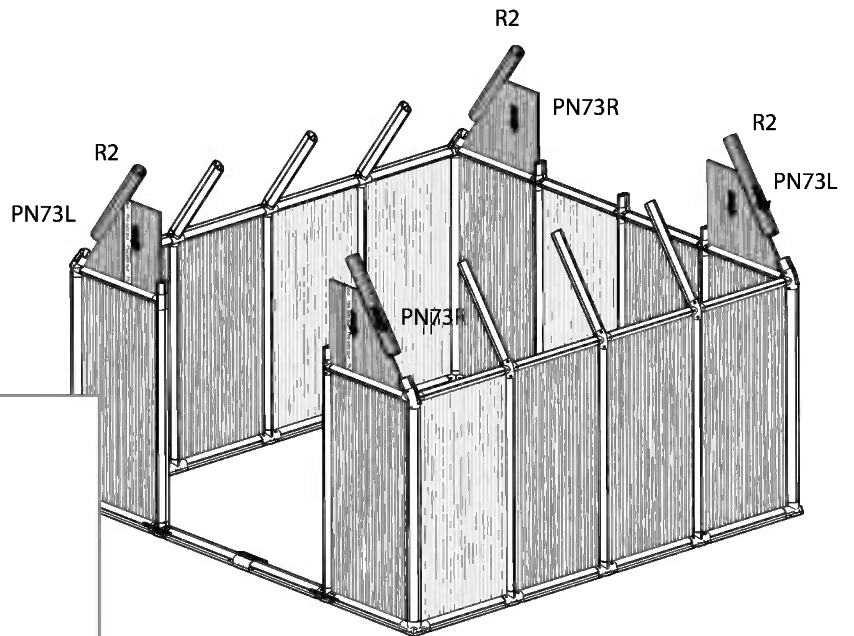
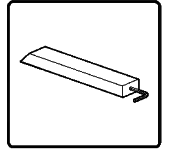


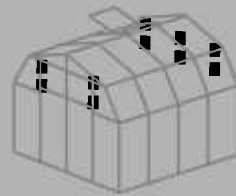
Item		Qty.
E2		6
pin1		12


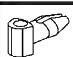


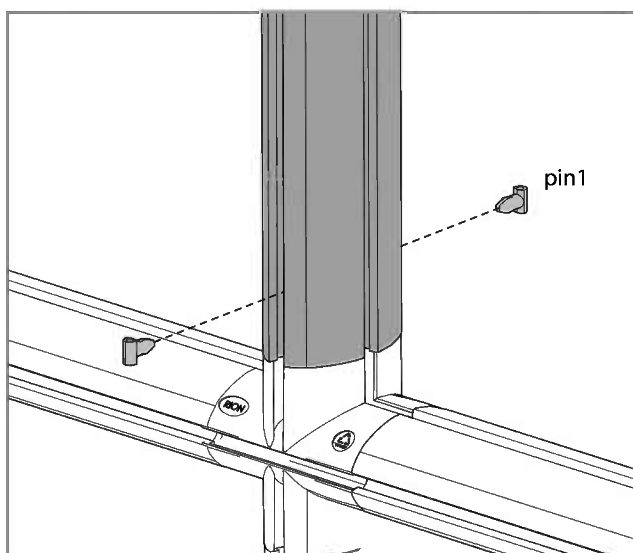
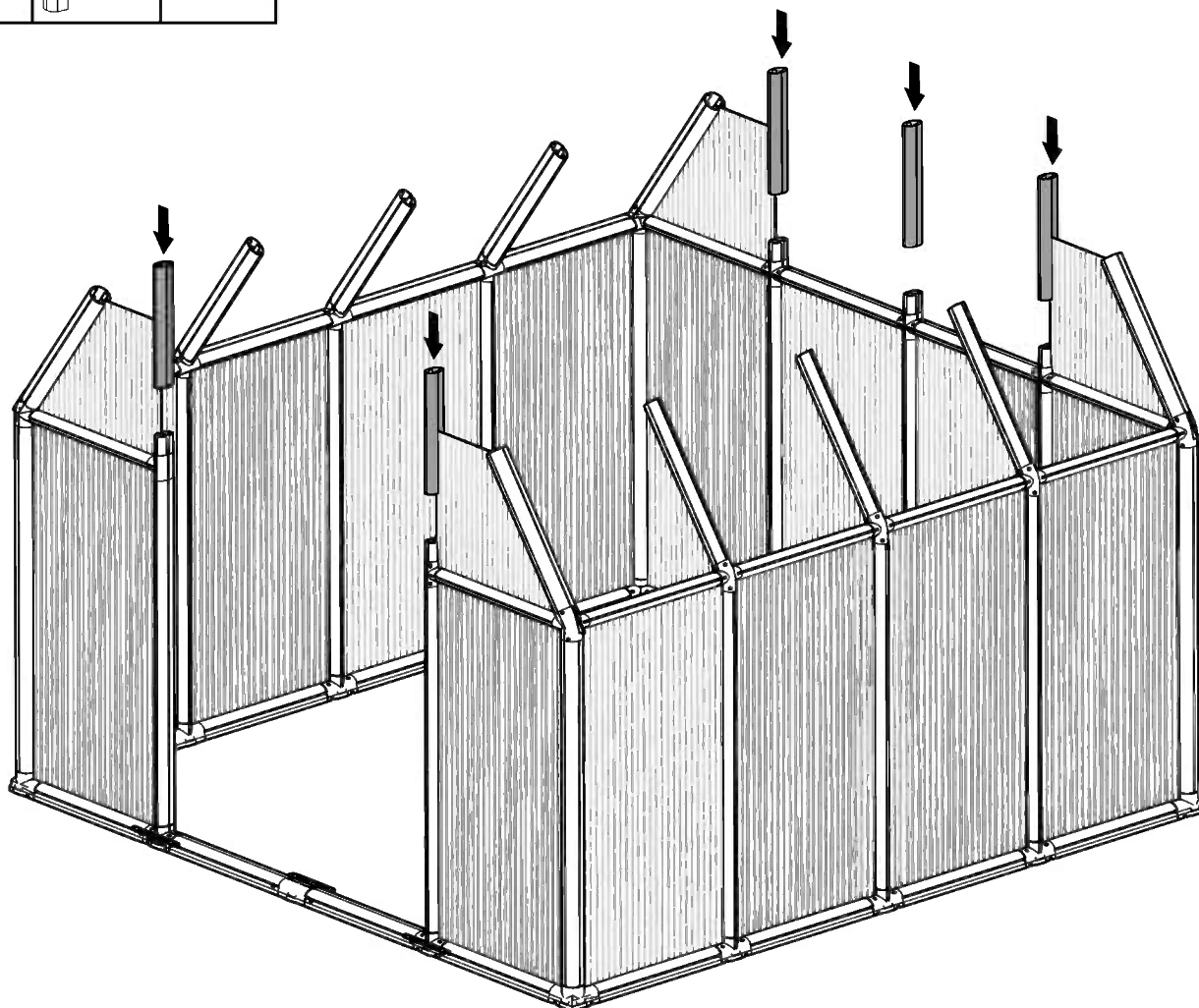
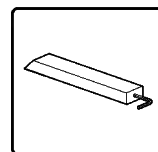


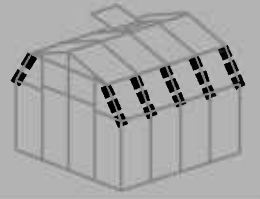
Item		Qty.
R2		4
PN73R		2
PN73L		2
pin1		8




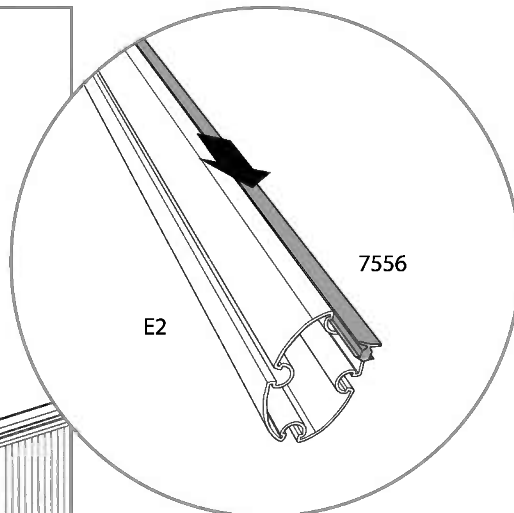
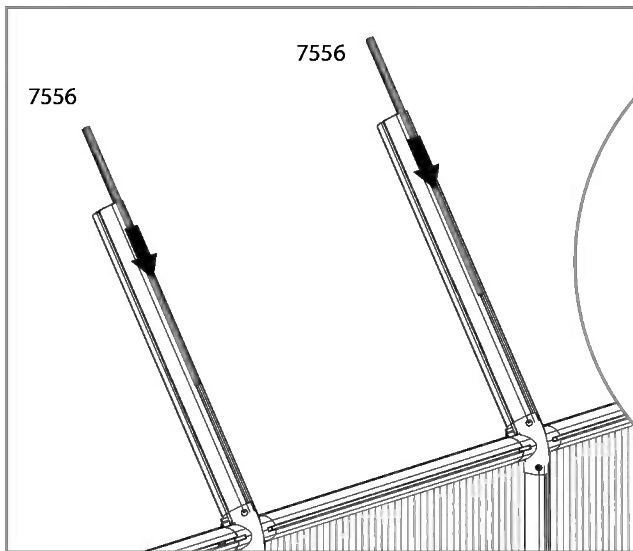
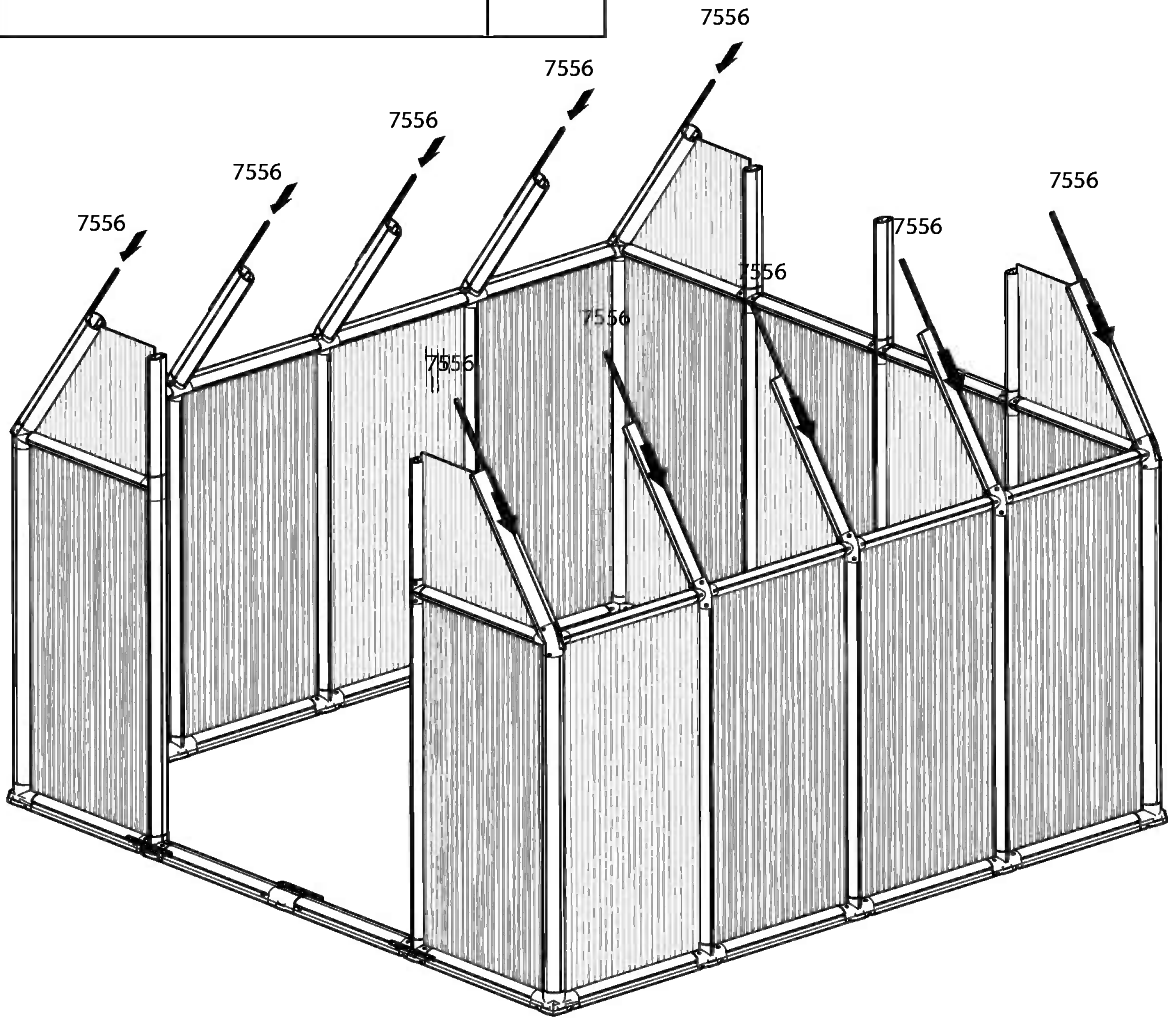


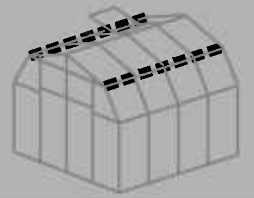
Item		Qty.
E4		5
pin1		10



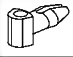


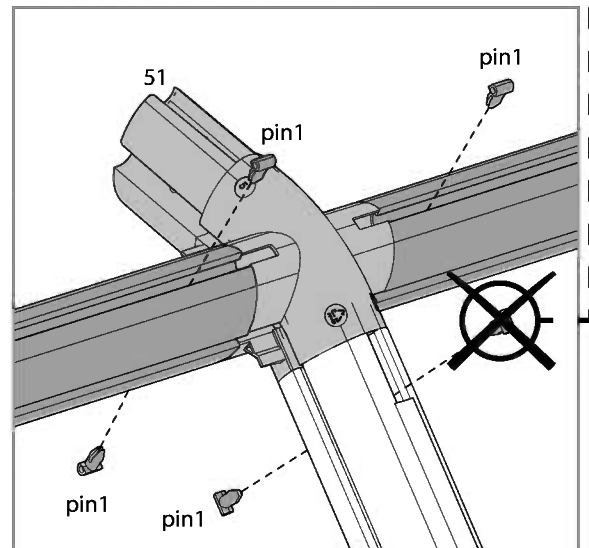
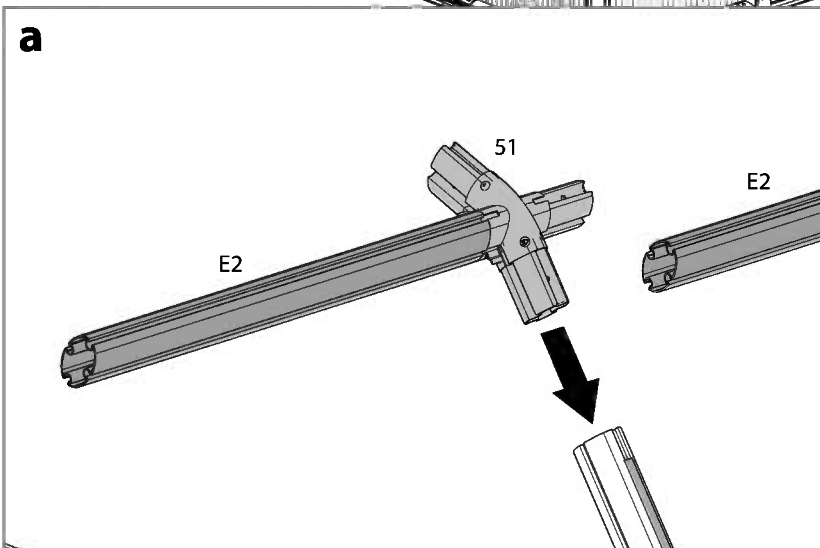
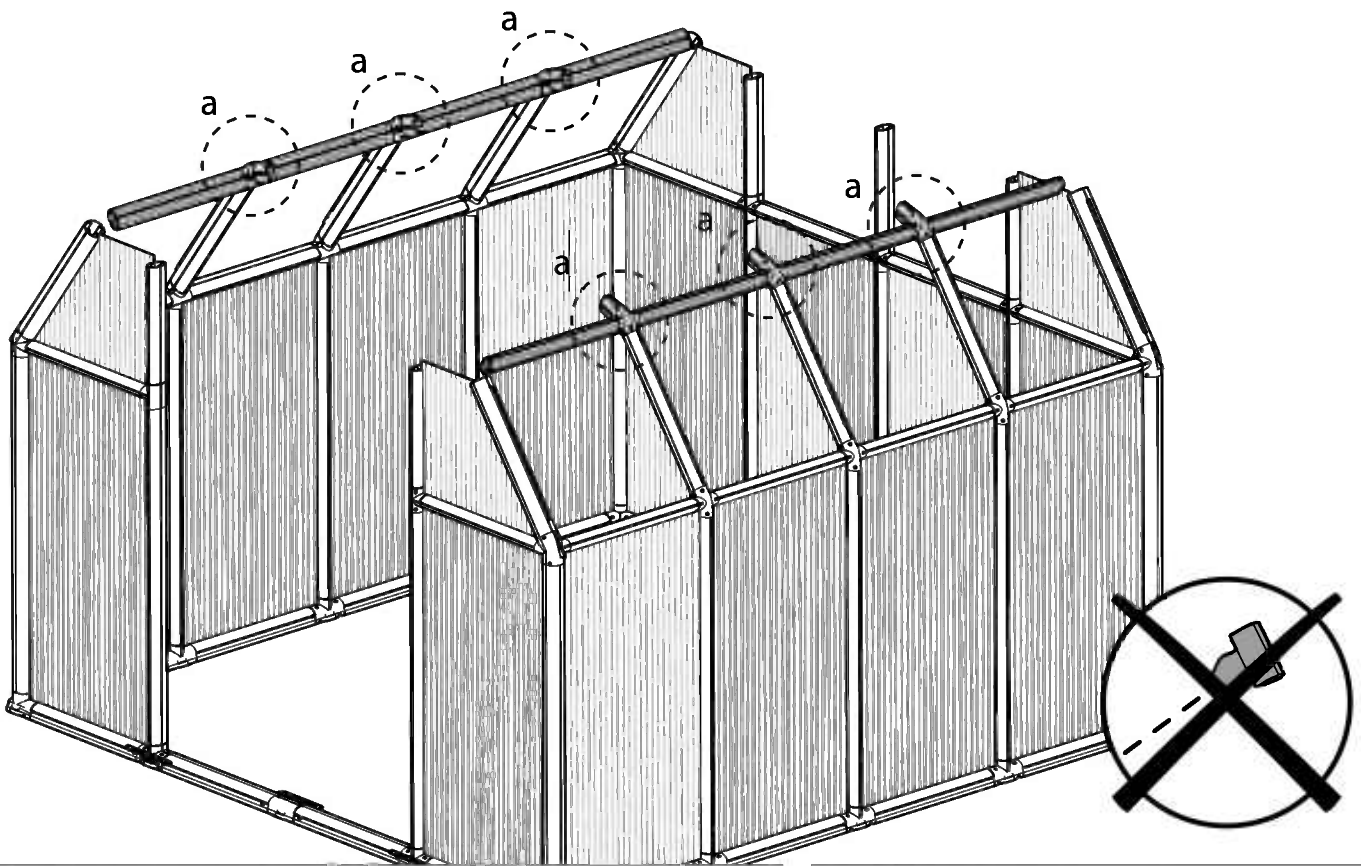
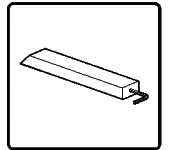


Item		Qty.
7556		10



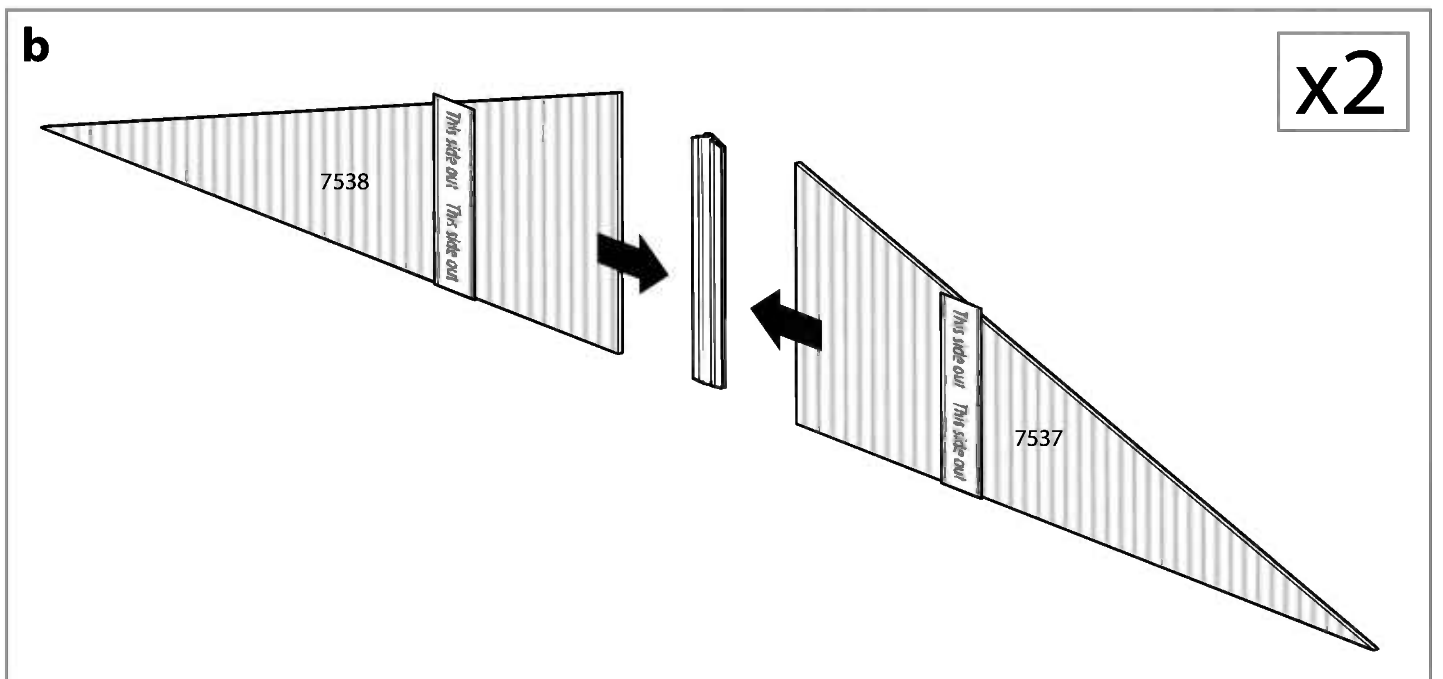
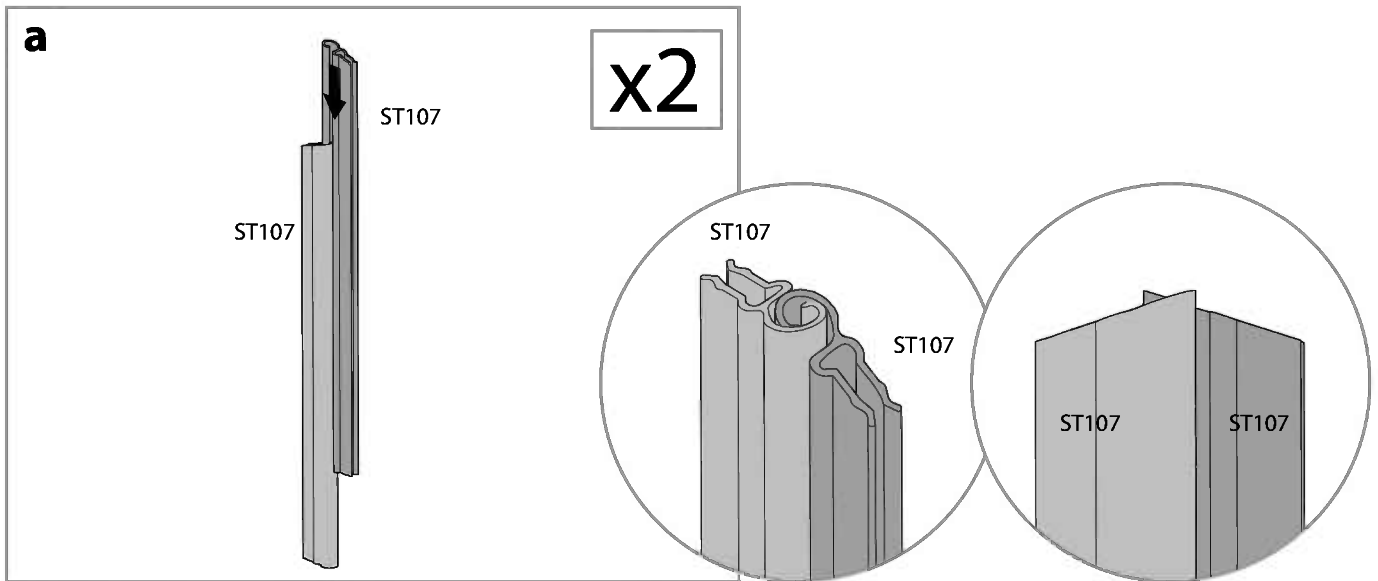


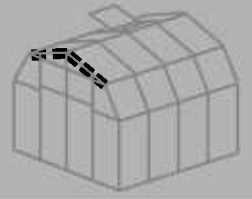
Item		Qty.
E2		8
51		6
pin1		30



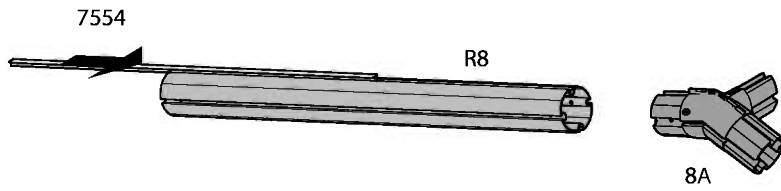
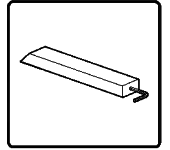


Item		Qty.
7537		2
7538		2
ST107		4

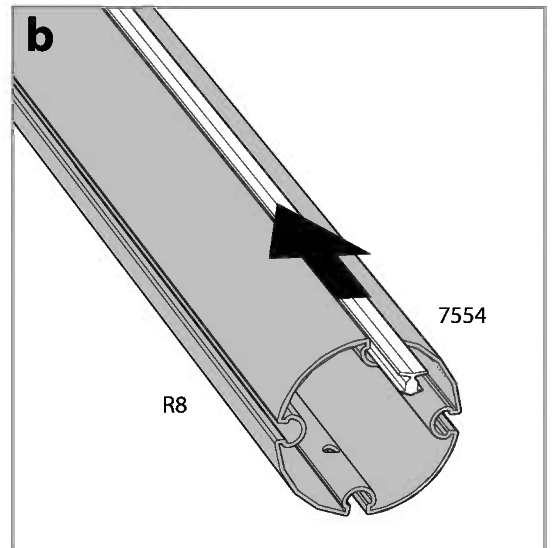
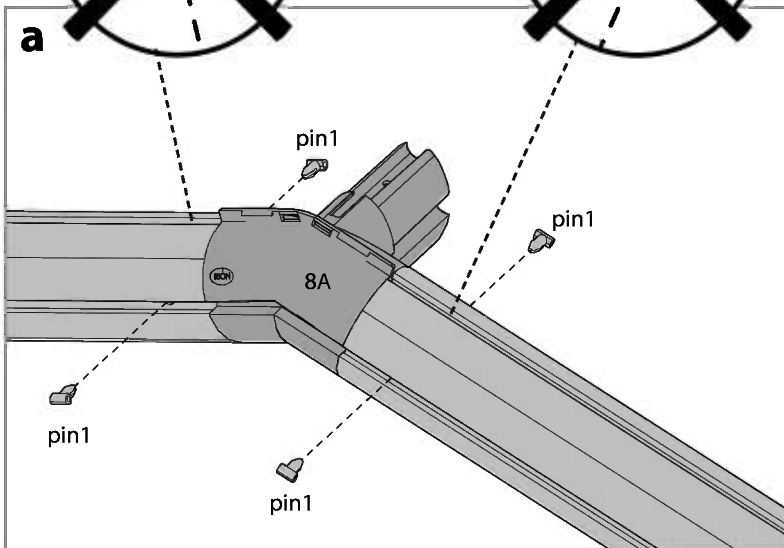
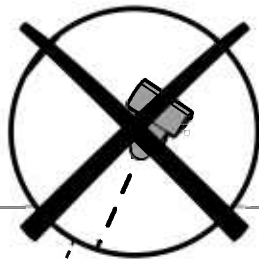
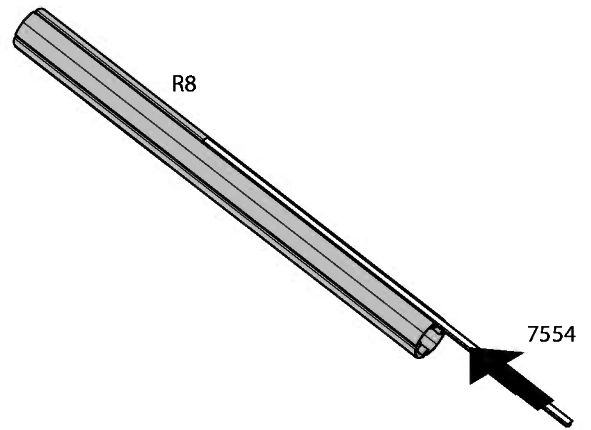


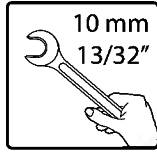
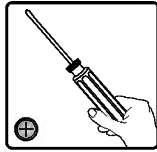
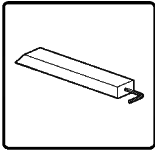


Item		Qty.
R8		4
7554		4
8A		2
pin1		8



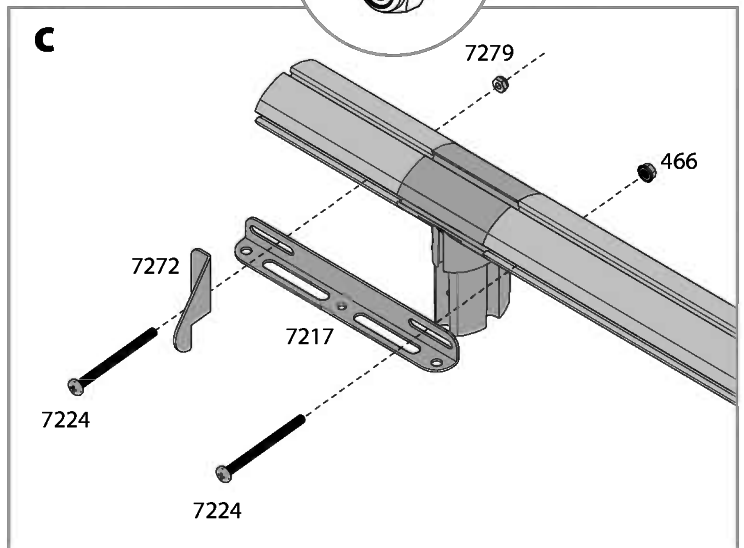
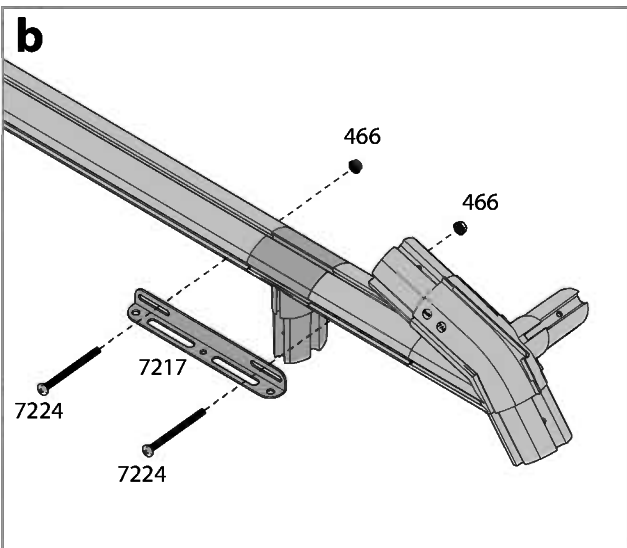
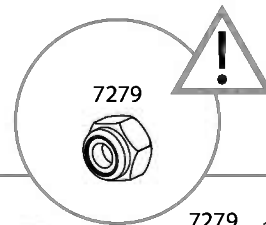
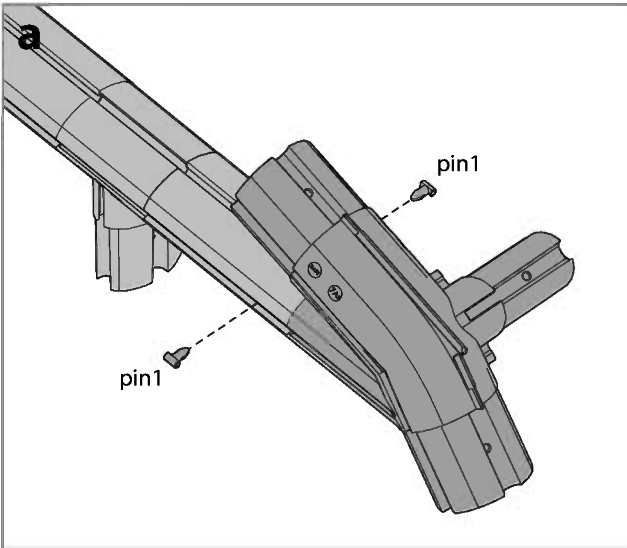
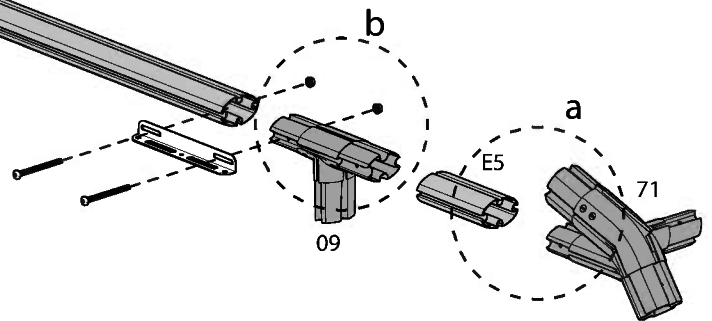
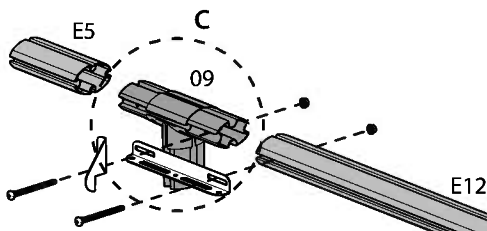
x2

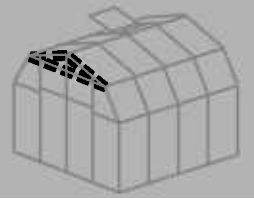


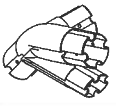
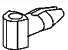


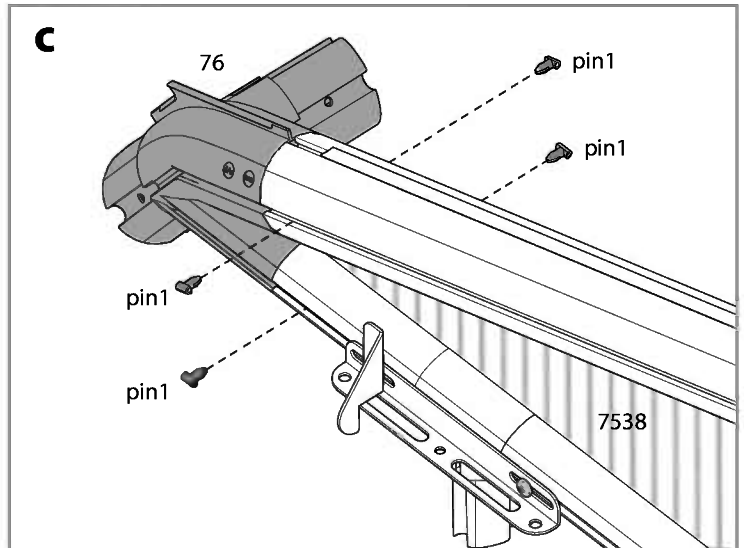
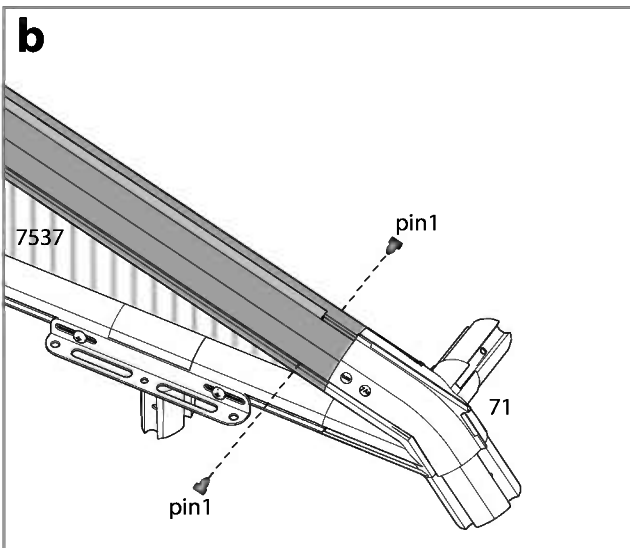
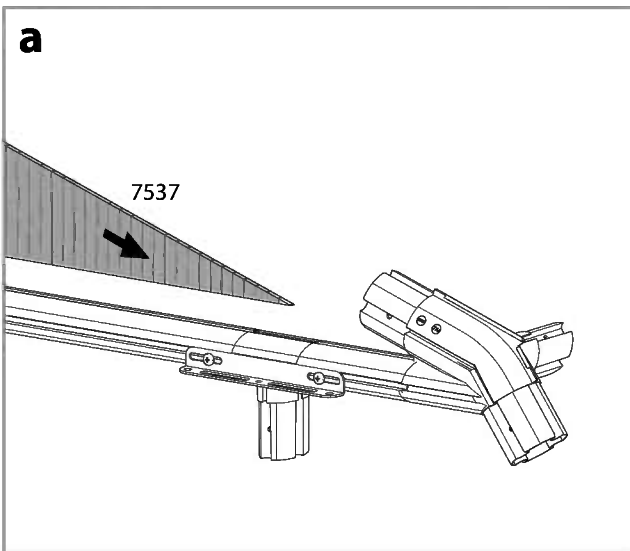
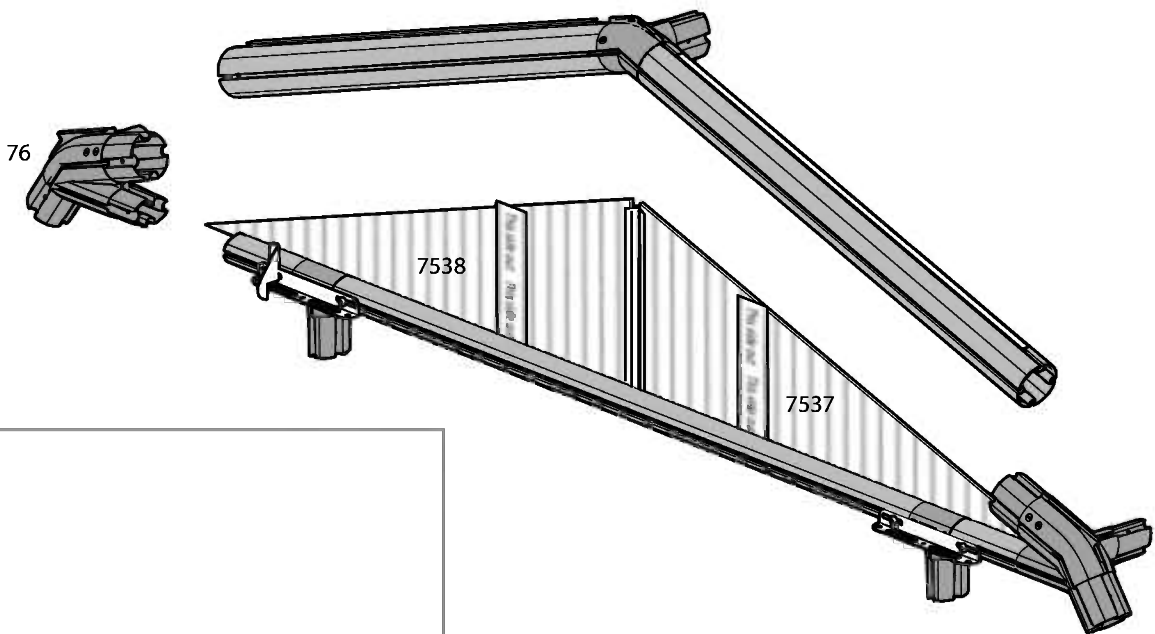
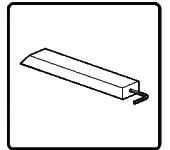
Item		Qty.
71		1
E5		2
E12		1

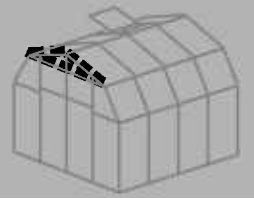
Item		Qty.
09		2
7272		1
7224		4
7217		2
466		3
7279		1
pin1		2

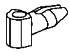


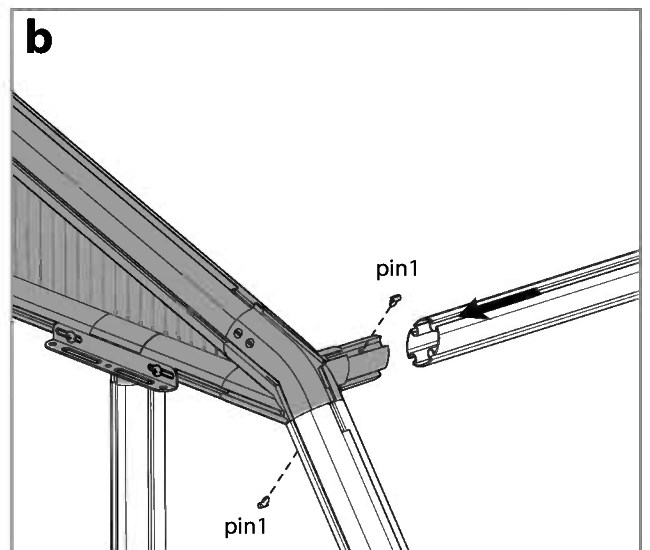
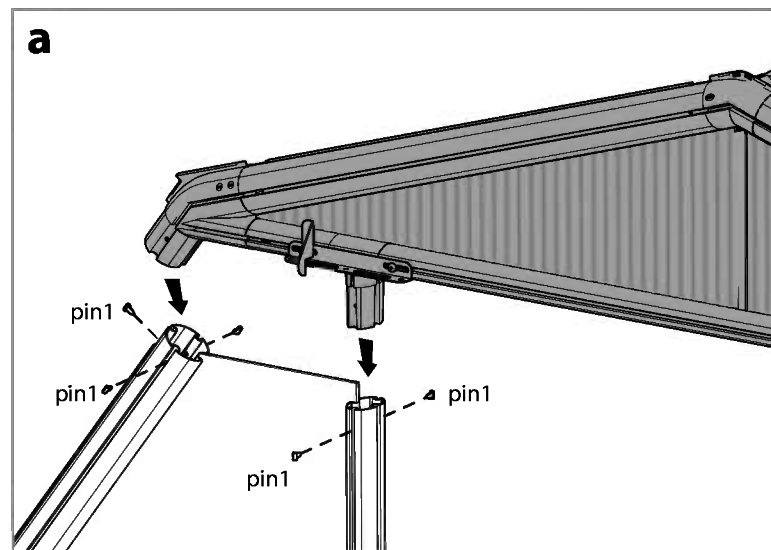
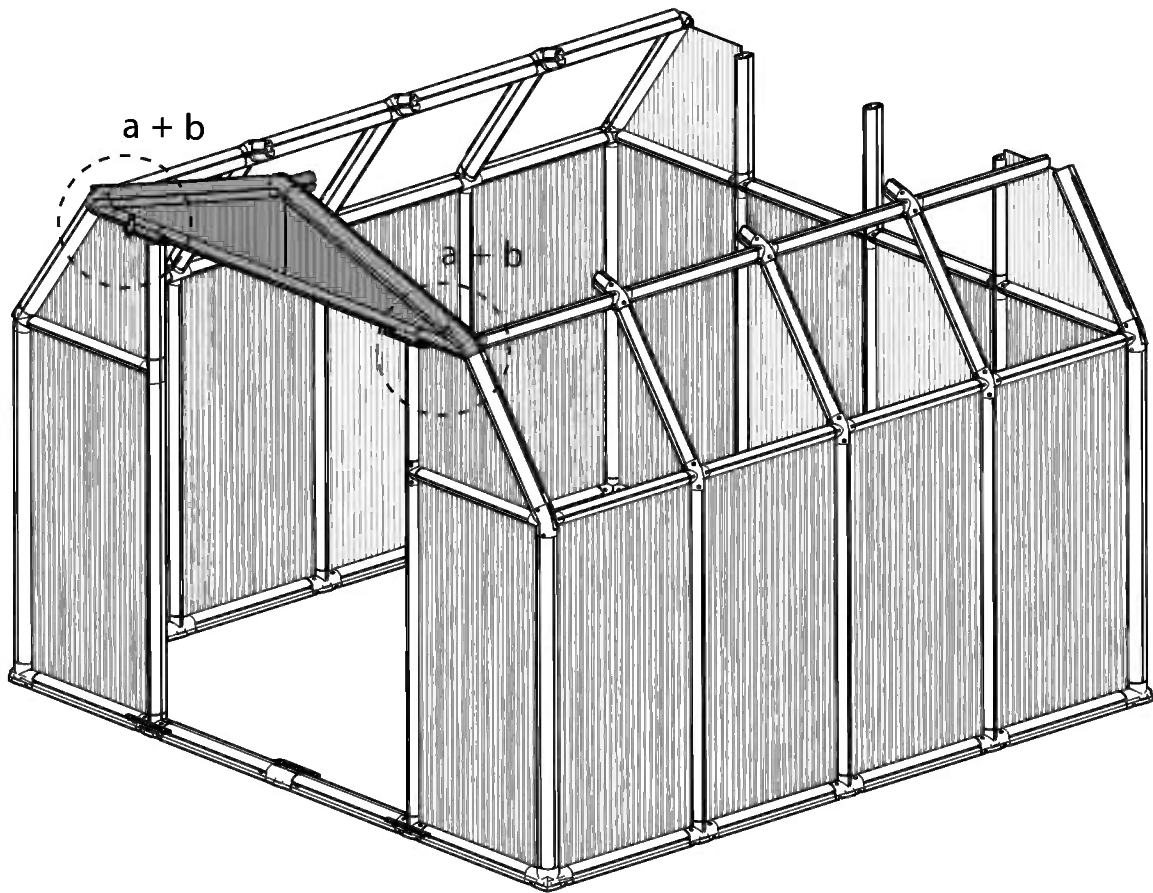
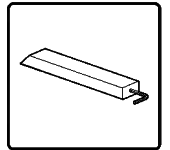


Item		Qty.
76		1
pin1		6

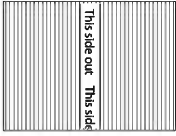


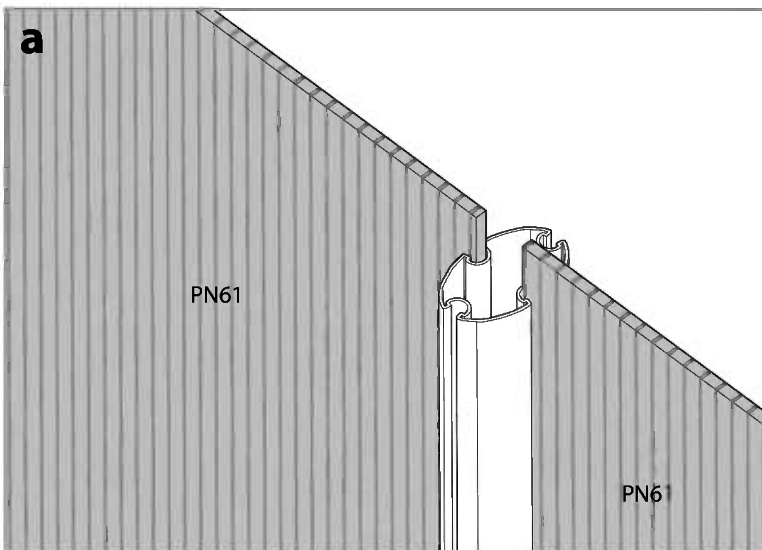
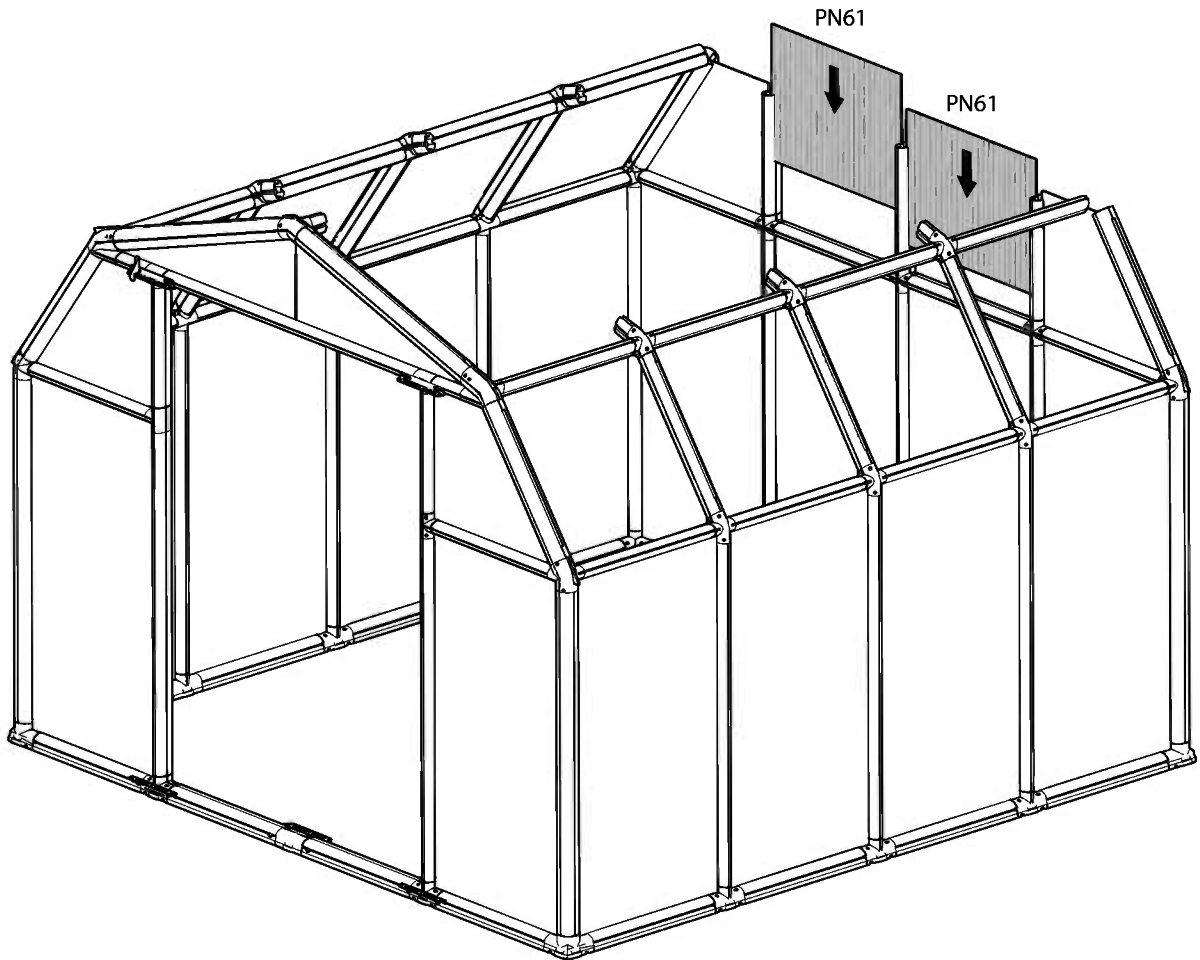


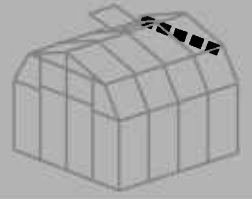
Item		Qty.
pin1		14



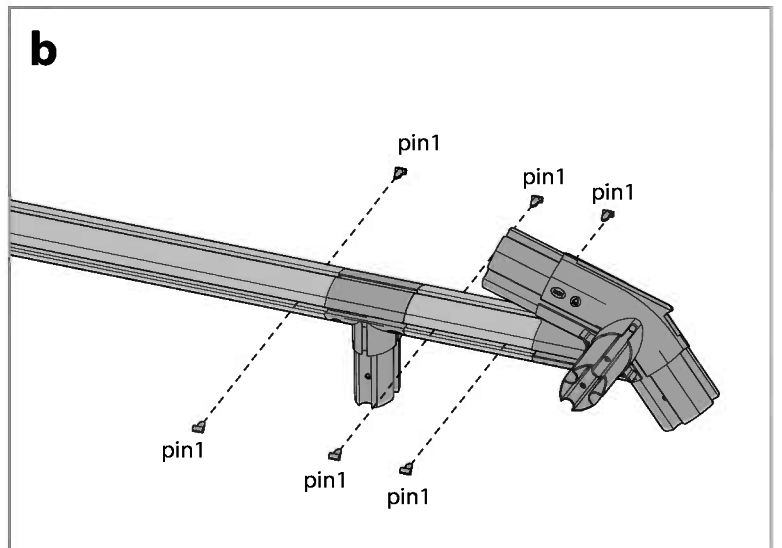
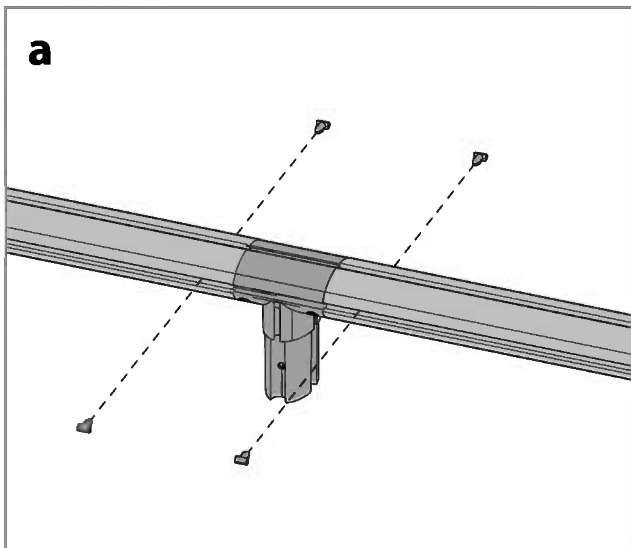
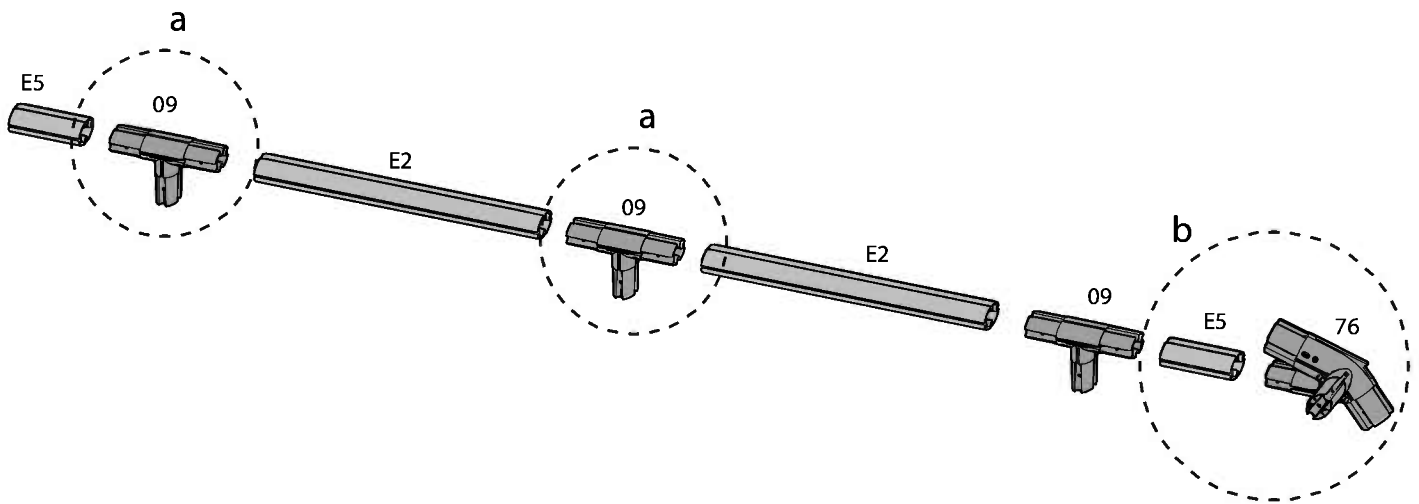
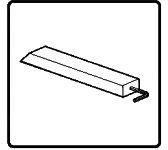


Item		Qty.
PN61		2





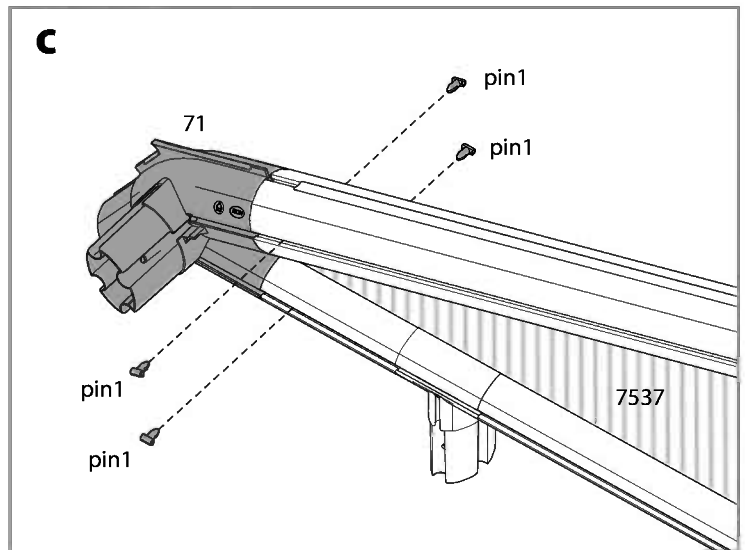
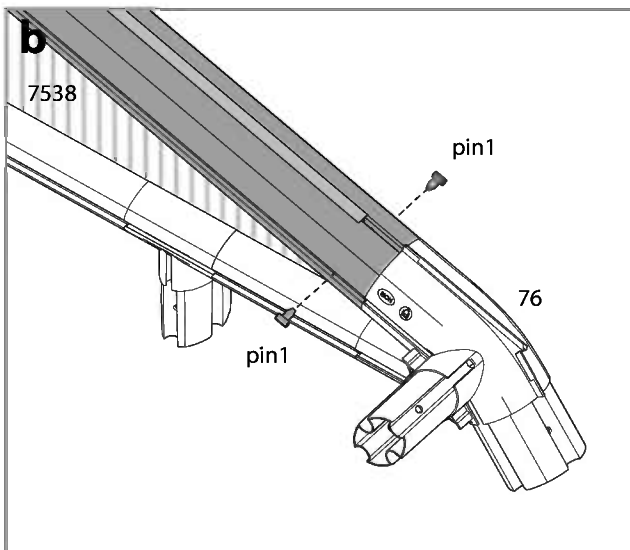
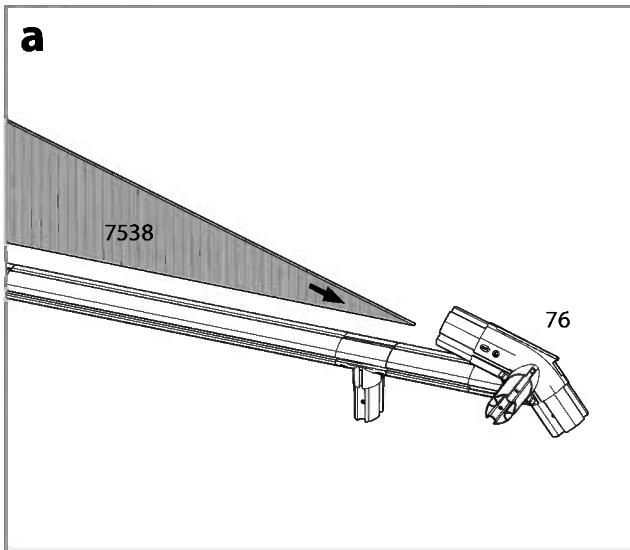
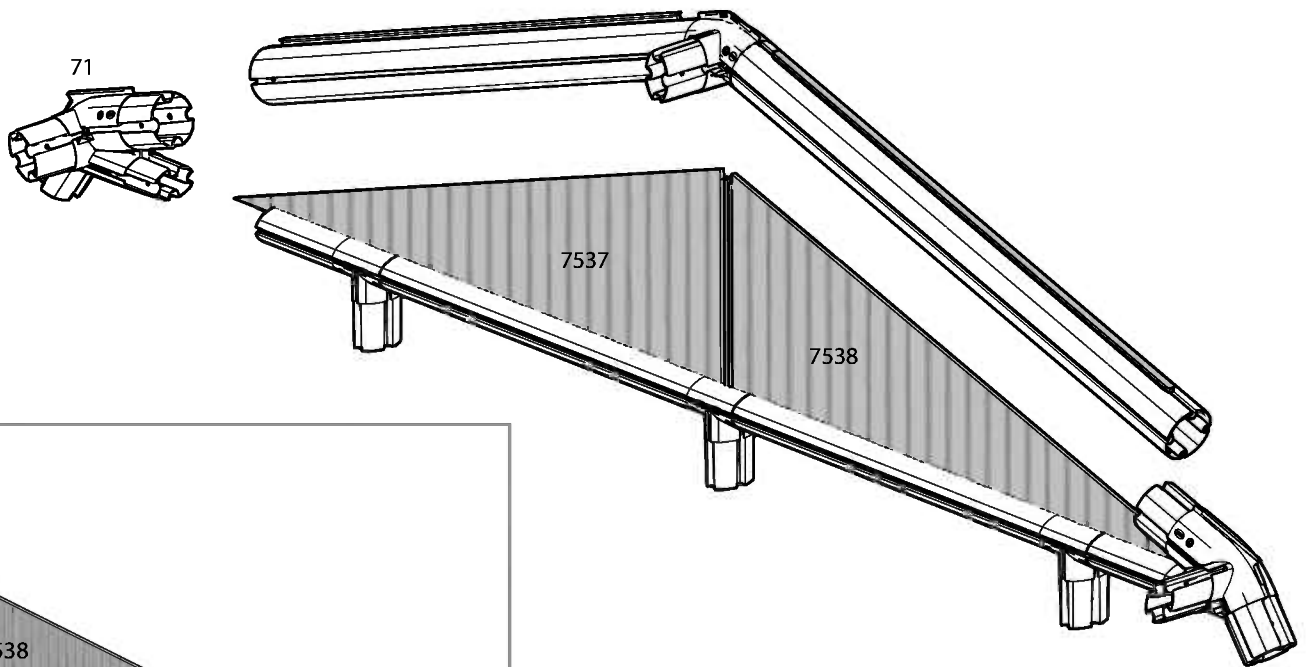
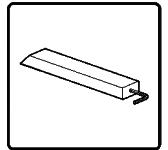


Item		Qty.
76		1
09		3
E5		2
E2		2
pin1		14

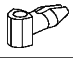


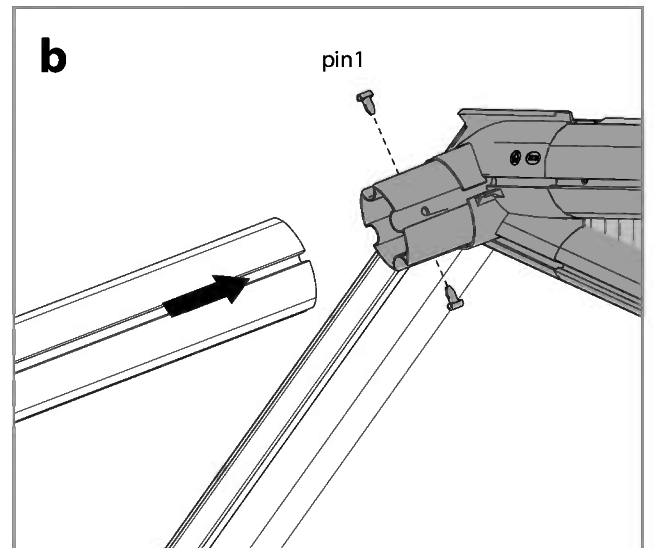
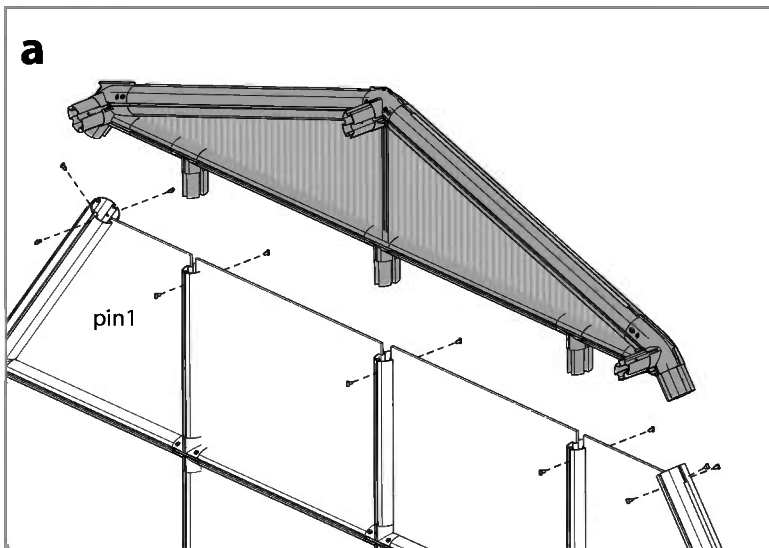
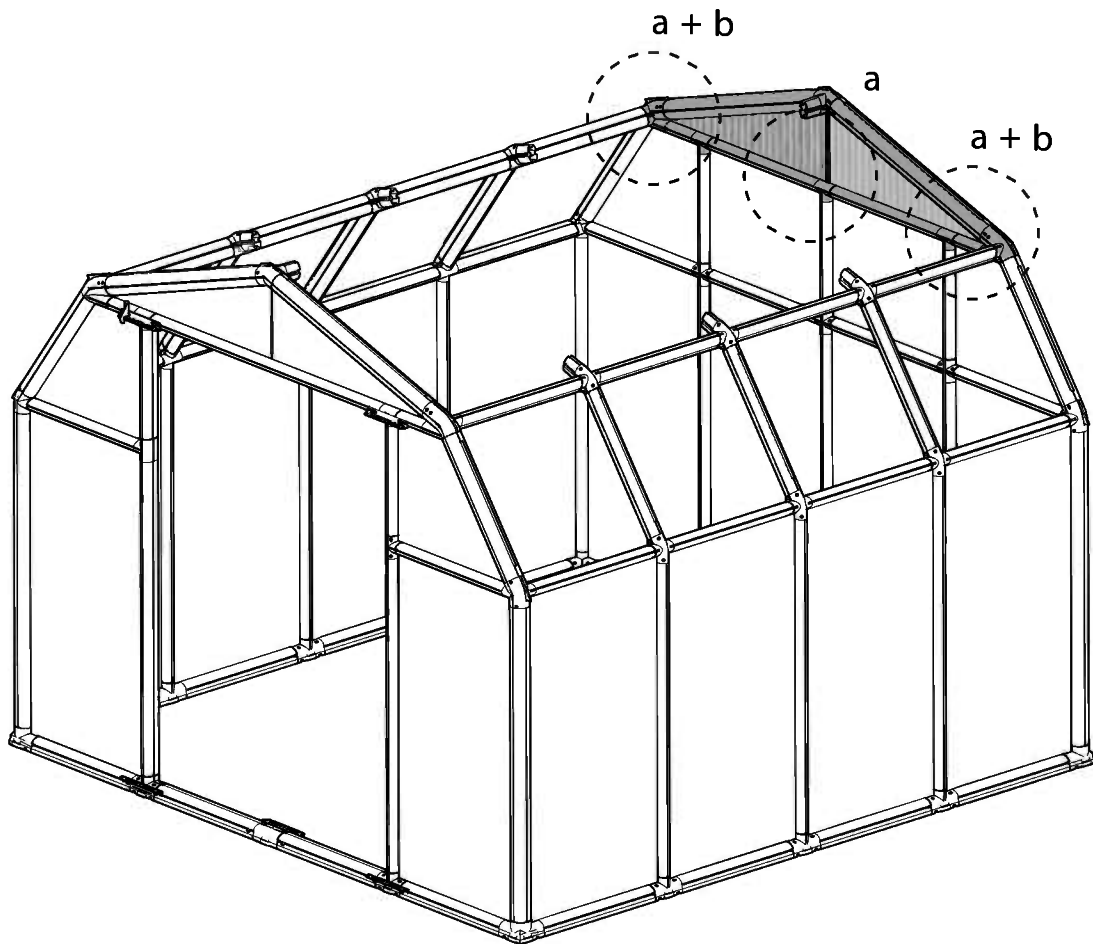
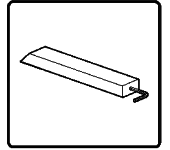


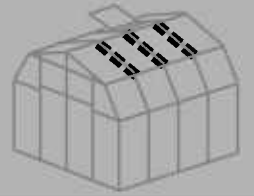
Item		Qty.
71		1
pin1		6

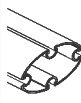




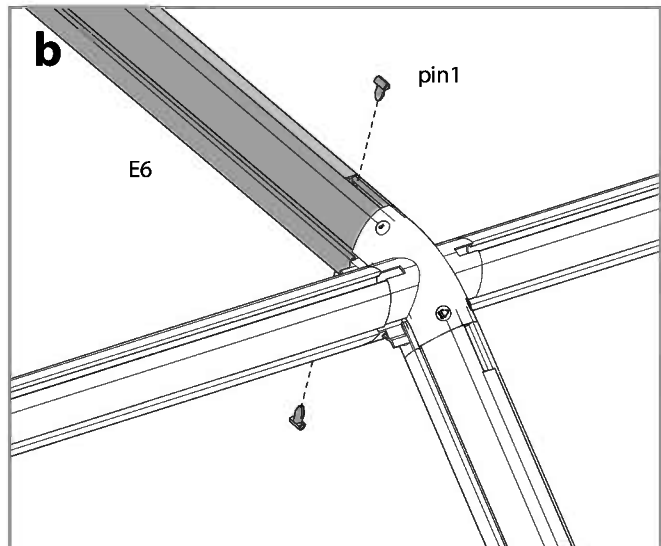
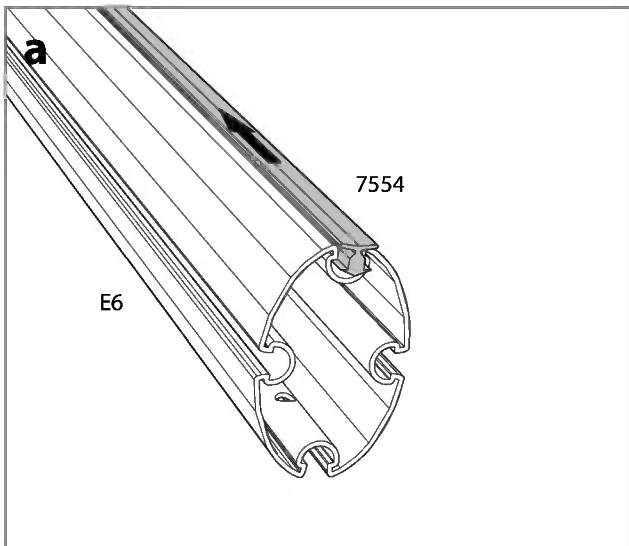
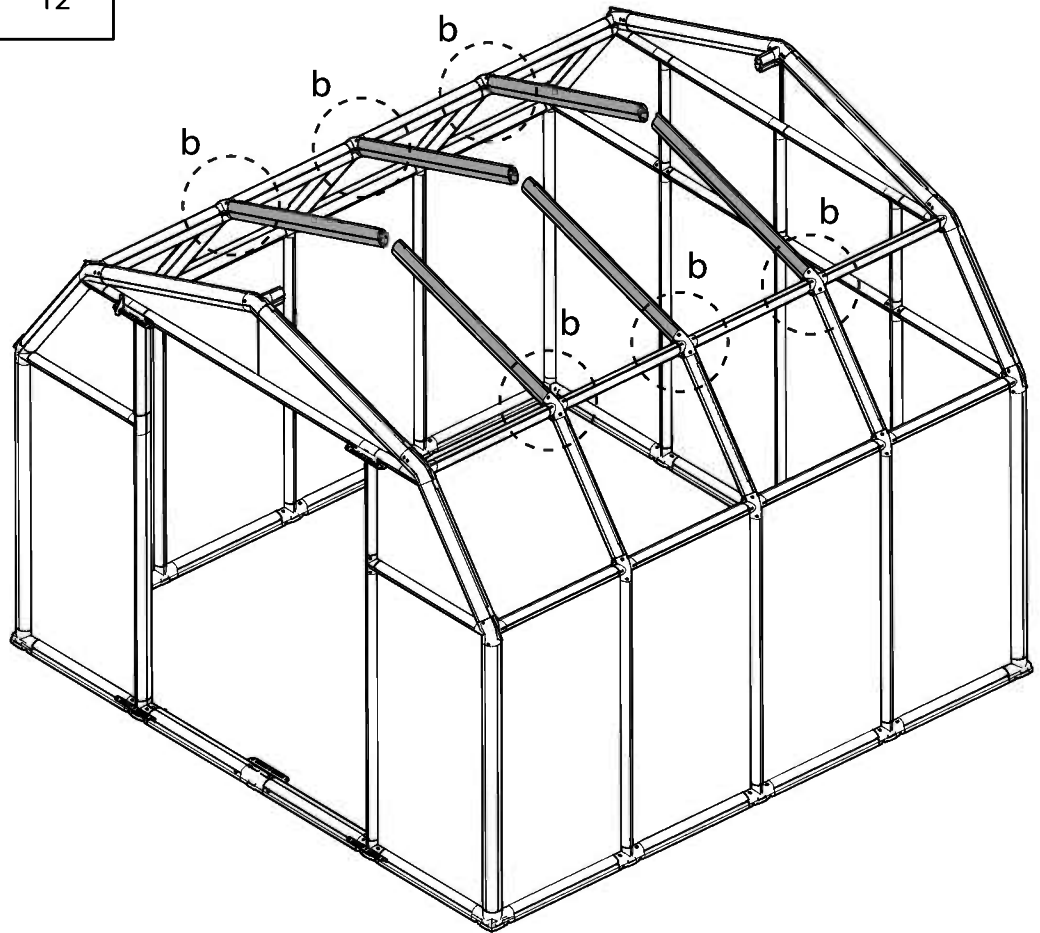
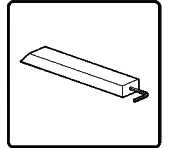


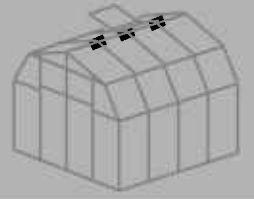
Item		Qty.
pin1		16

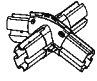
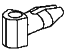


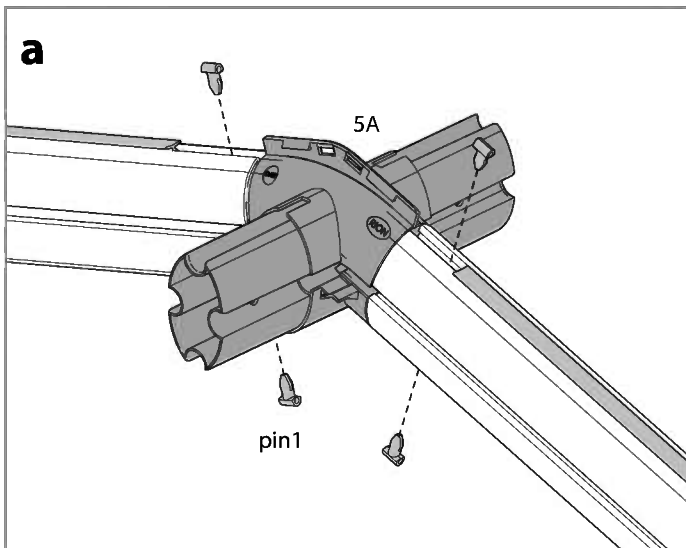
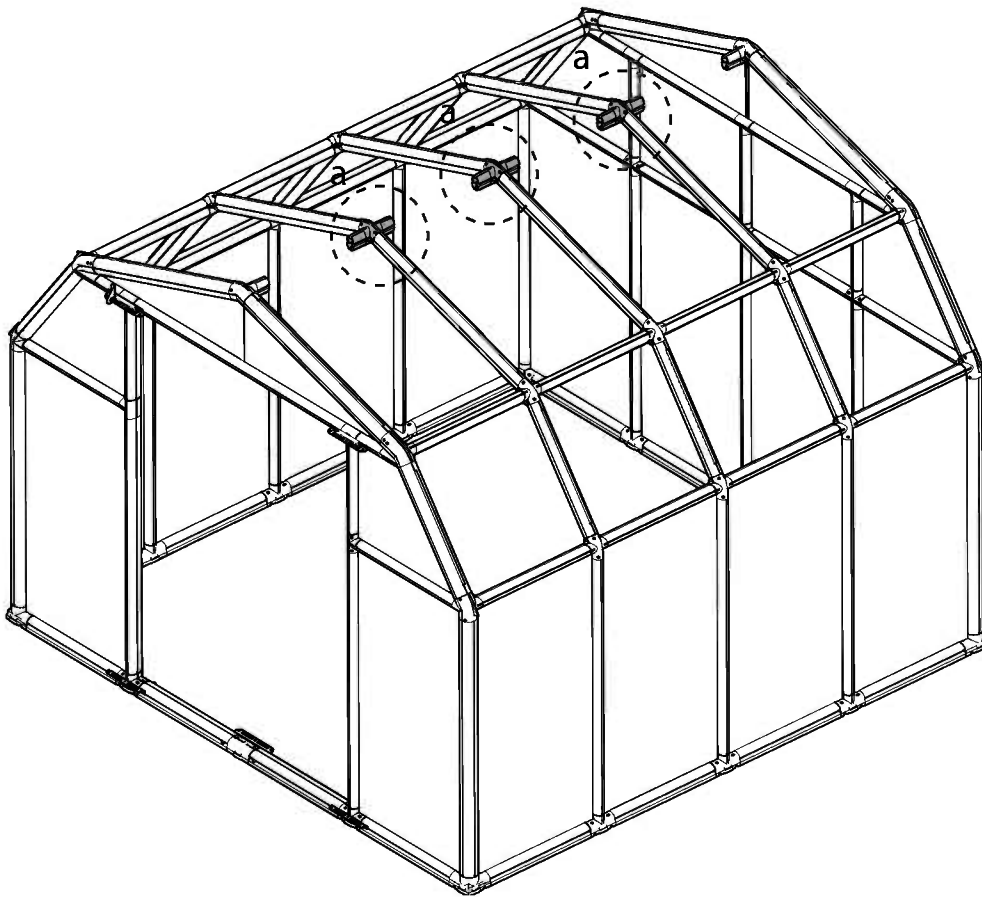
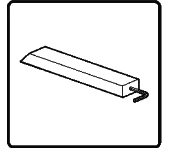


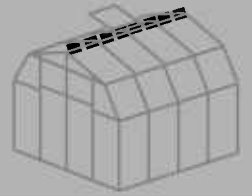
Item		Qty.
E6		6
7554		6
pin1		12

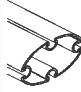



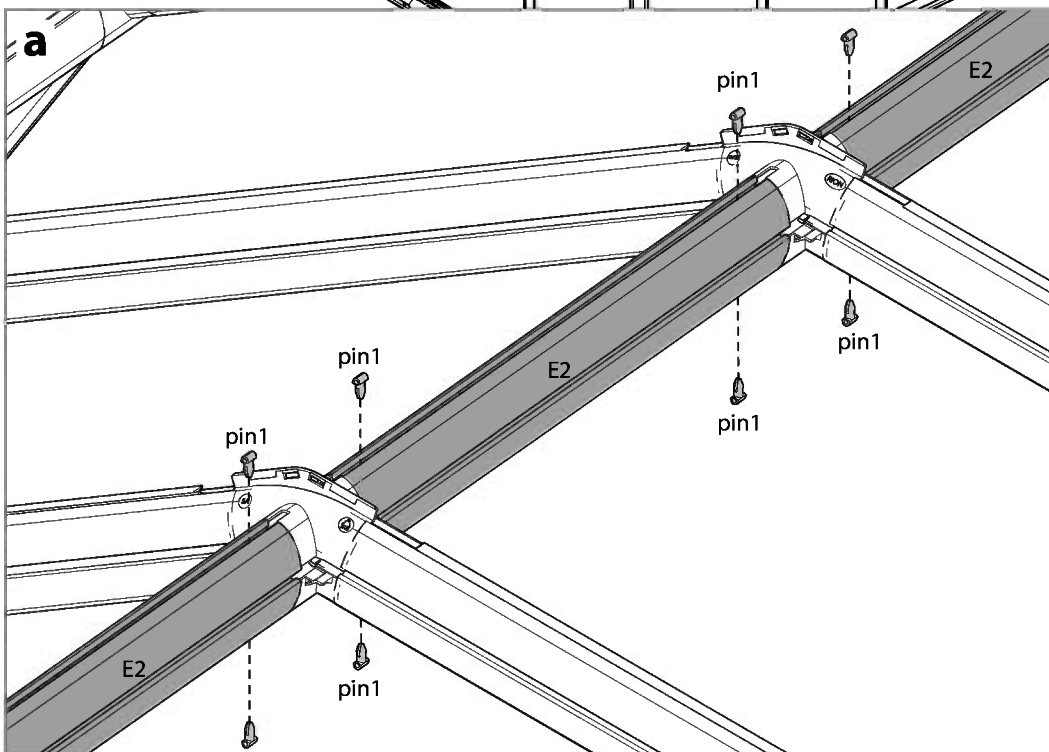
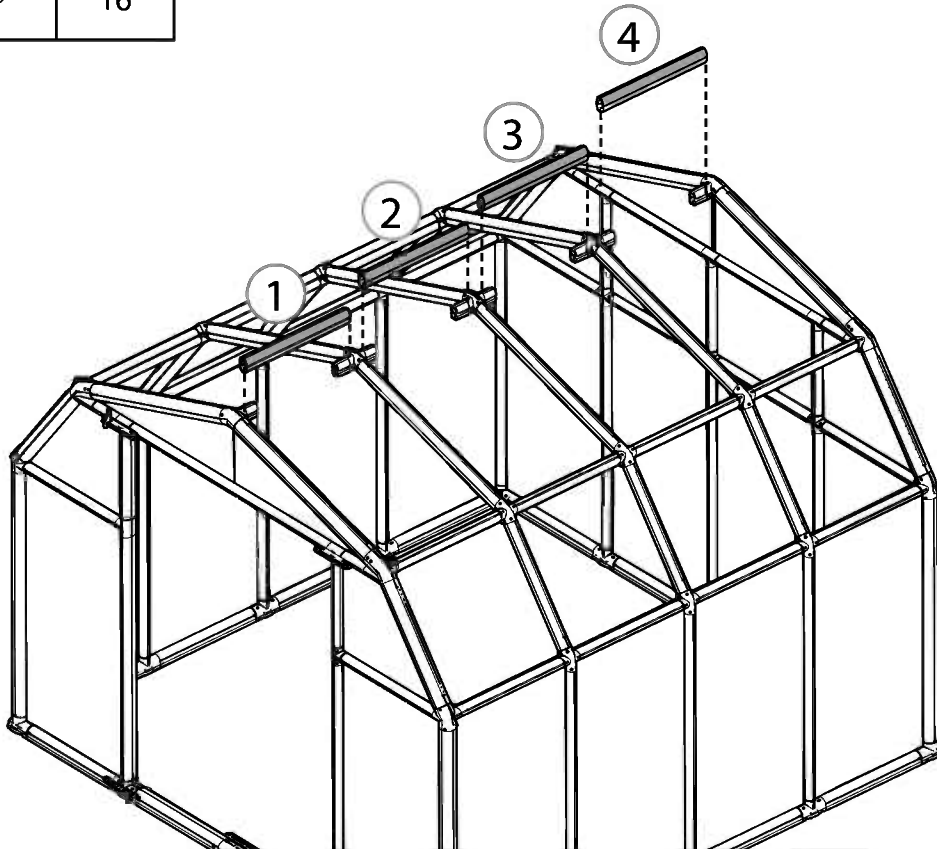
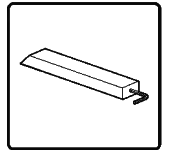


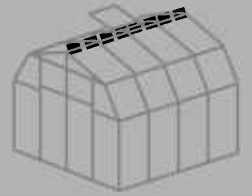
Item		Qty.
5A		3
pin1		12



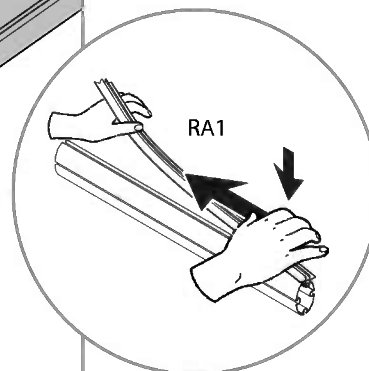
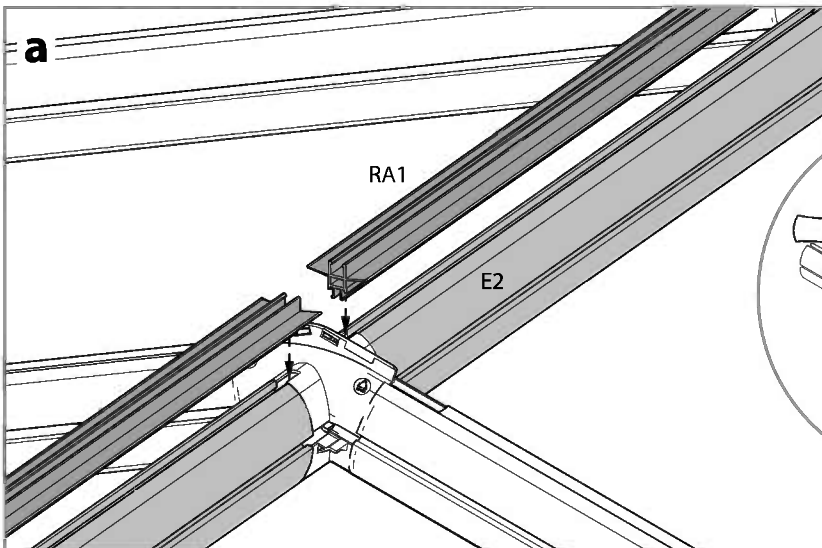
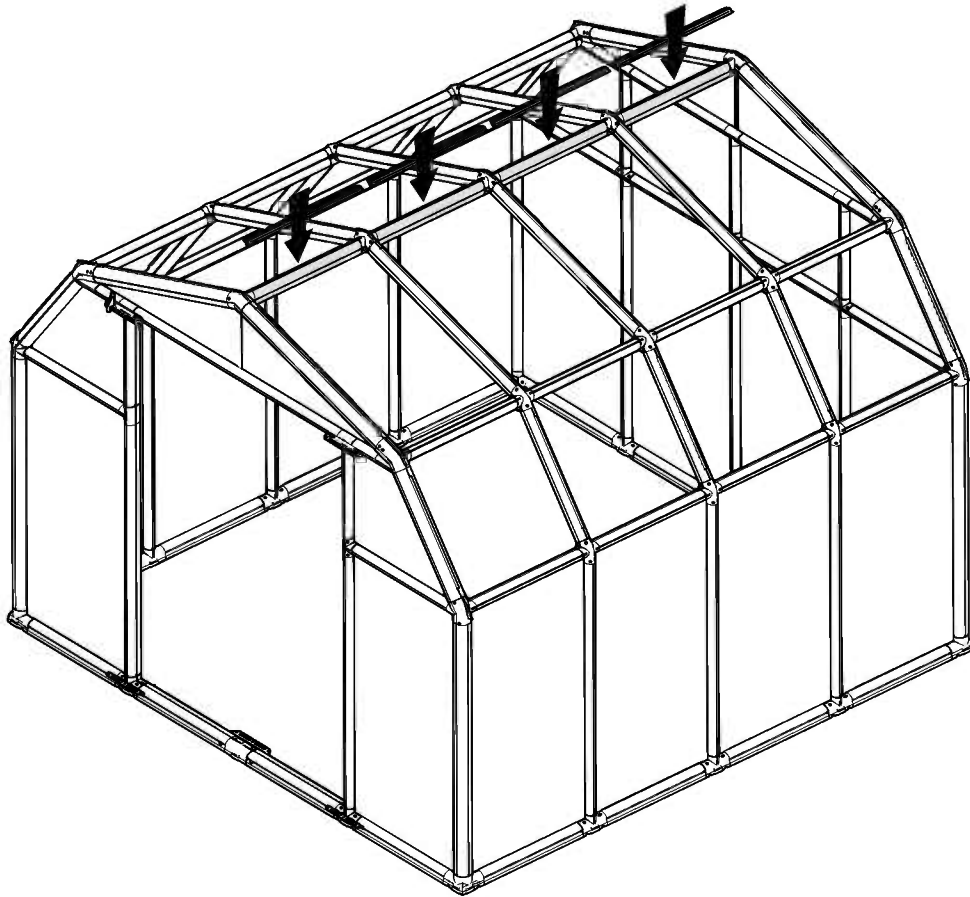


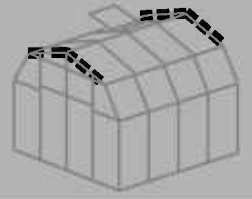
Item		Qty.
E2		4
pin1		16



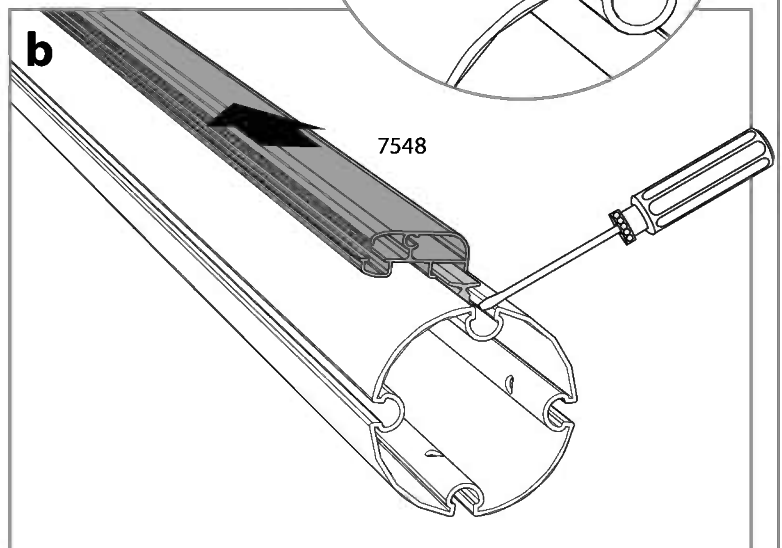
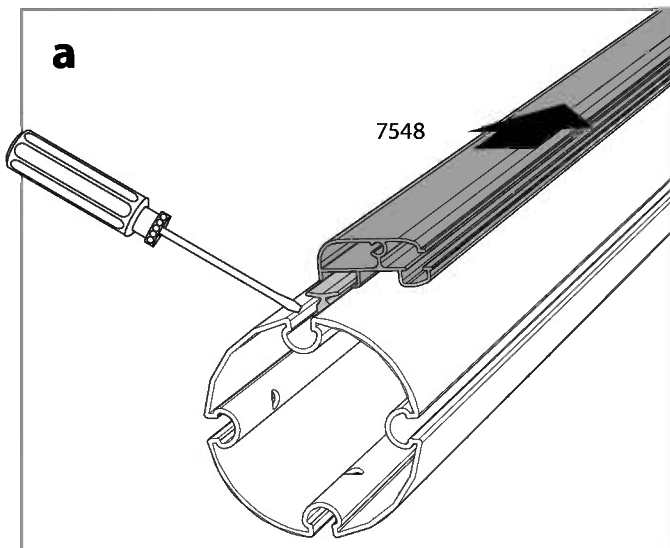
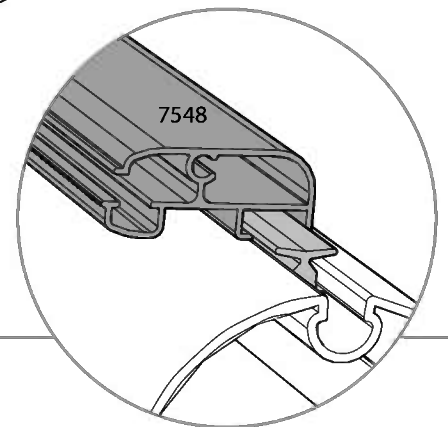
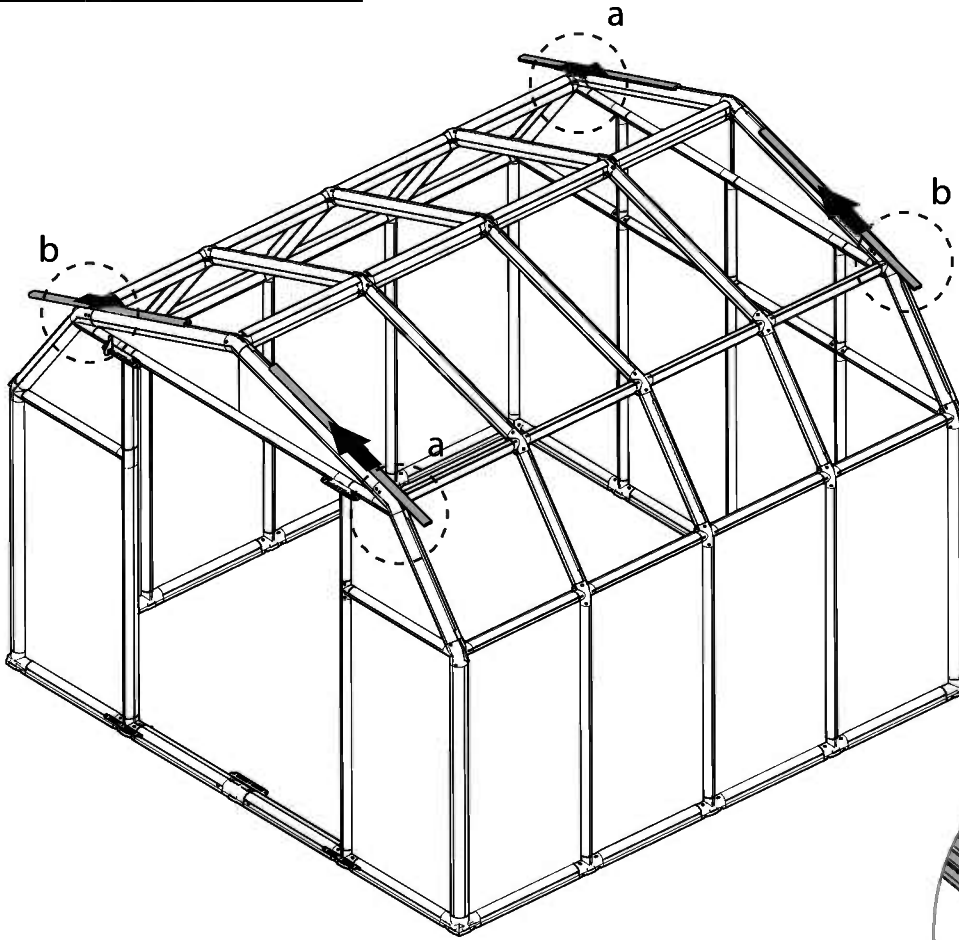
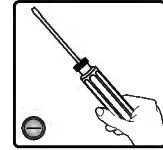


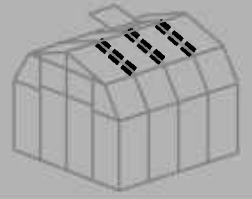
Item		Qty.
RA1		4



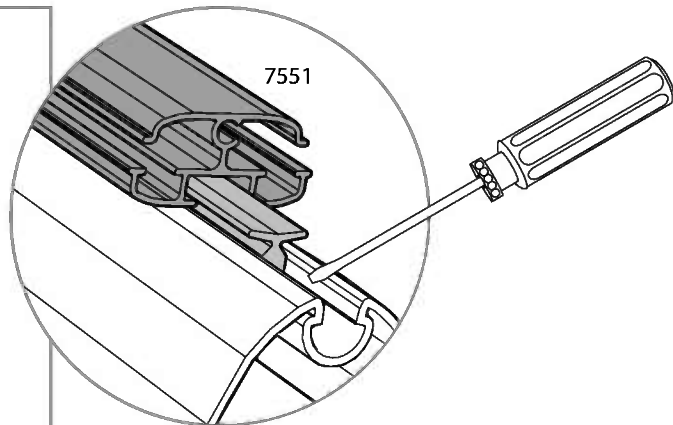
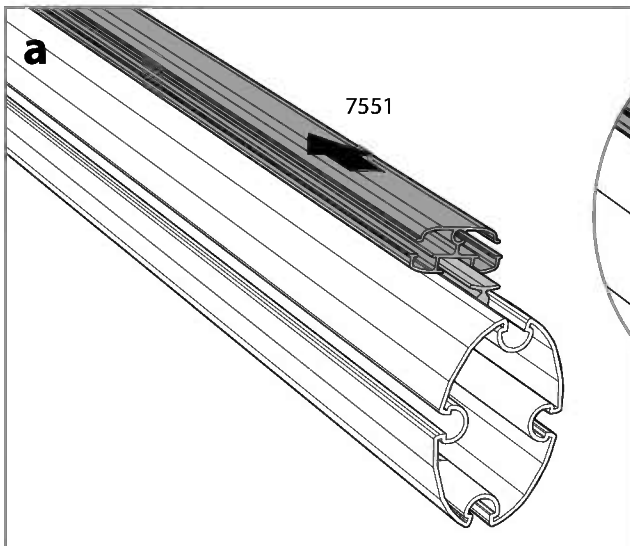
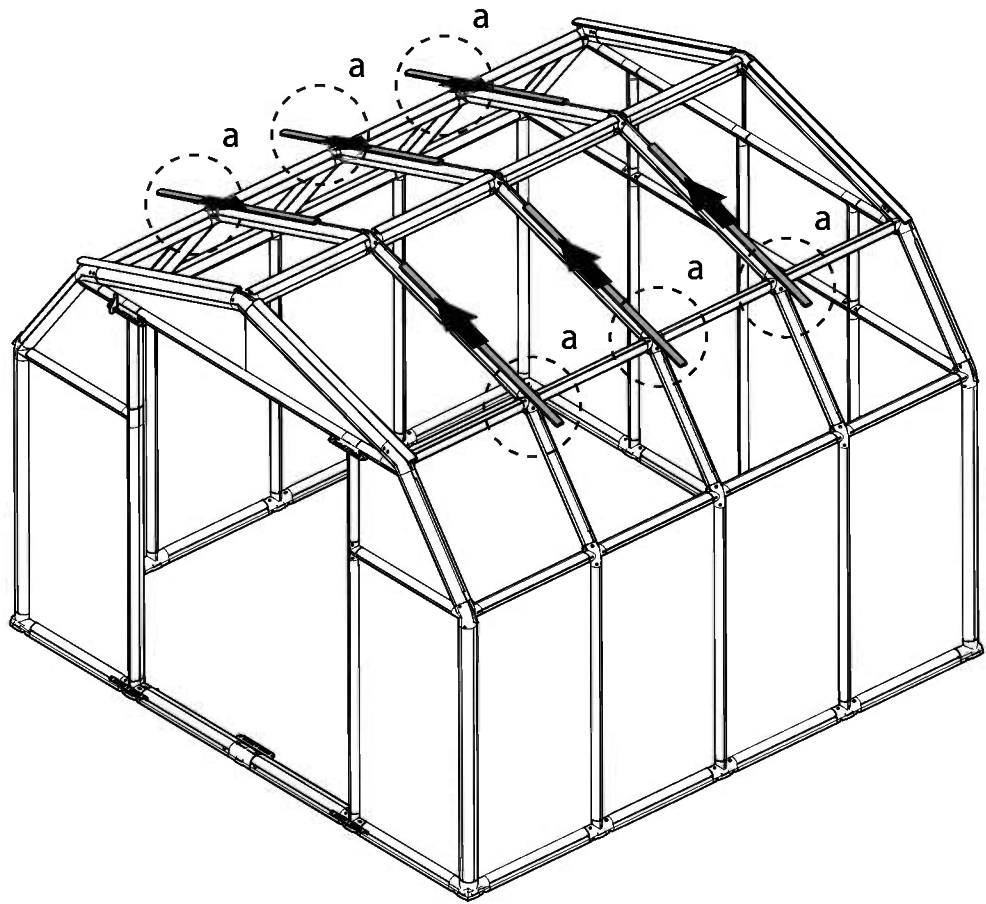
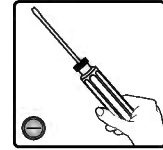


Item		Qty.
7548		4


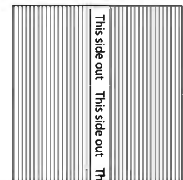


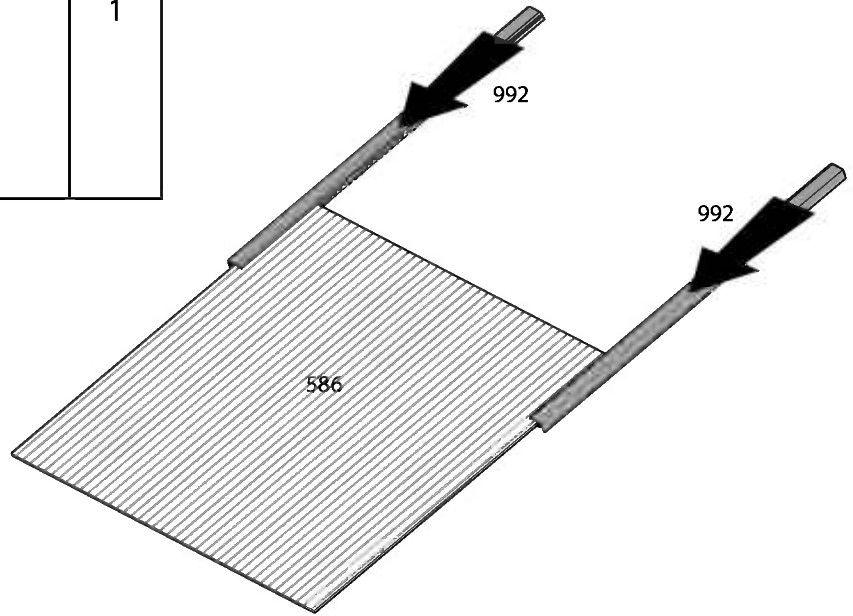
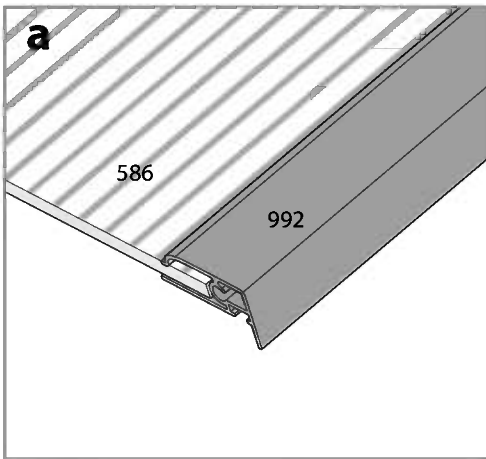



Item		Qty.
7551		6

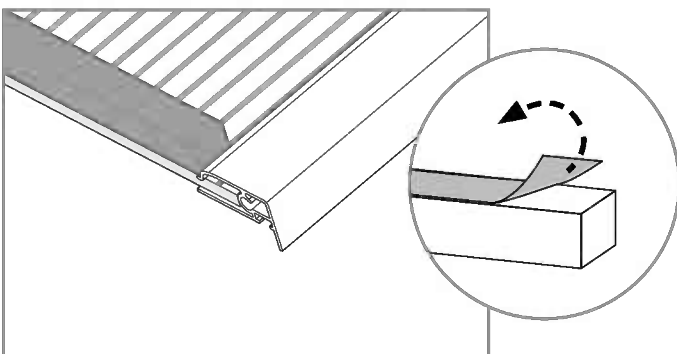
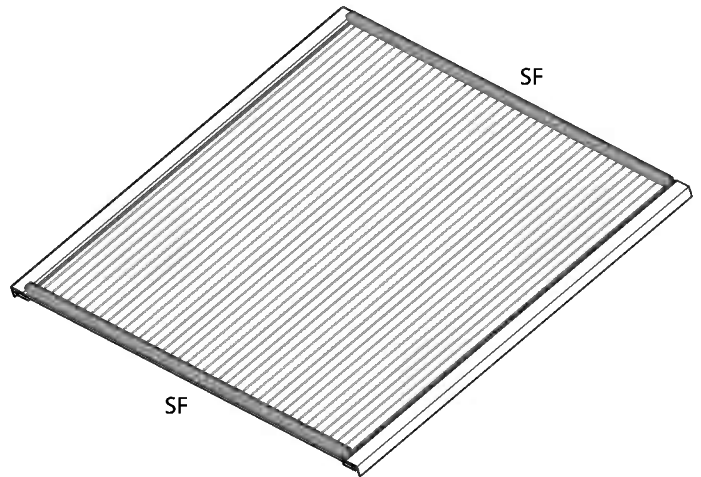
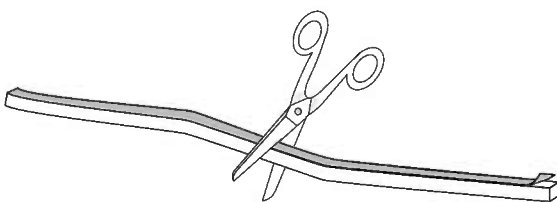




Item		Qty.
992		2
586		1



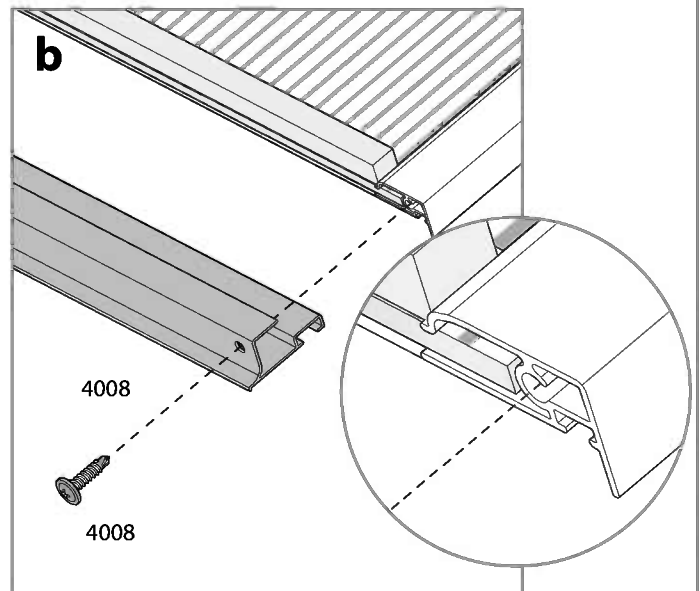
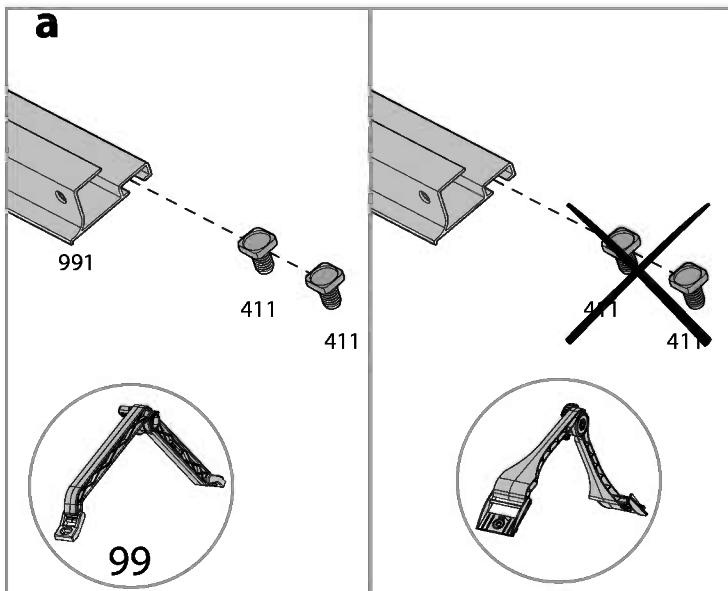
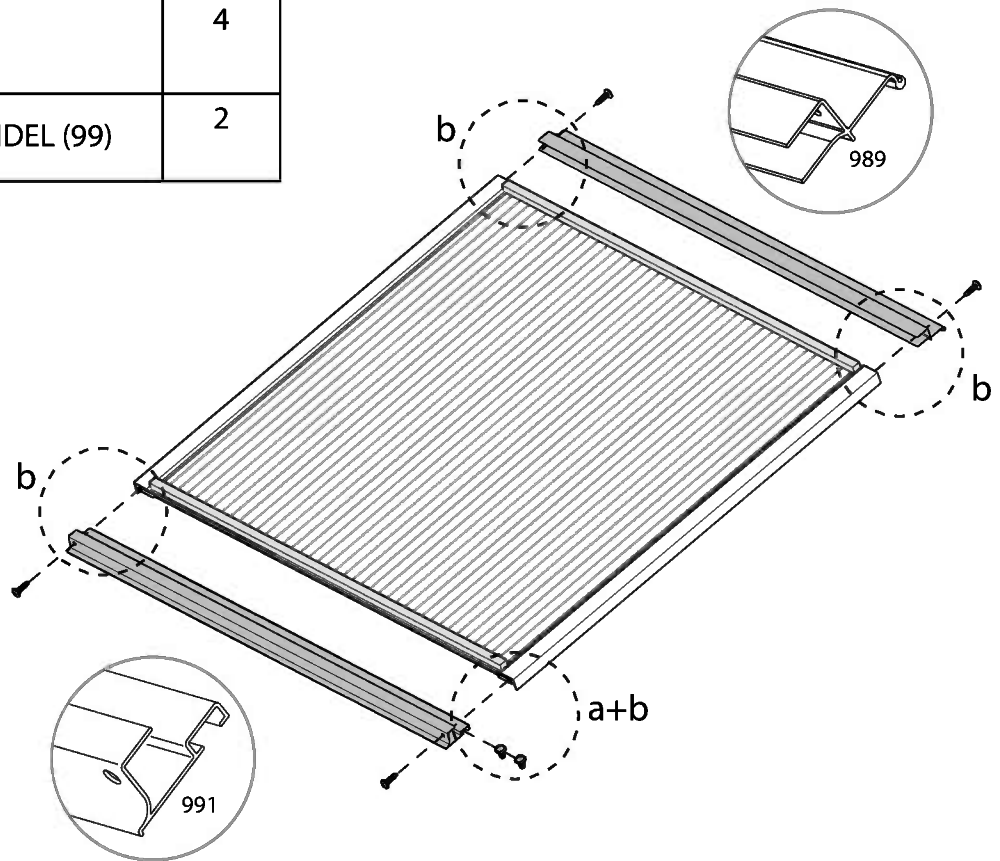
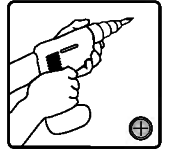
Item		Qty.
SF		1



35 **i** screw (411) for handel (99)

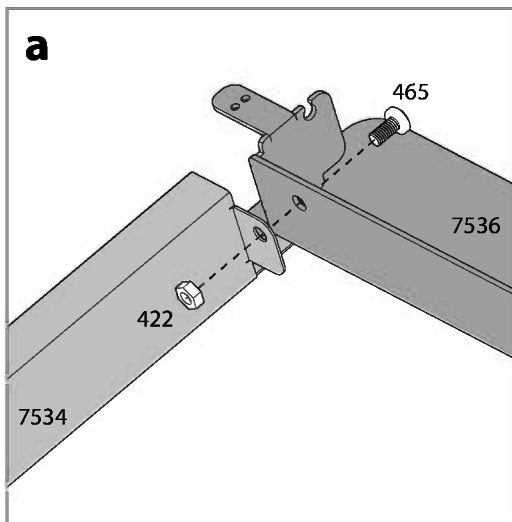
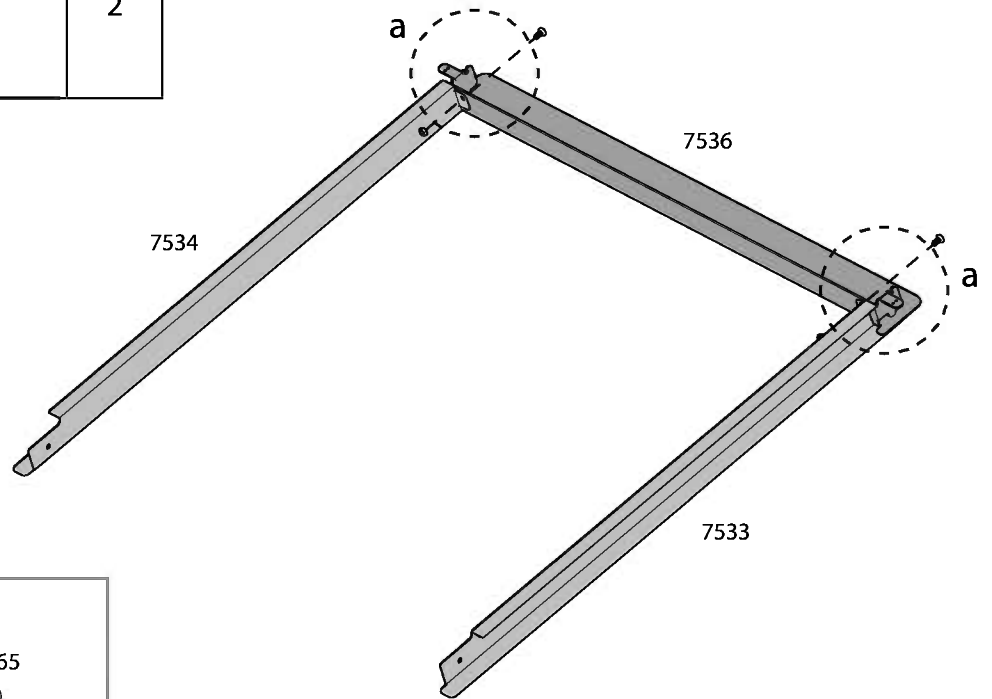
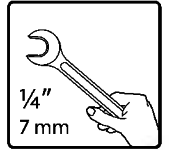


Item		Qty.
989		1
991		1
4008		4
411	FOR HANDEL (99)	2

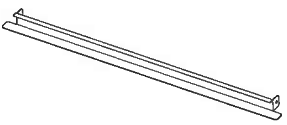




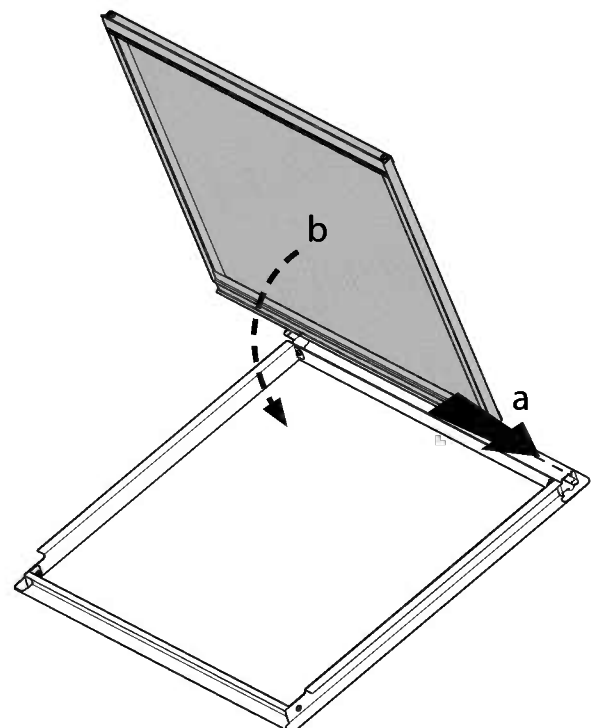
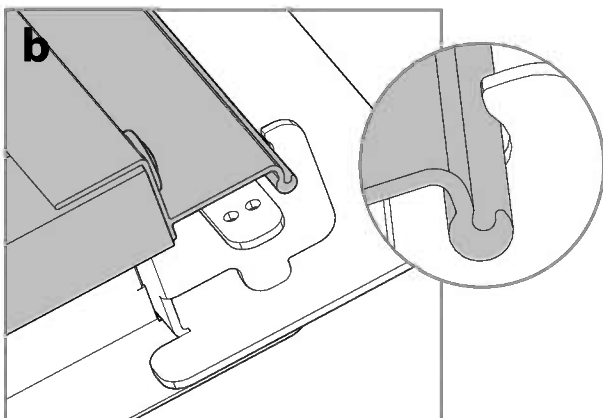
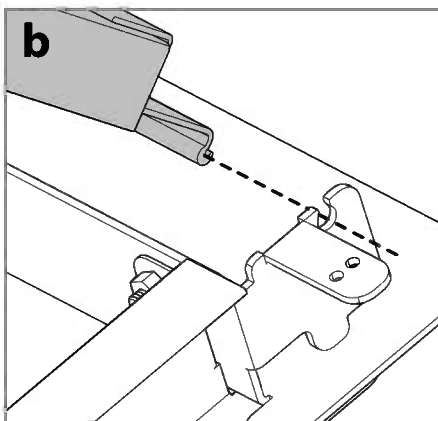
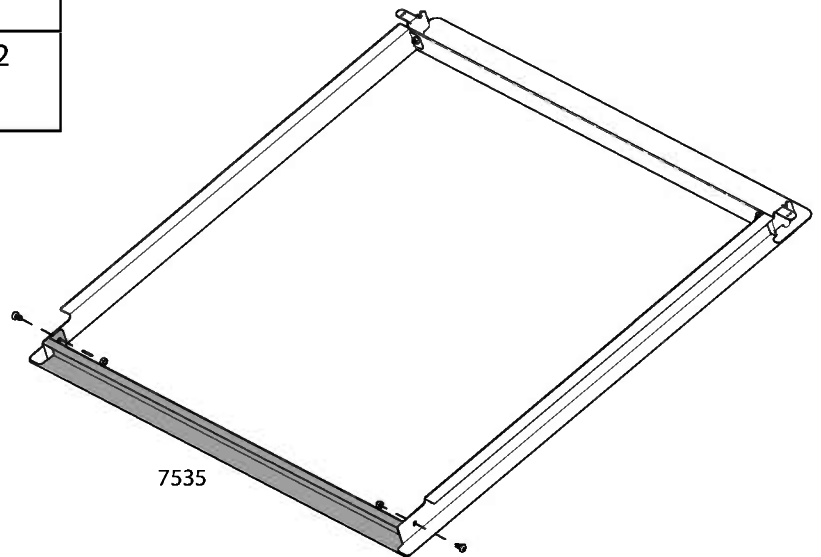
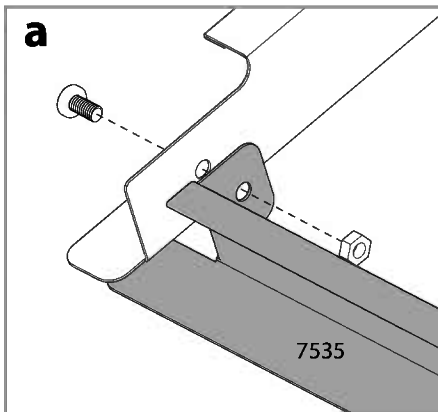
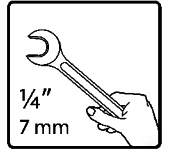


Item		Qty.
7536		1
7533		1
7534		1
465	M4x8mm	2
422	M4	2



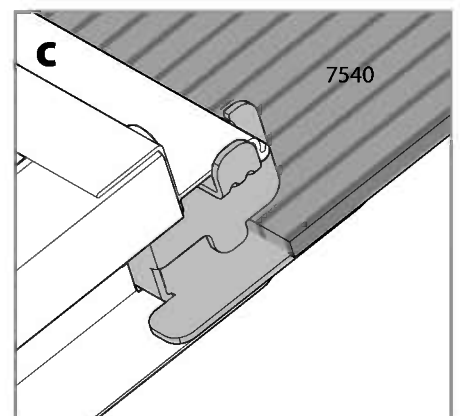
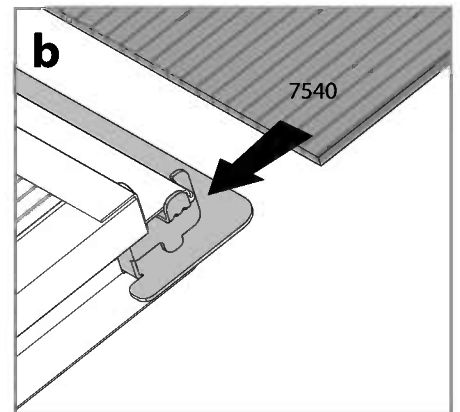
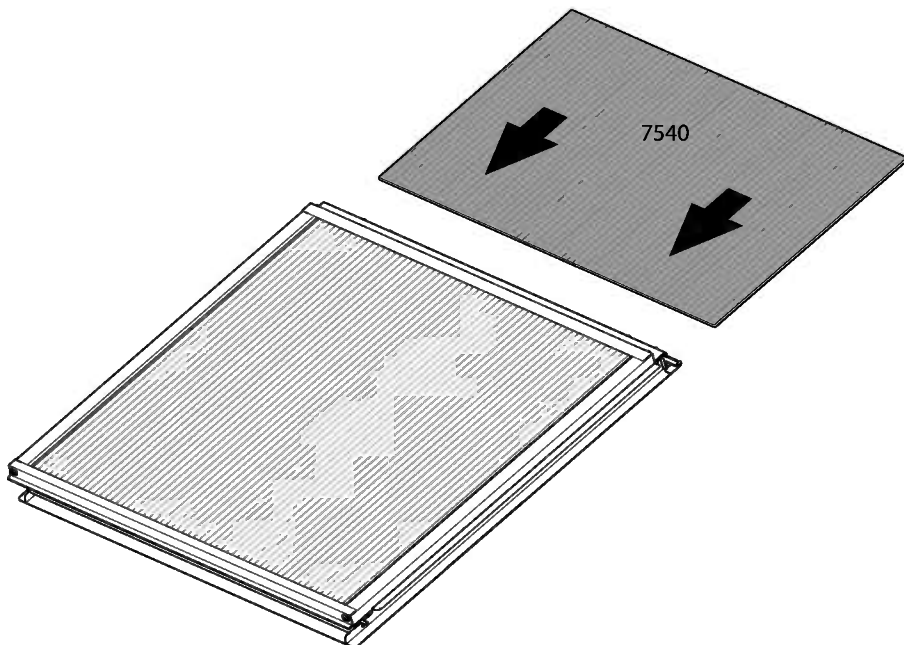
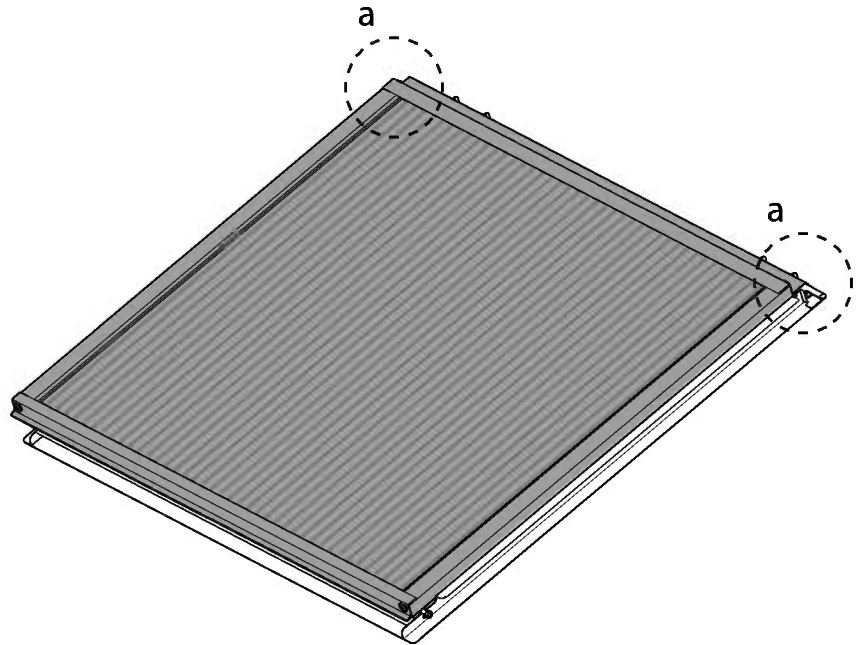
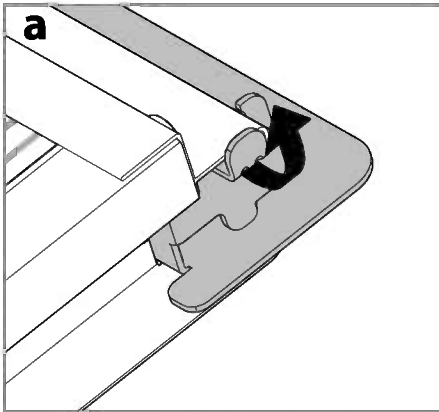
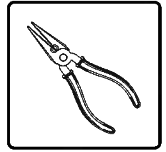


Item		Qty.
7535		1
465	 M4x8mm	2
422	 M4	2



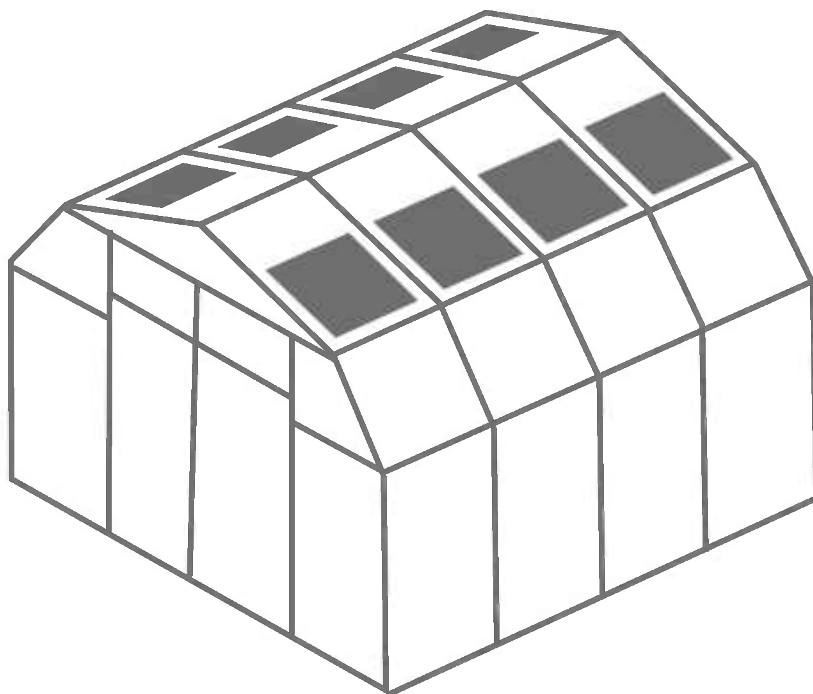
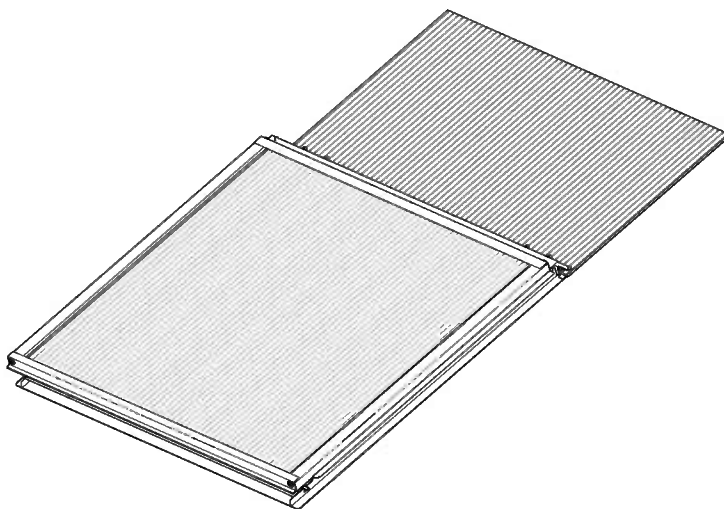


Item		Qty.
7540		1

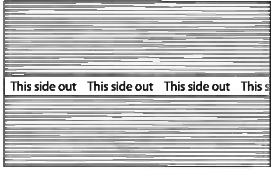


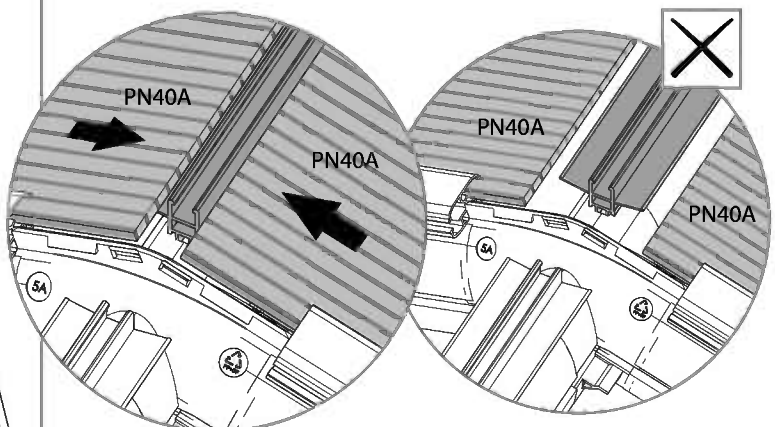
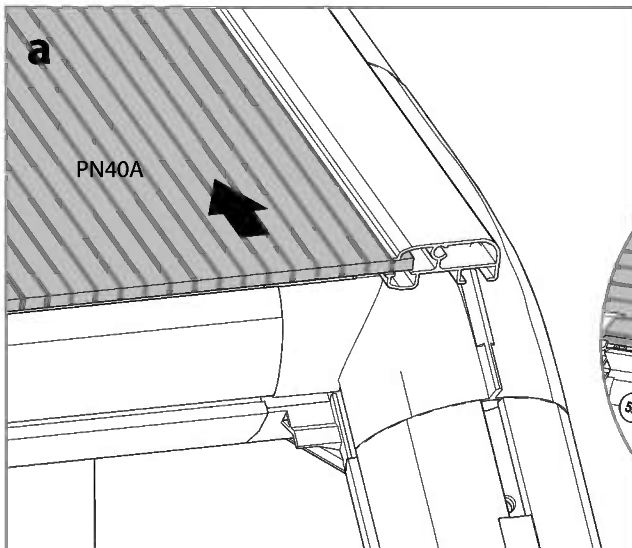
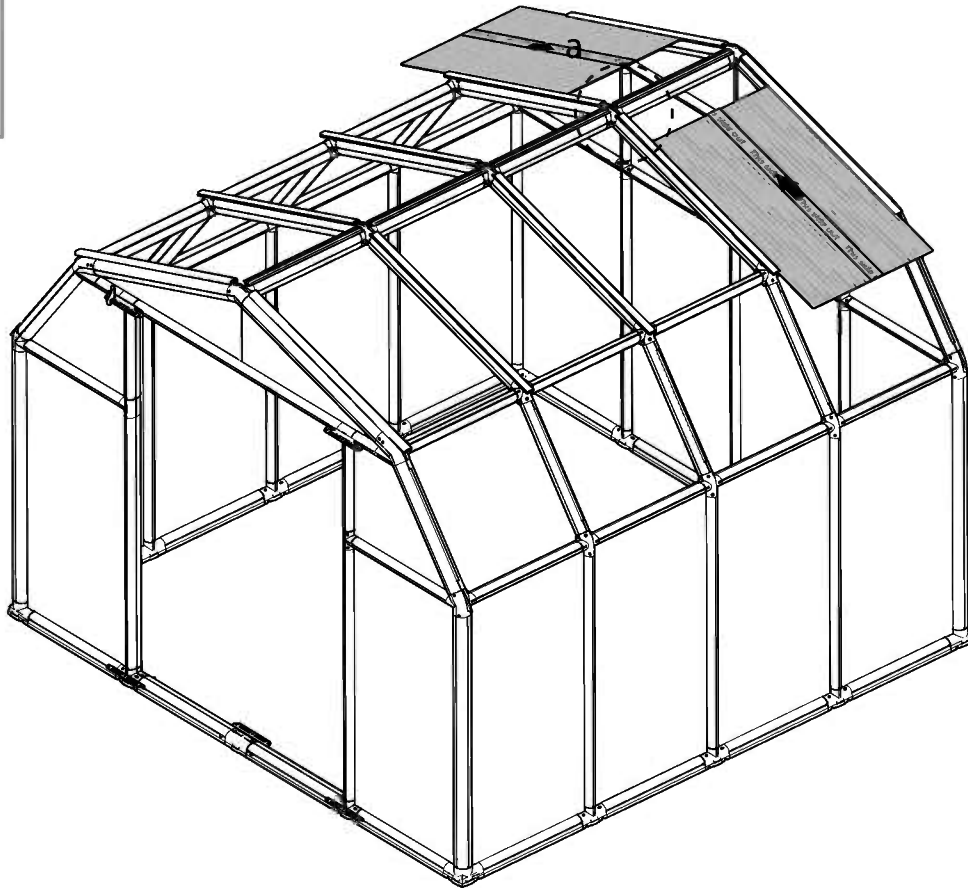
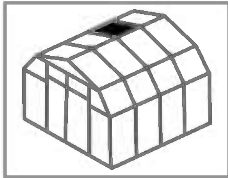


- EN** Windows Location
- DE** Fenster Standort
- FR** Fenêtre Emplacement
- ES** Ventana Ubicación

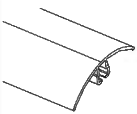



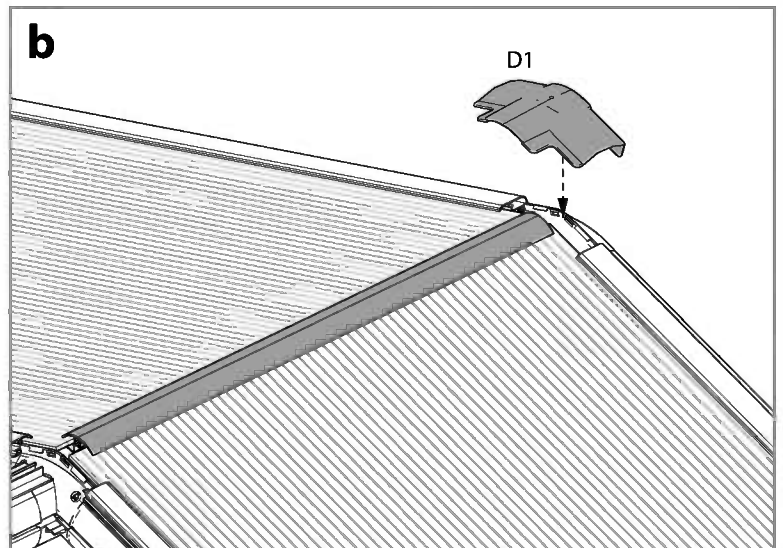
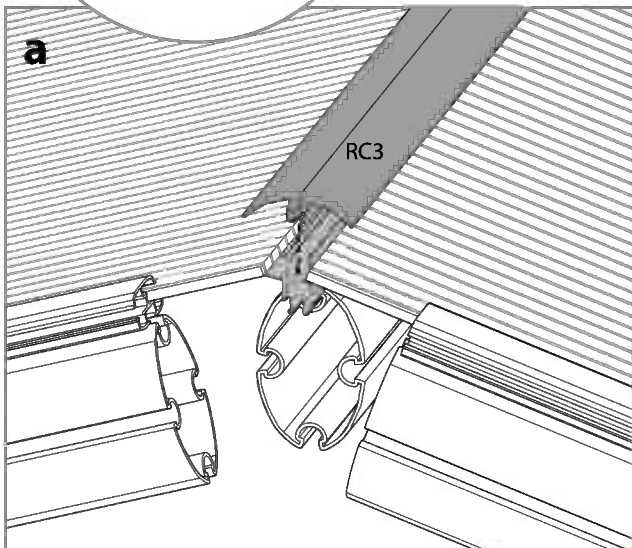
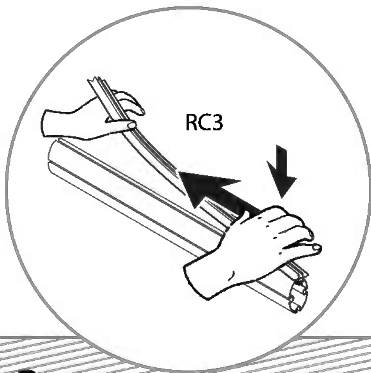
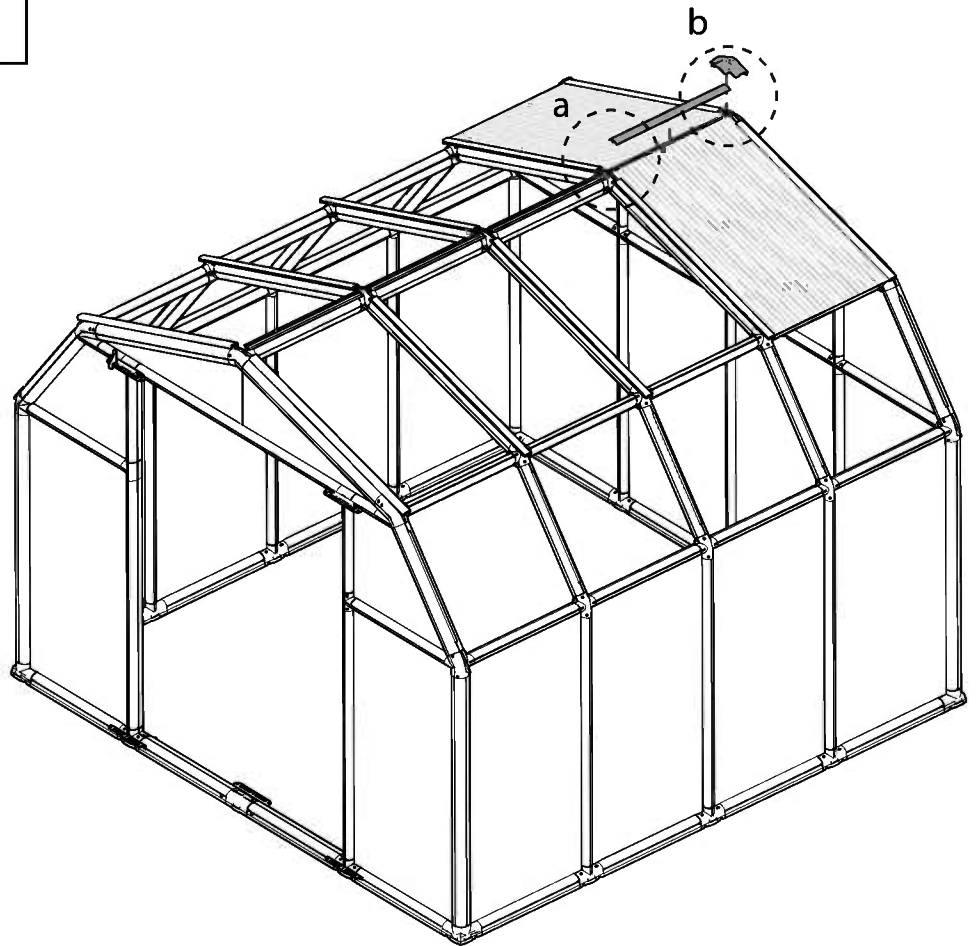
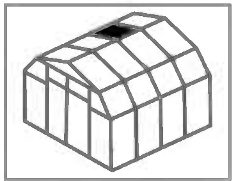


Item		Qty.
PN40A		2

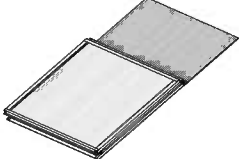


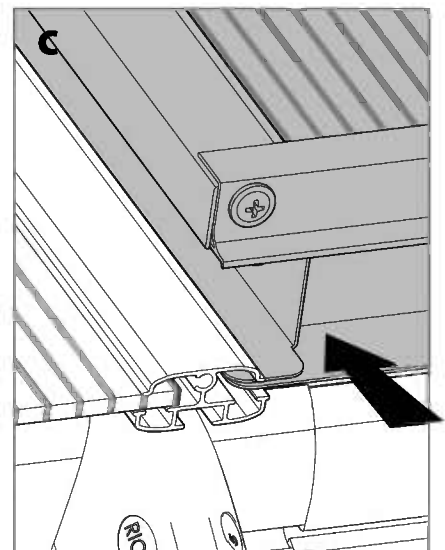
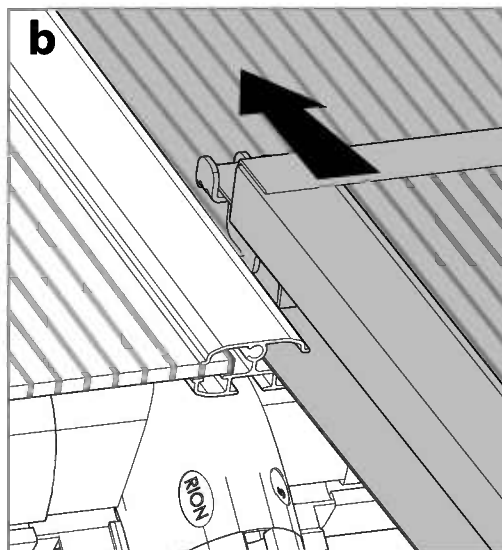
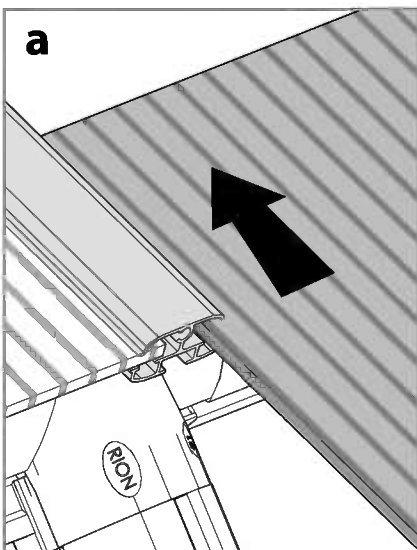
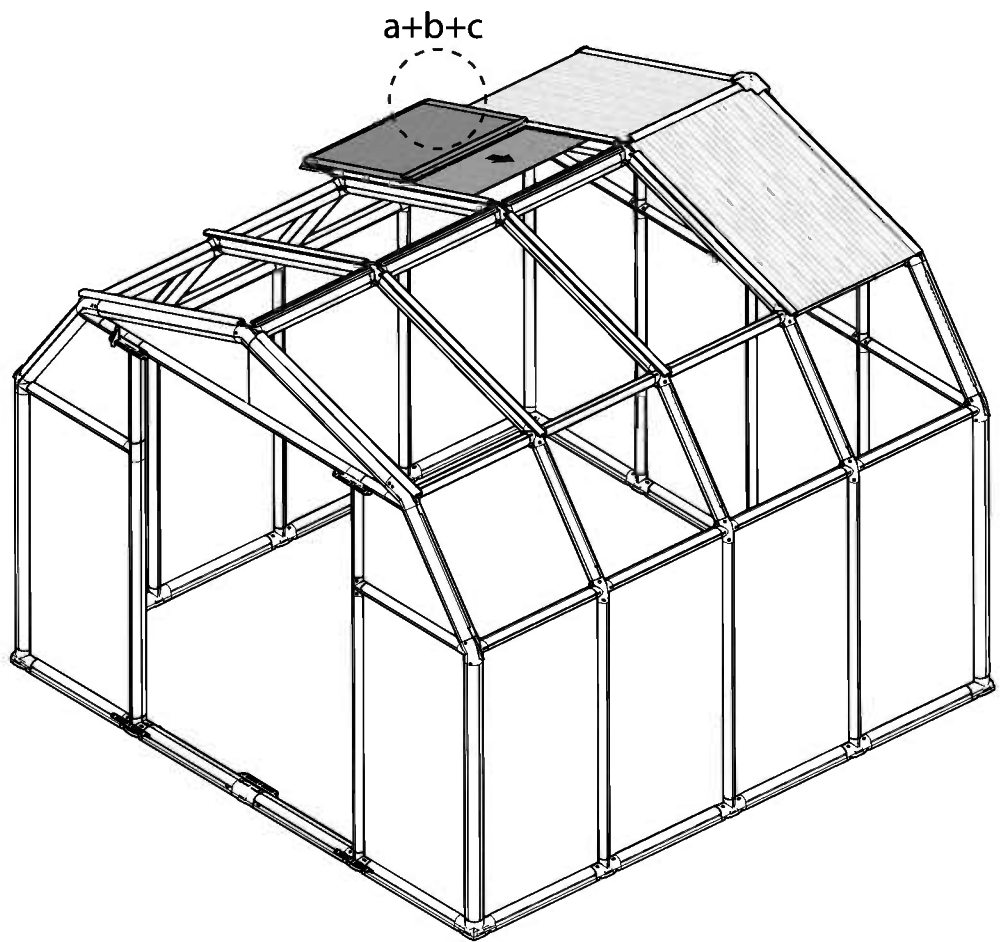
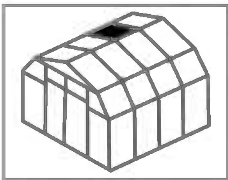


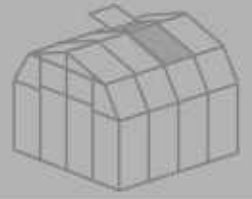
Item		Qty.
RC3		1
D1		1

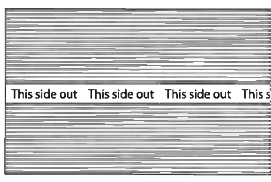


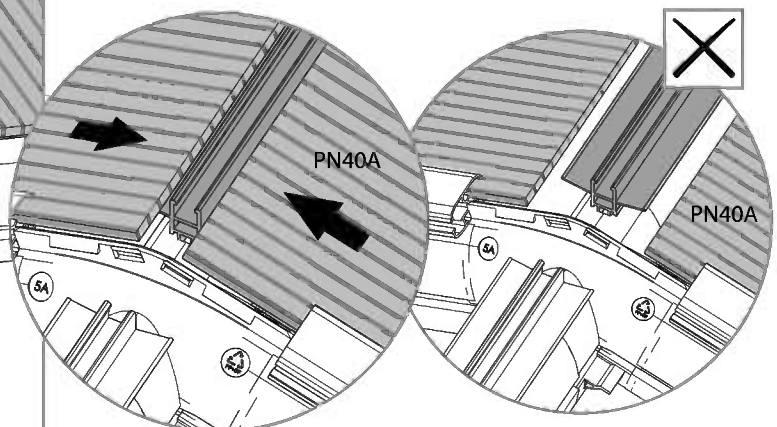
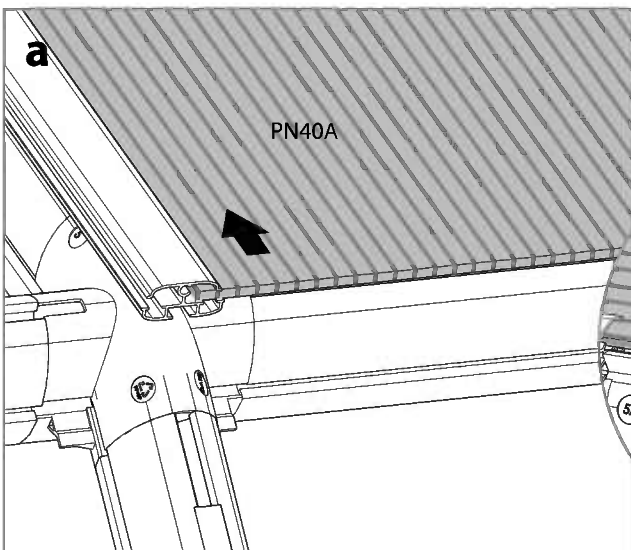
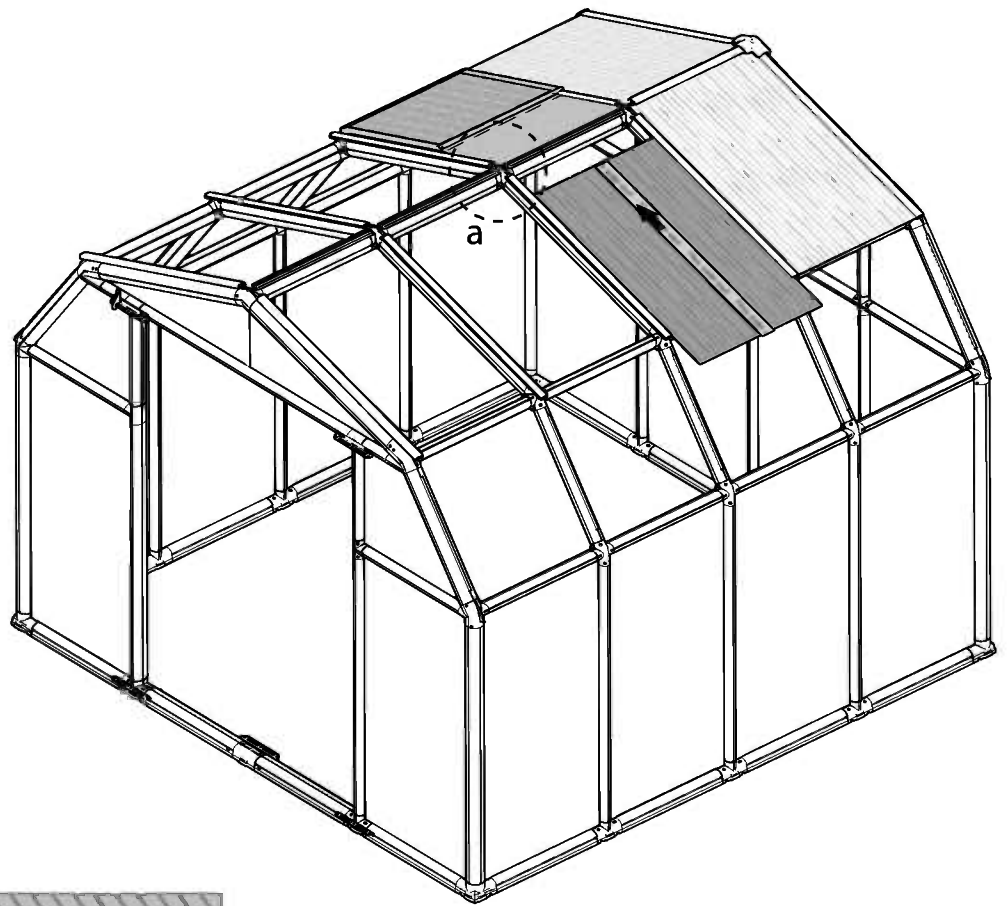
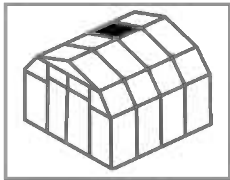


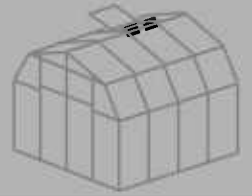
Item		Qty.
Window		1

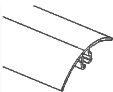
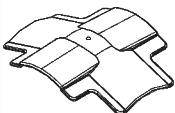


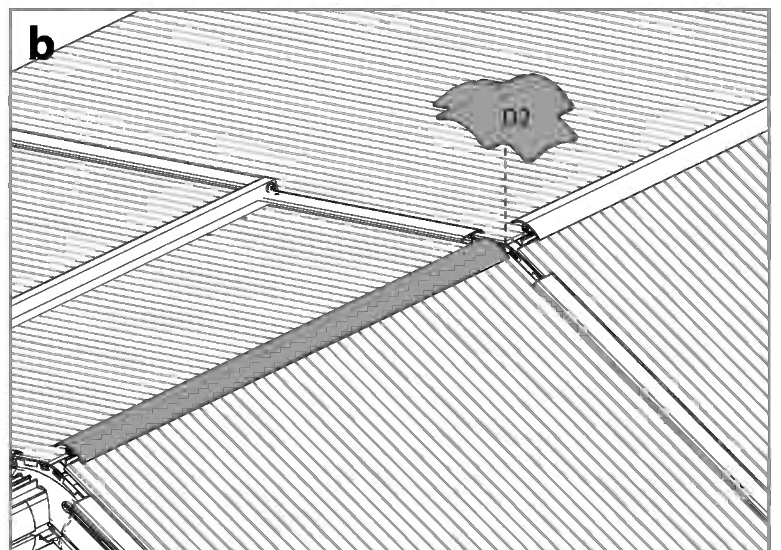
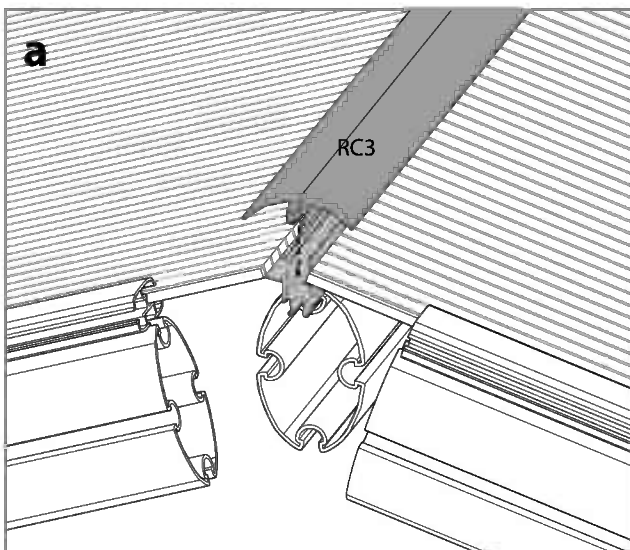
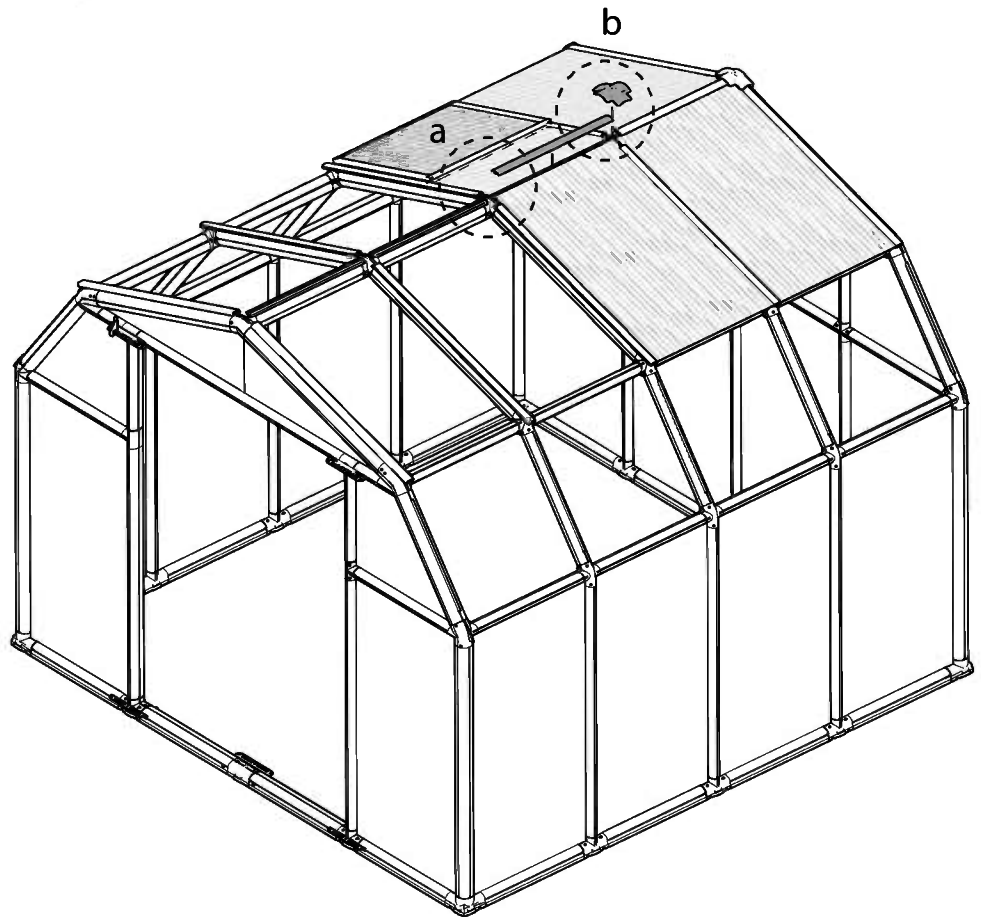
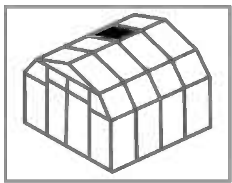


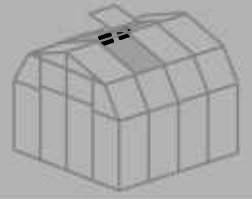
Item		Qty.
PN40A		1

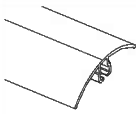
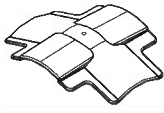
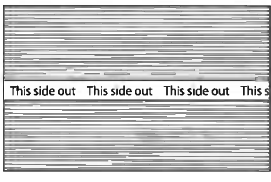


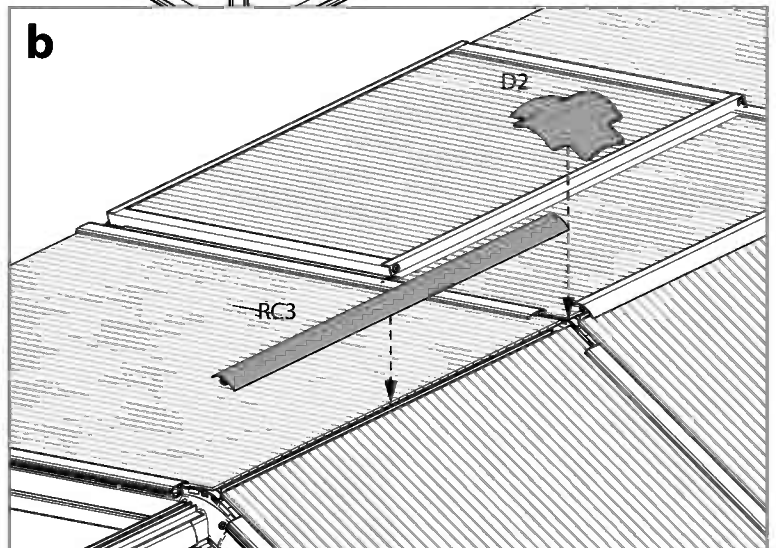
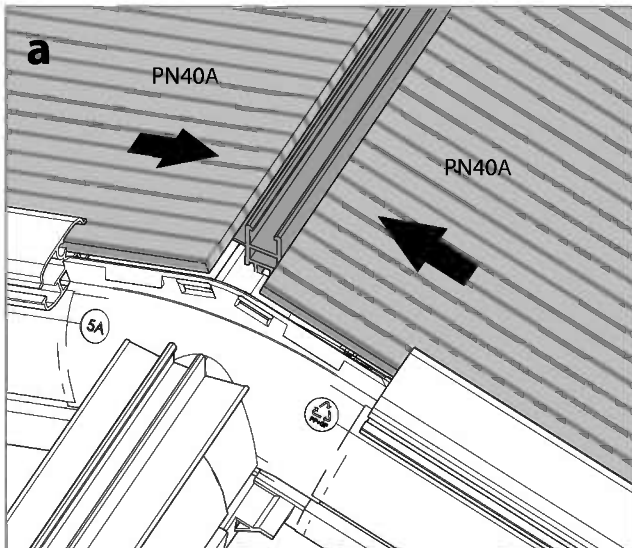
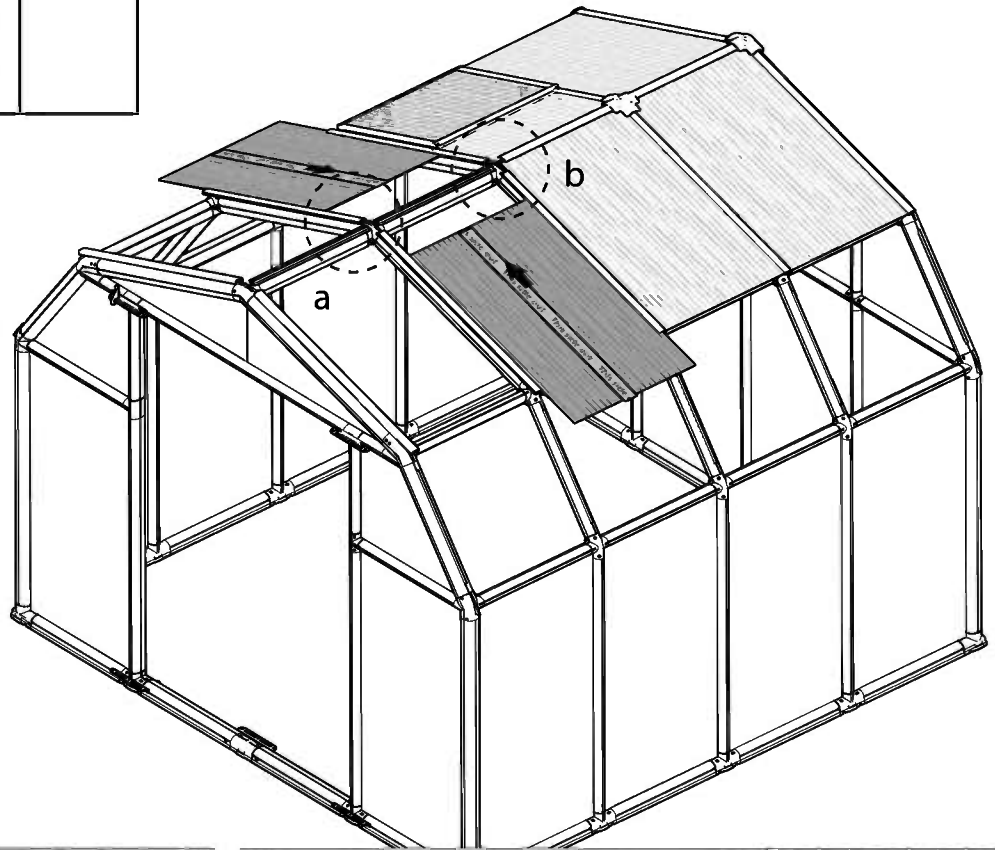
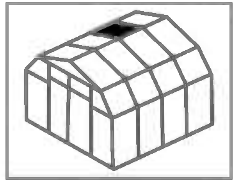


Item		Qty.
RC3		1
D2		1

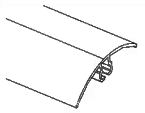
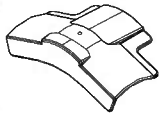
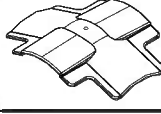
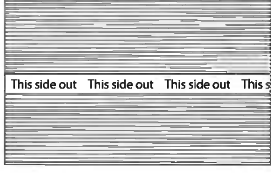


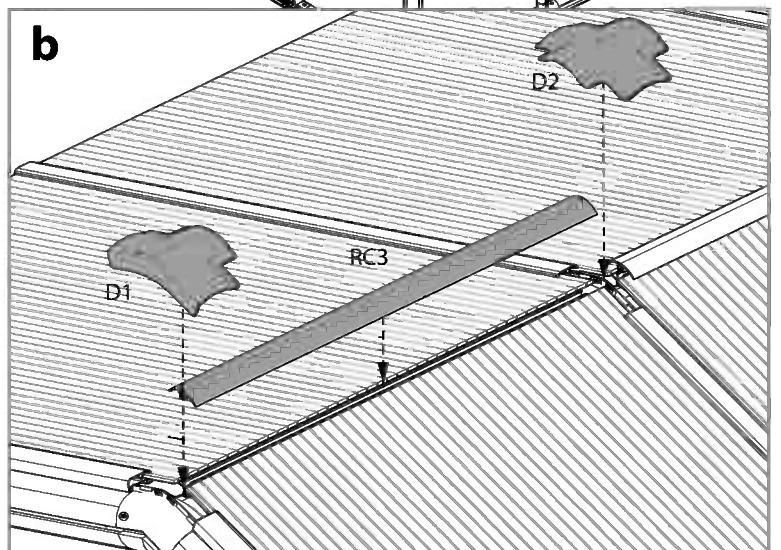
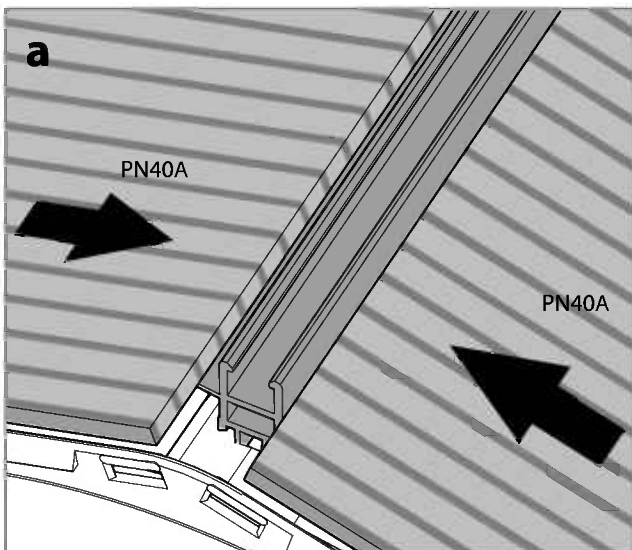
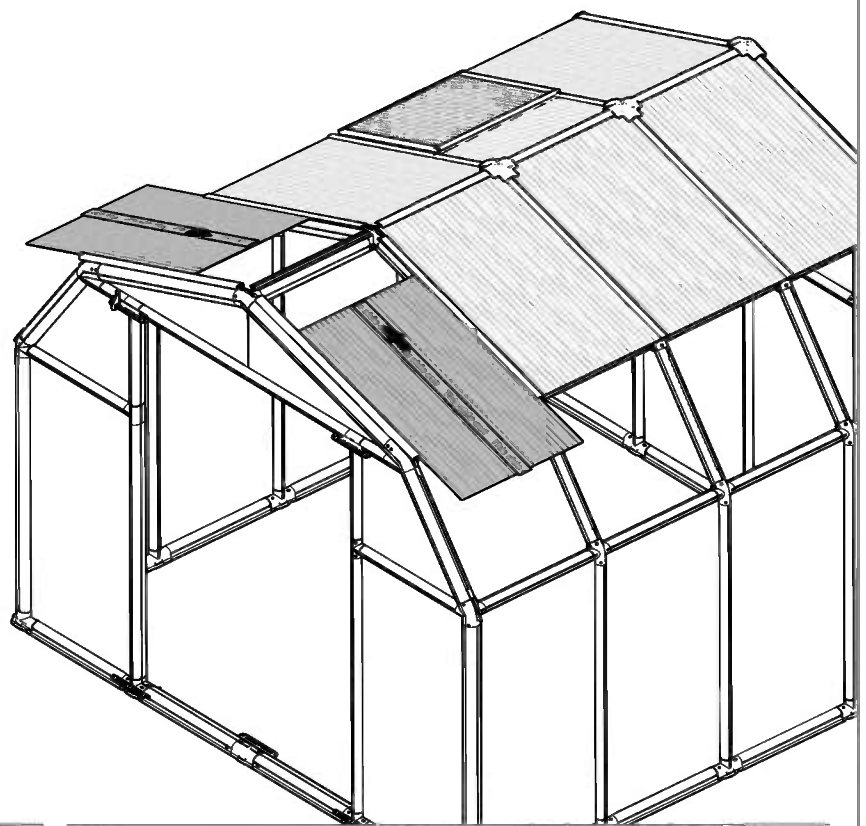
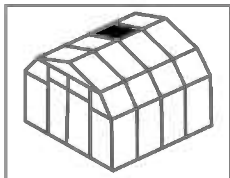


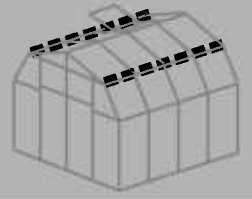
Item		Qty.
RC3		1
D2		1
PN40A		2



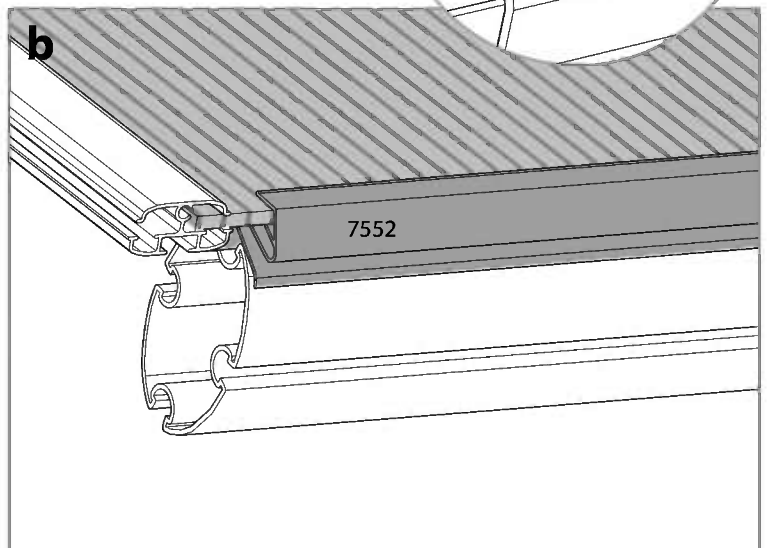
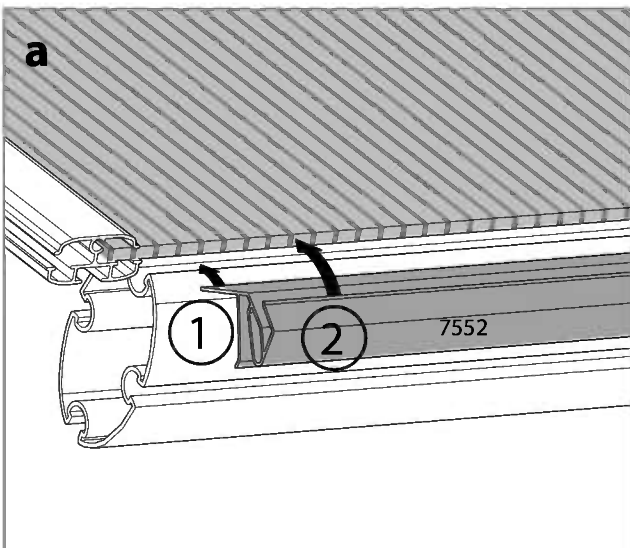
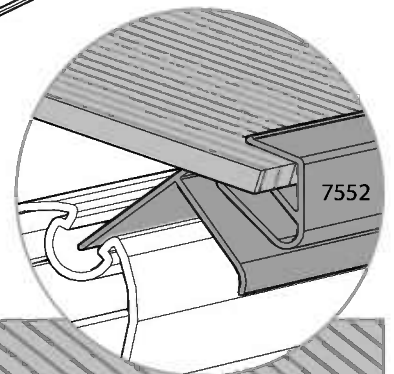
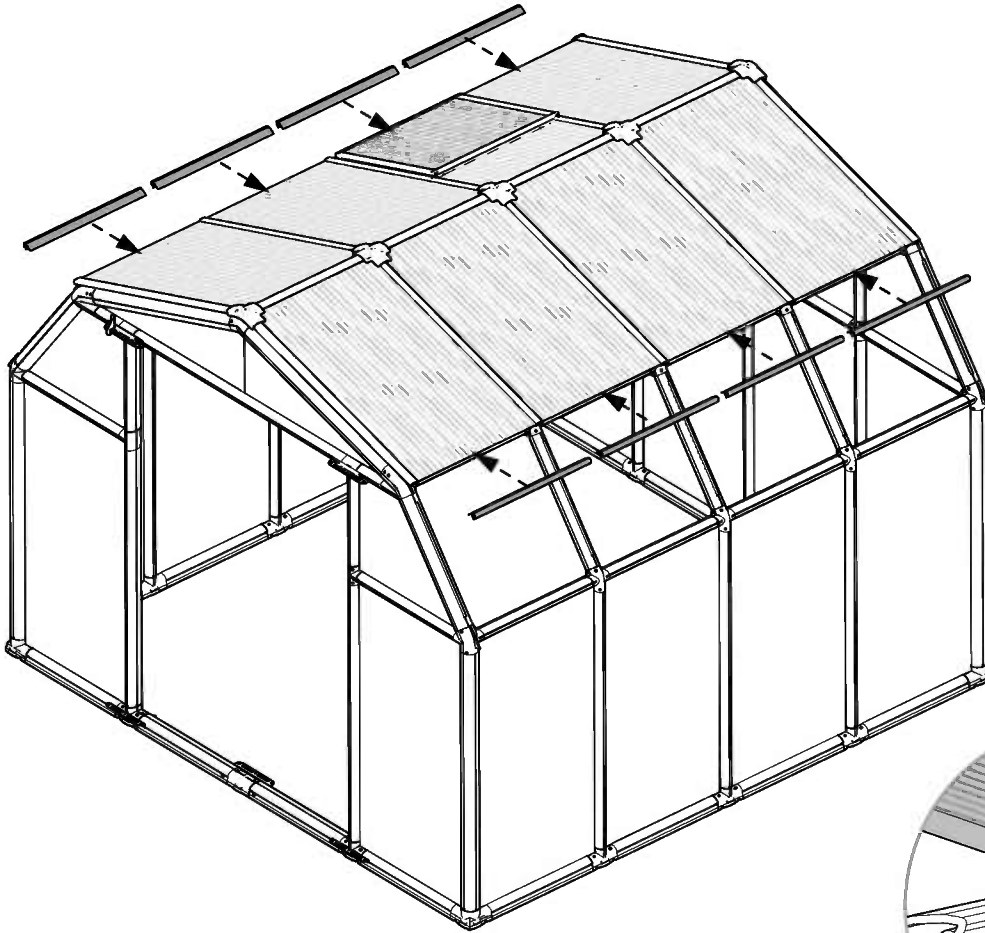


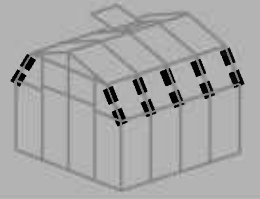
Item		Qty.
RC3		1
D1		1
D2		1
PN40A		2



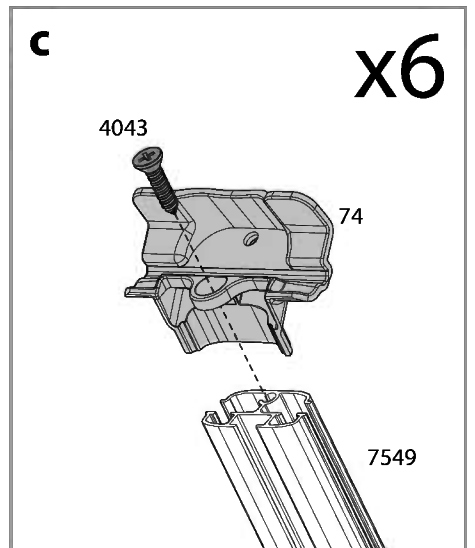
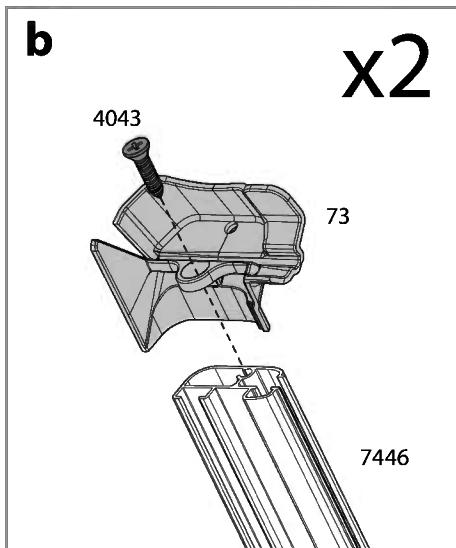
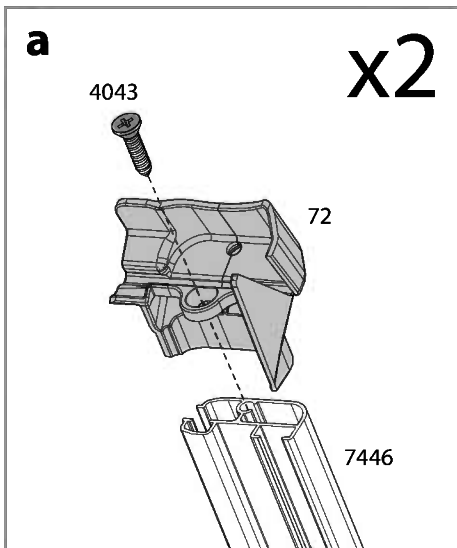
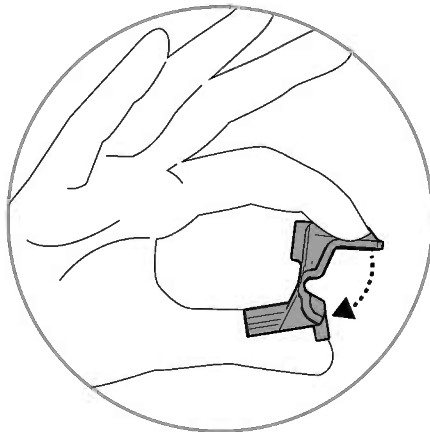
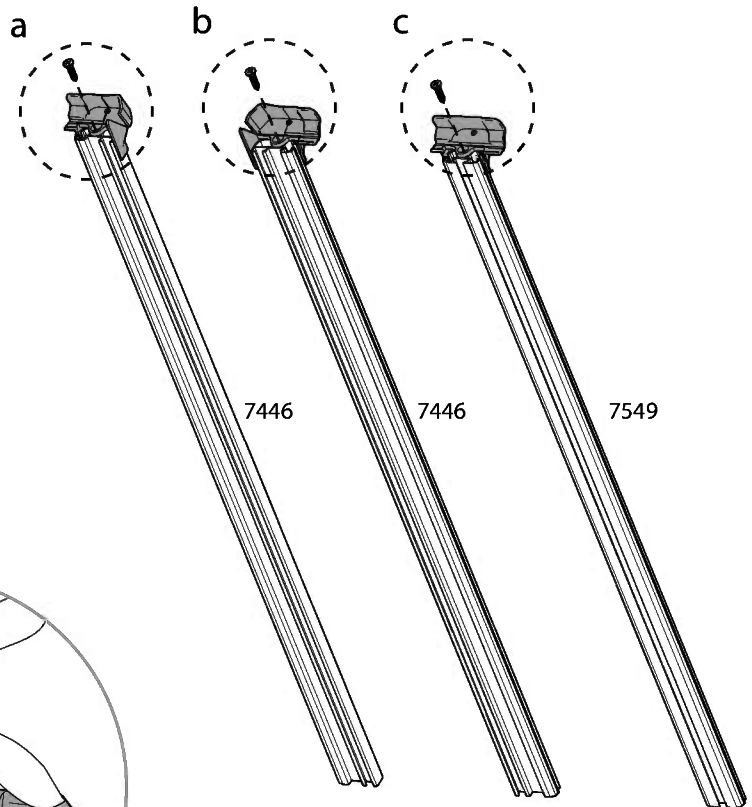
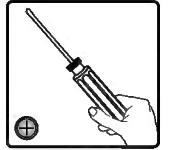


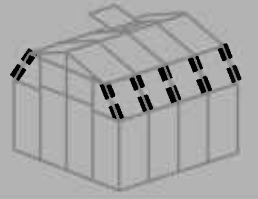
Item		Qty.
7552		8




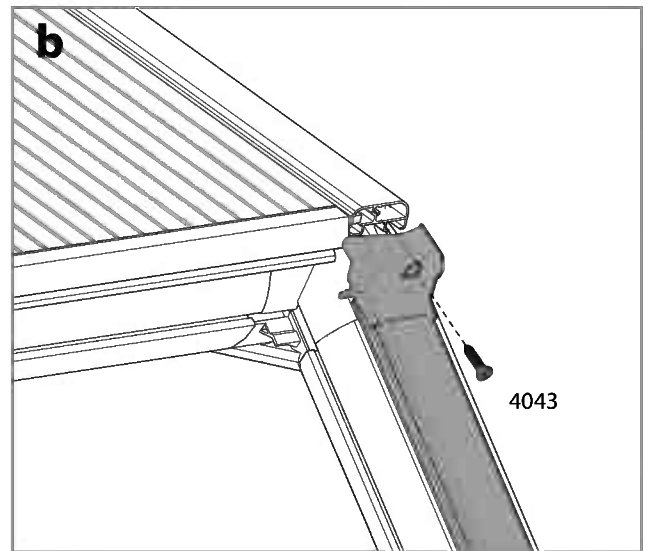
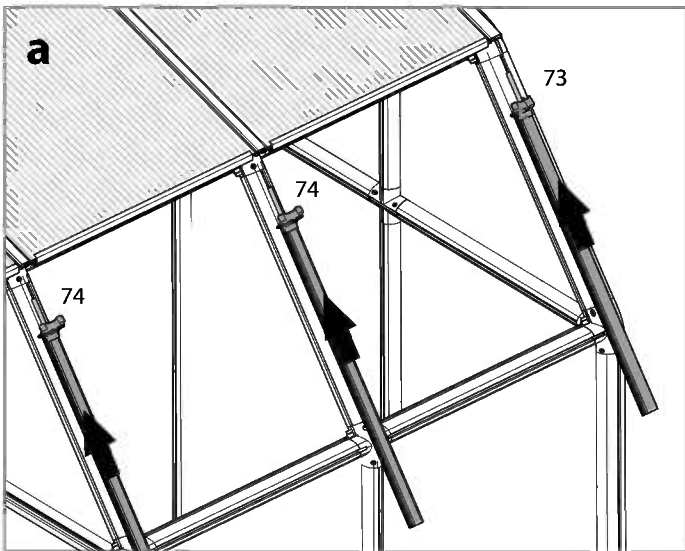
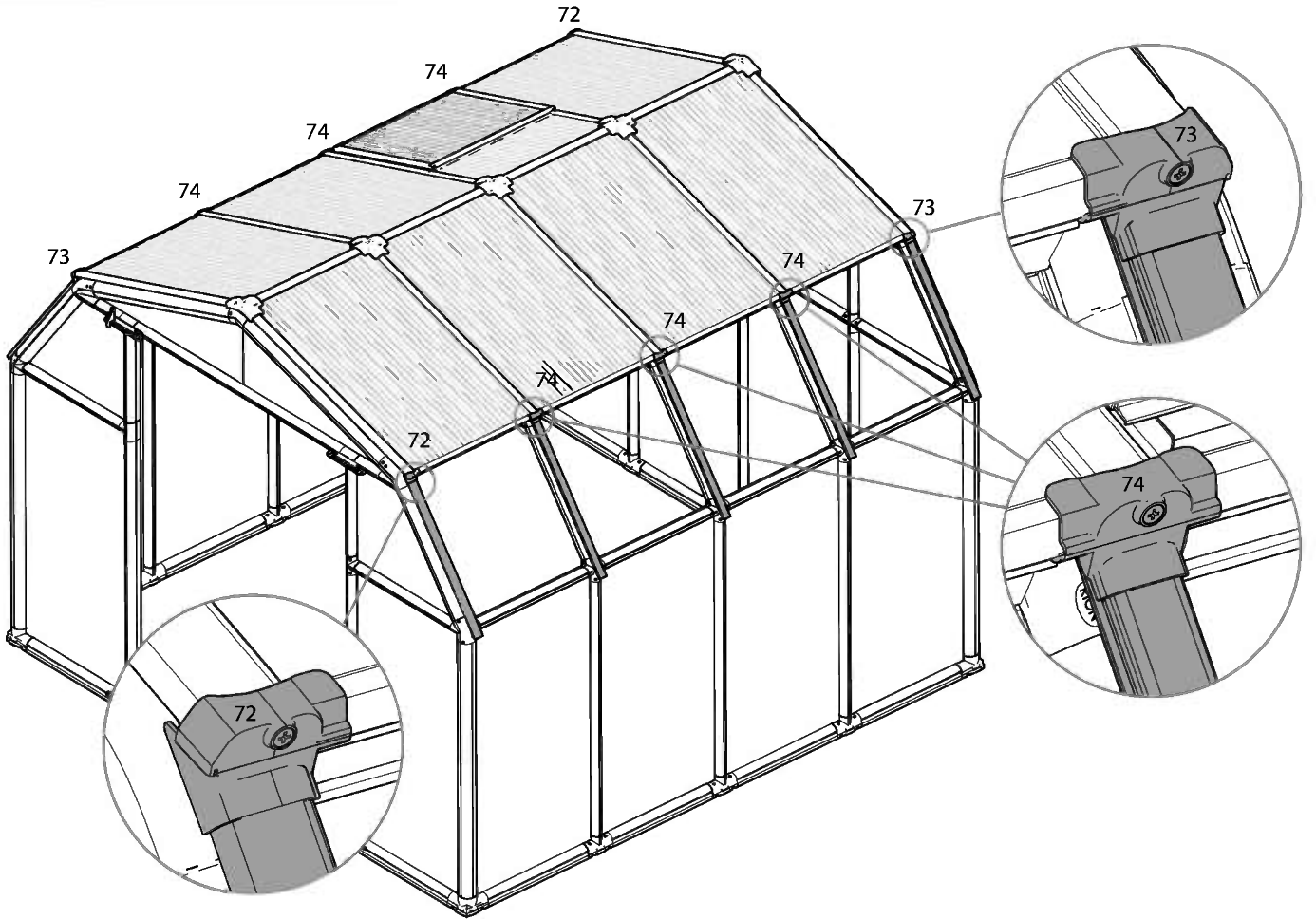
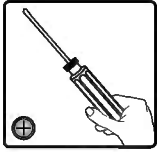


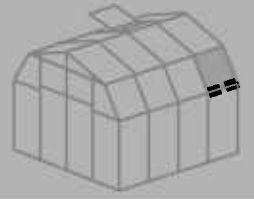
Item		Qty.
72		2
73		2
74		6
7446		4
7549		6
4043		10

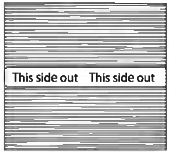

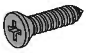



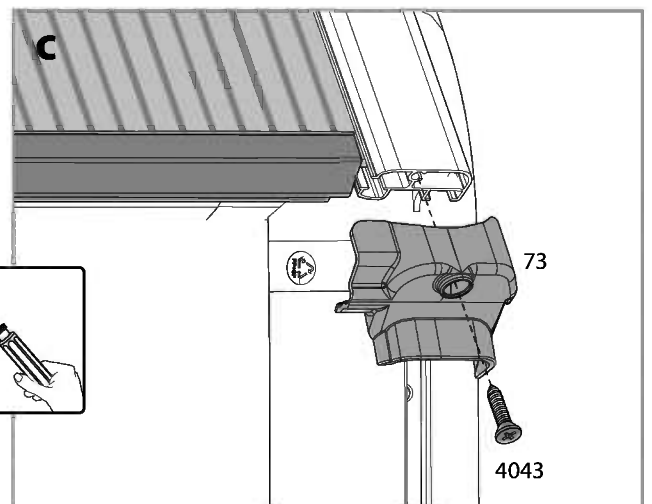
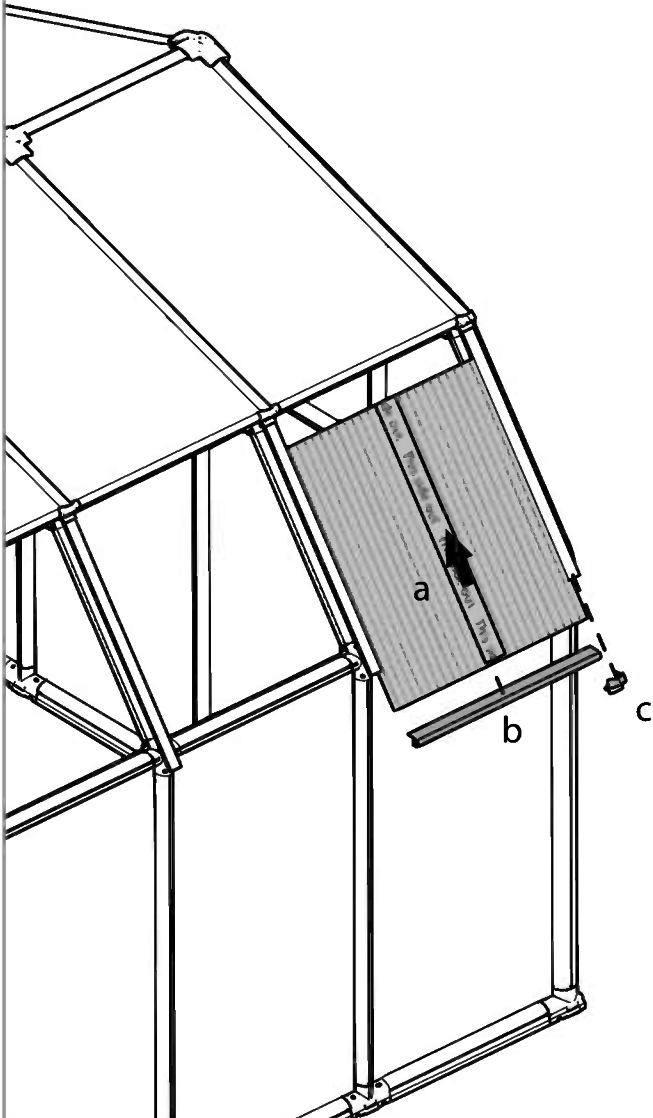
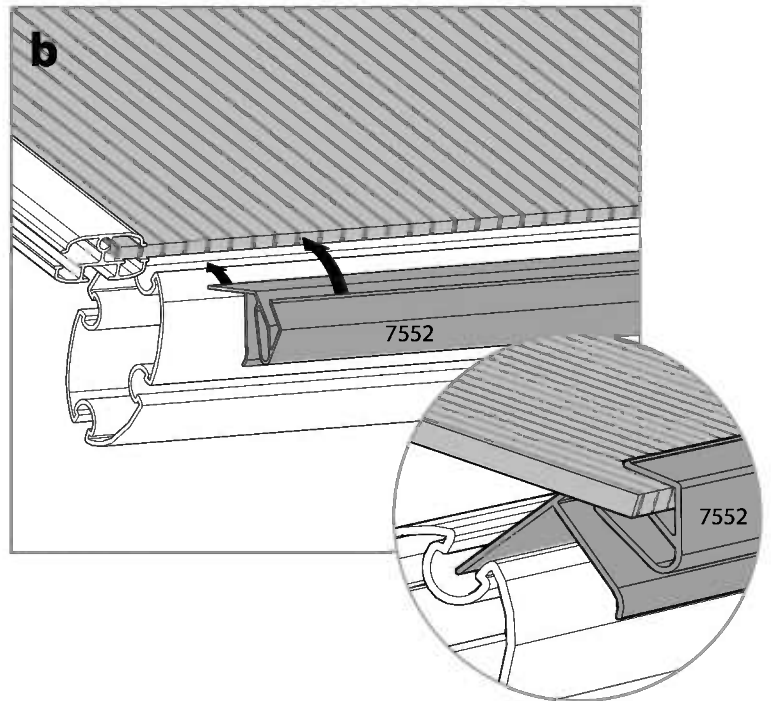
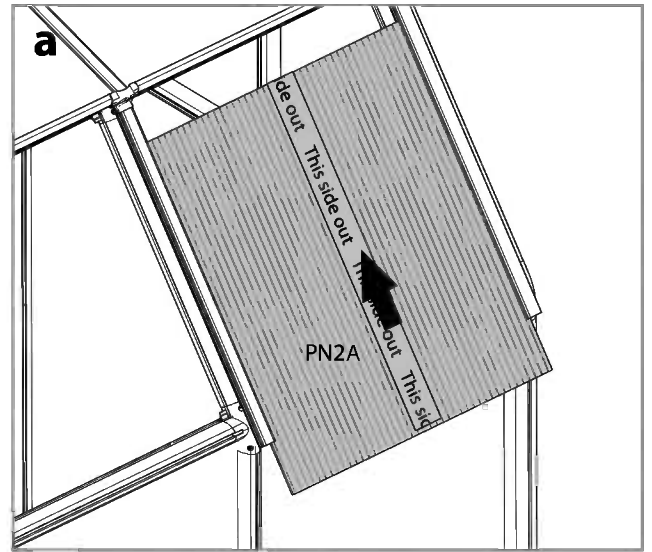


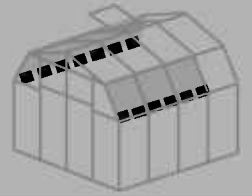
Item		Qty.
4043		10

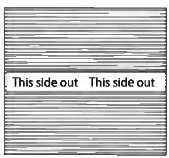
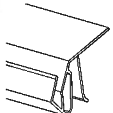




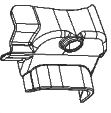
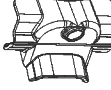


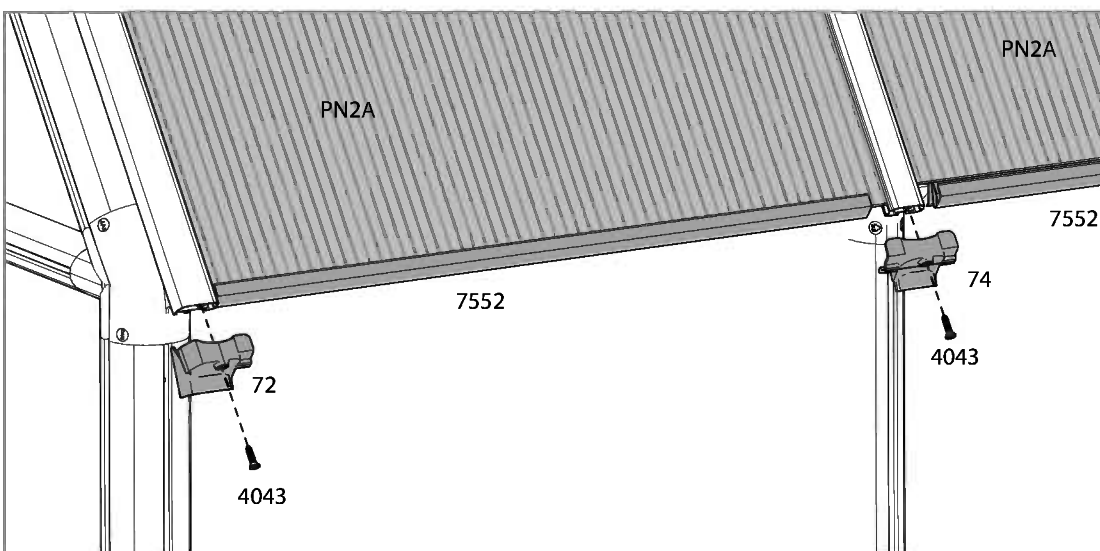
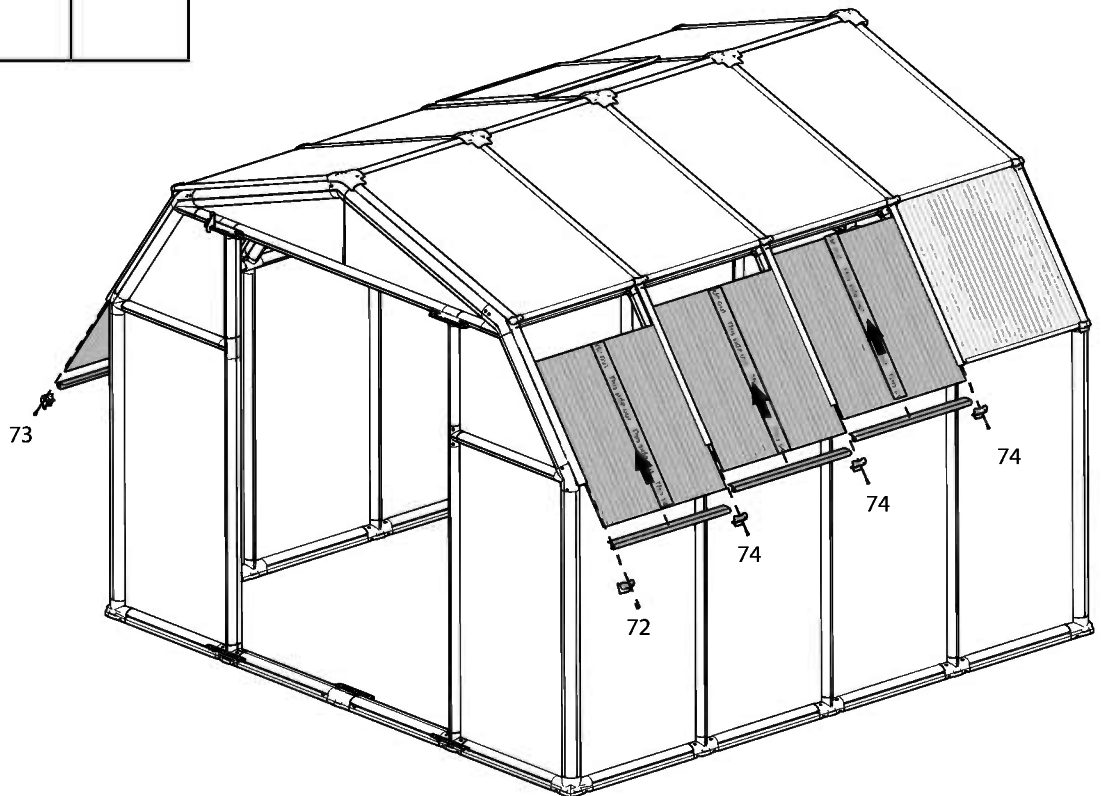
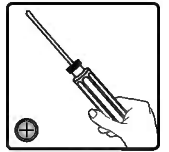
Item		Qty.
PN2A		1
7552		1
4043		1
73		1

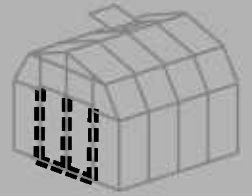




Item		Qty.
PN2A		7
7552		7
4043		9

Item		Qty.
72		2
73		1
74		6

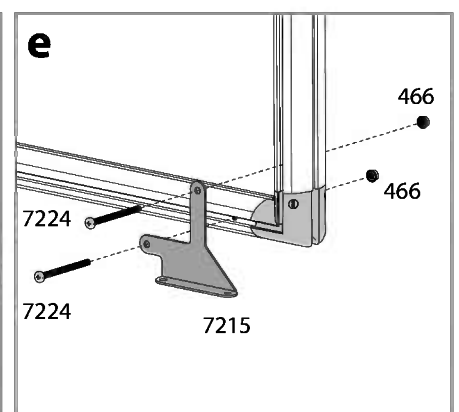
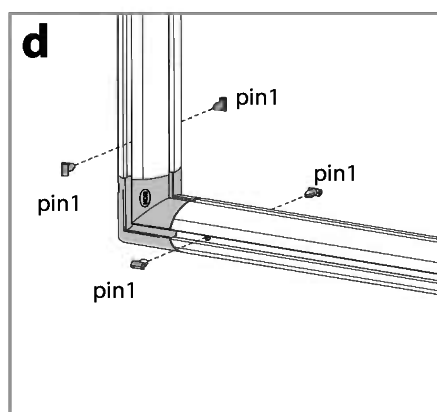
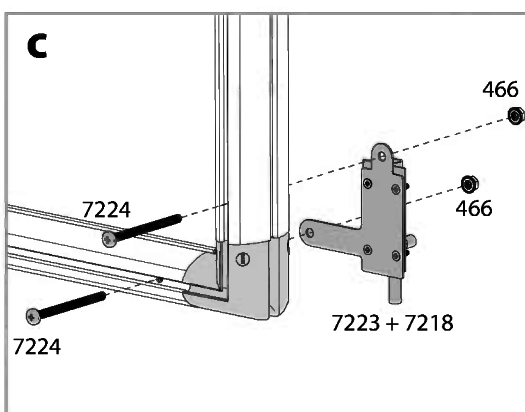
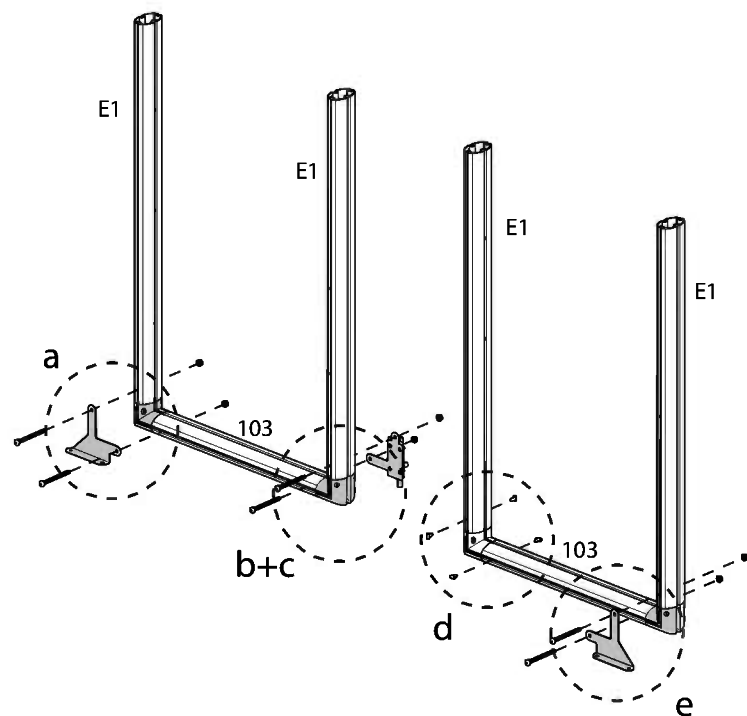
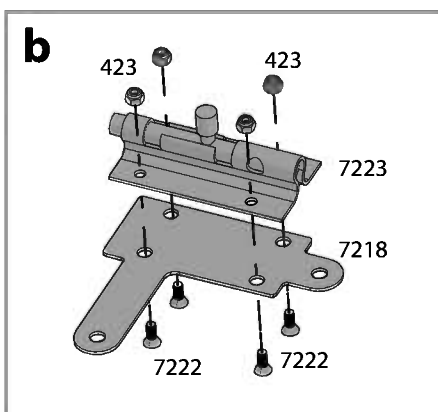
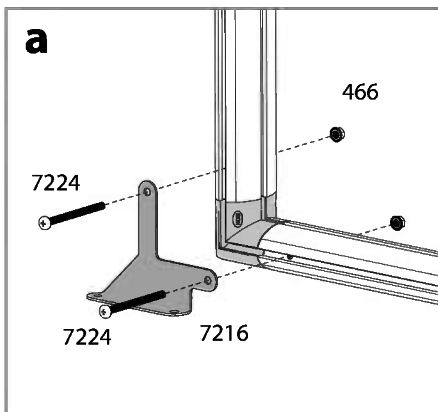
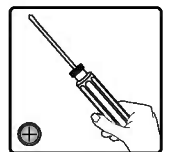
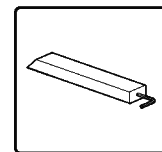




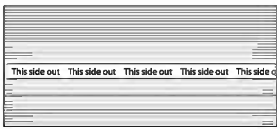
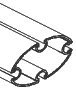
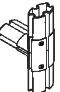
Item		Qty.
E1		4
E103		2
18		4
7223		1

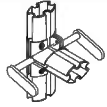

Item		Qty.
7218		1
466		6
7222		4
423		4

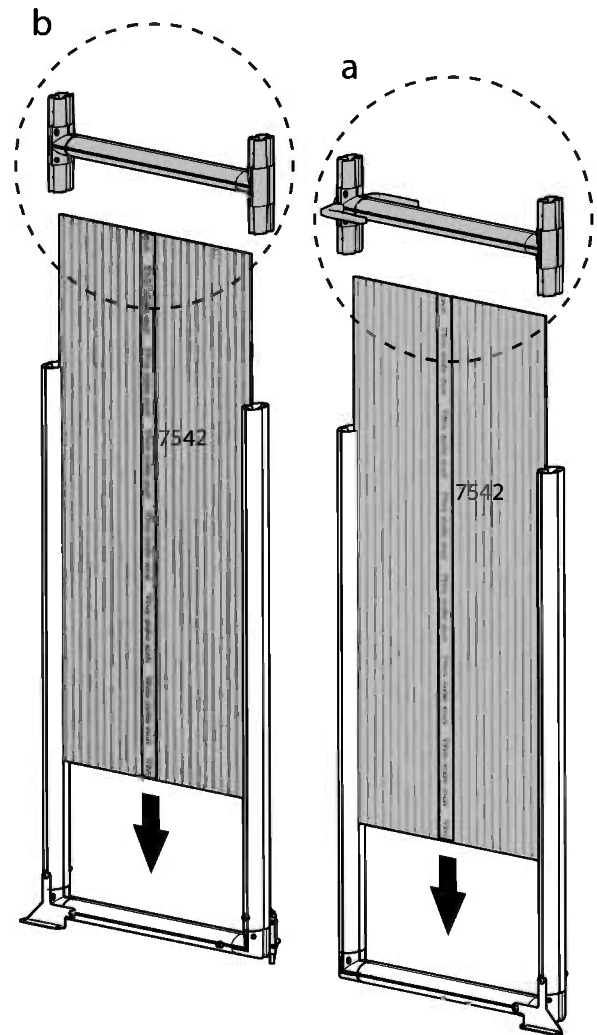
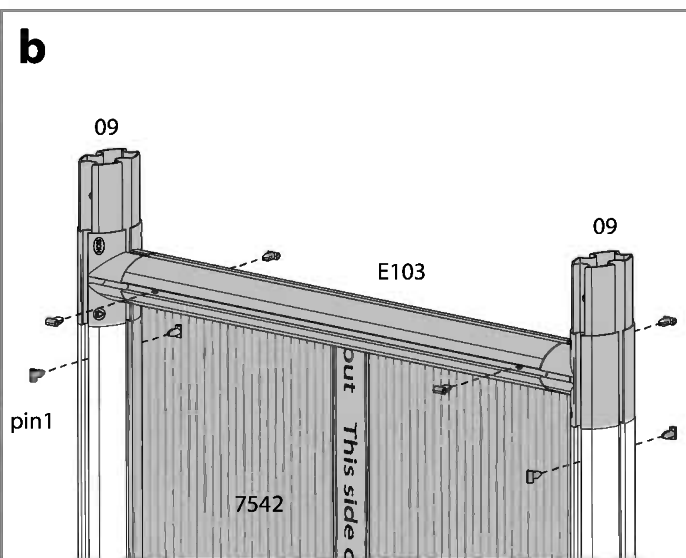
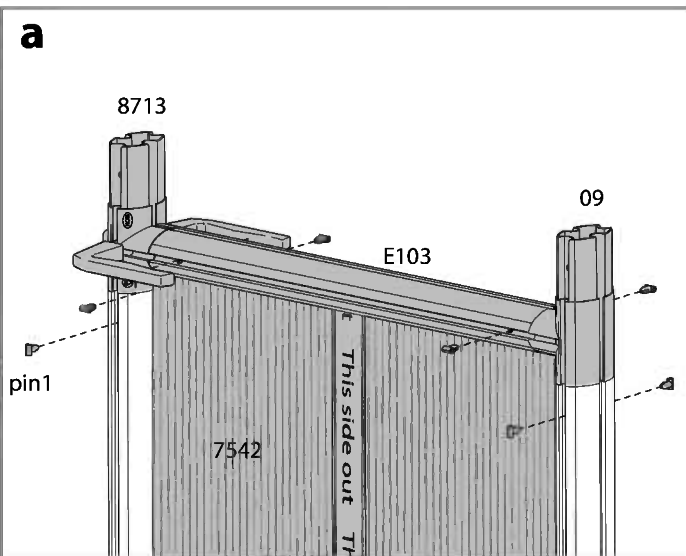
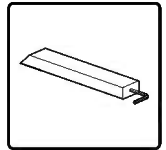
Item		Qty.
7224		6
7215		1
7216		1
pin1		4

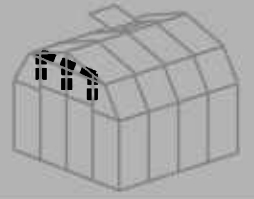




Item		Qty.
7542		2
E103		2
09		3

Item		Qty.
8713		1
pin1		16

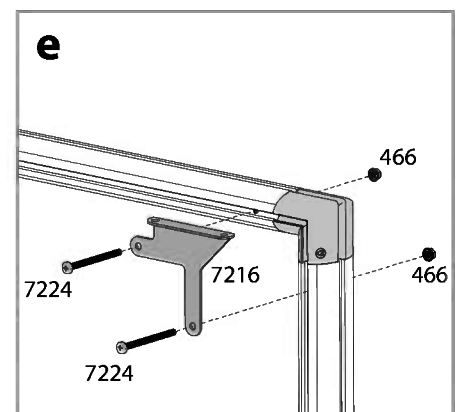
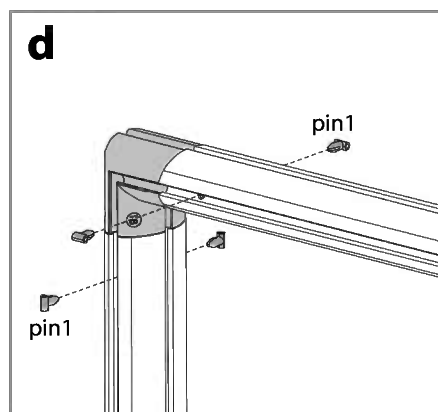
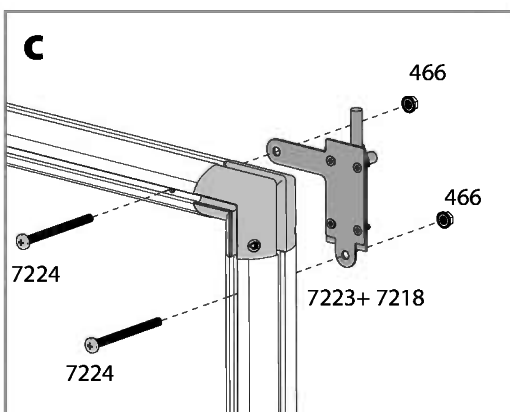
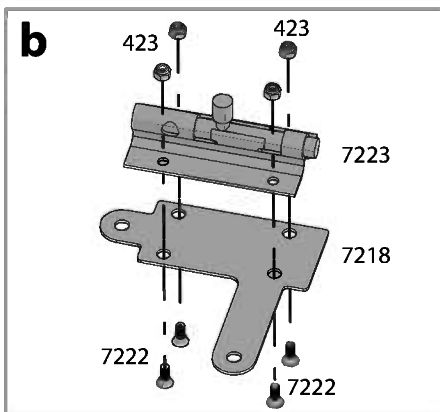
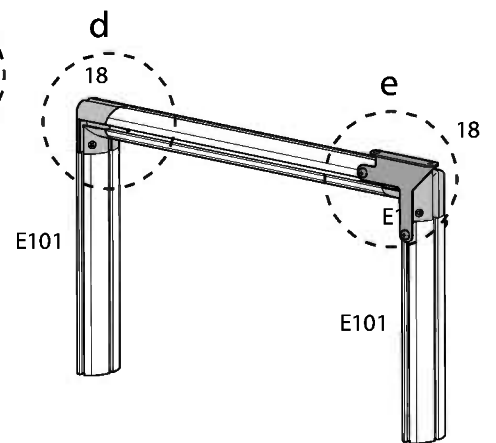
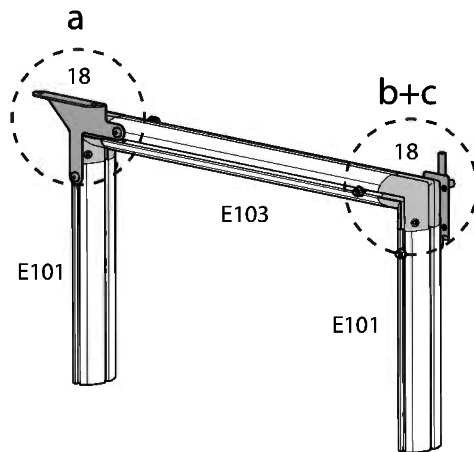
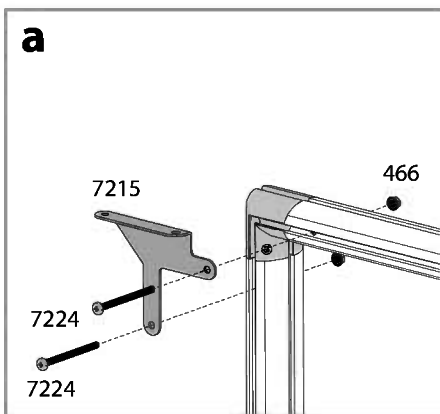
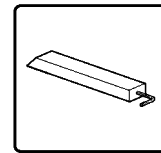




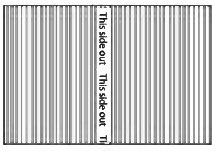
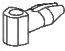
Item		Qty.
E101		4
E103		2
18		4
7223		1

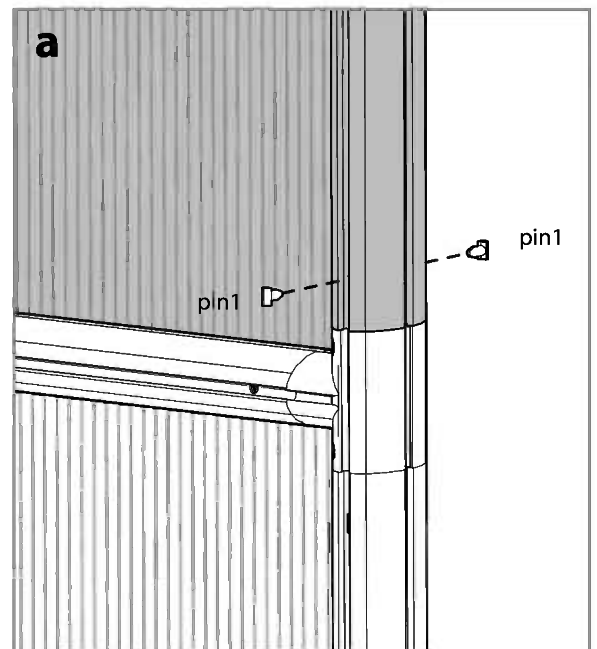
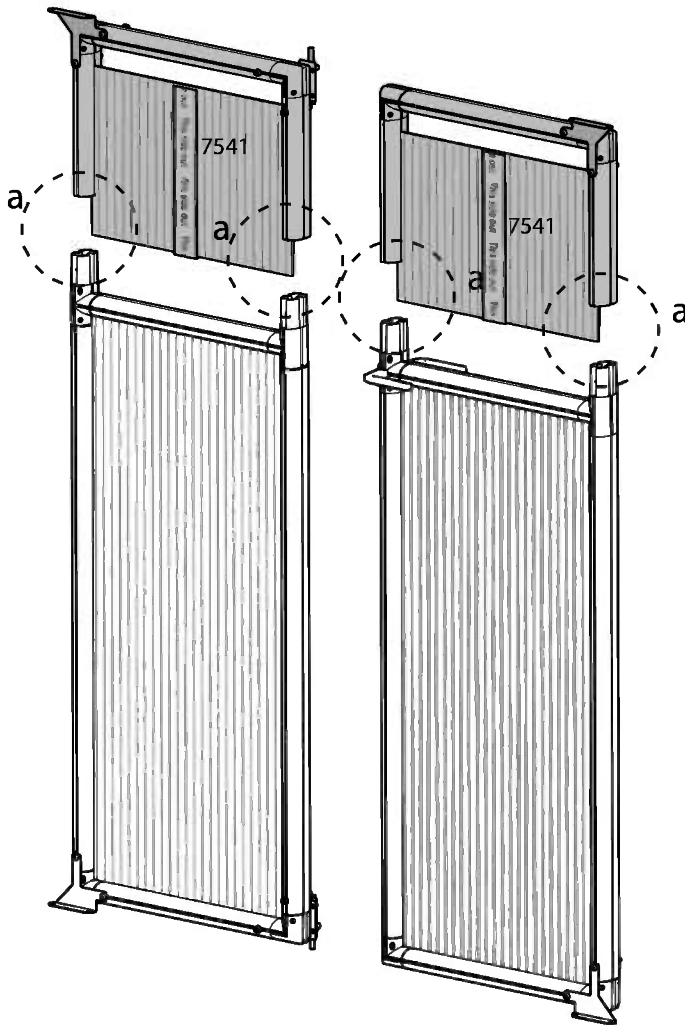
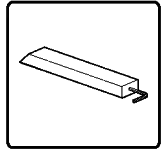
Item		Qty.
7218		1
466		6
7222		4
423		4
7224		6

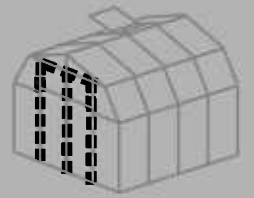
Item		Qty.
7215		1
7216		1
pin1		4




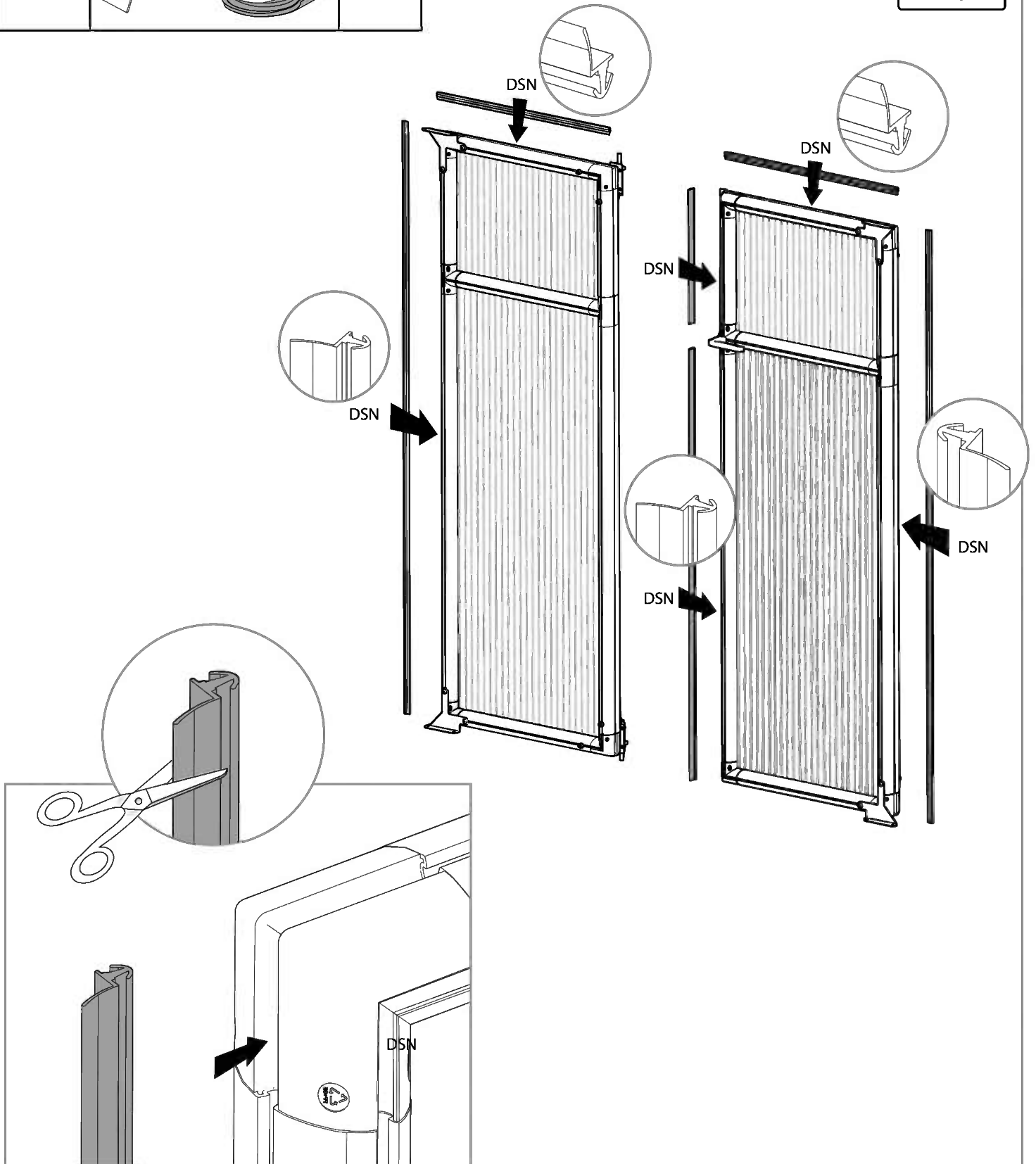
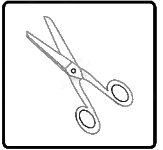


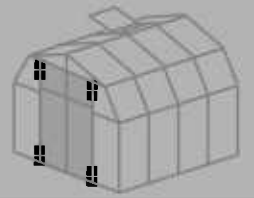
Item		Qty.
7541		2
pin1		8

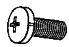




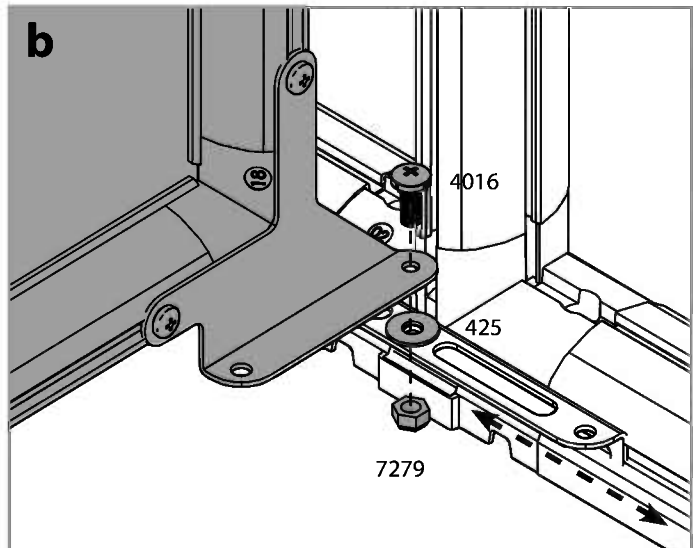
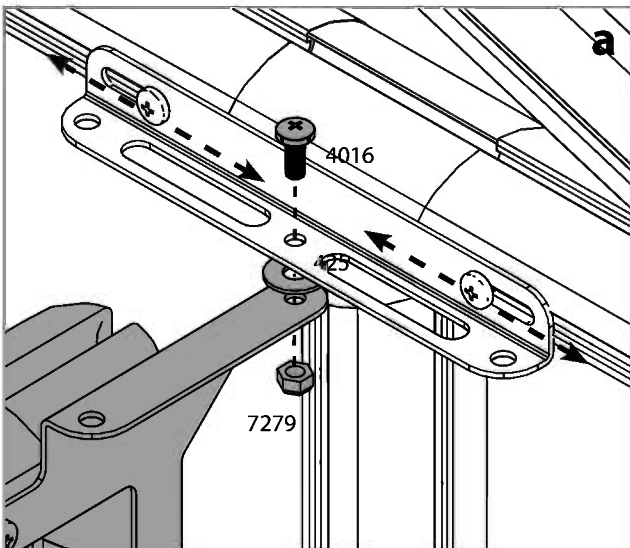
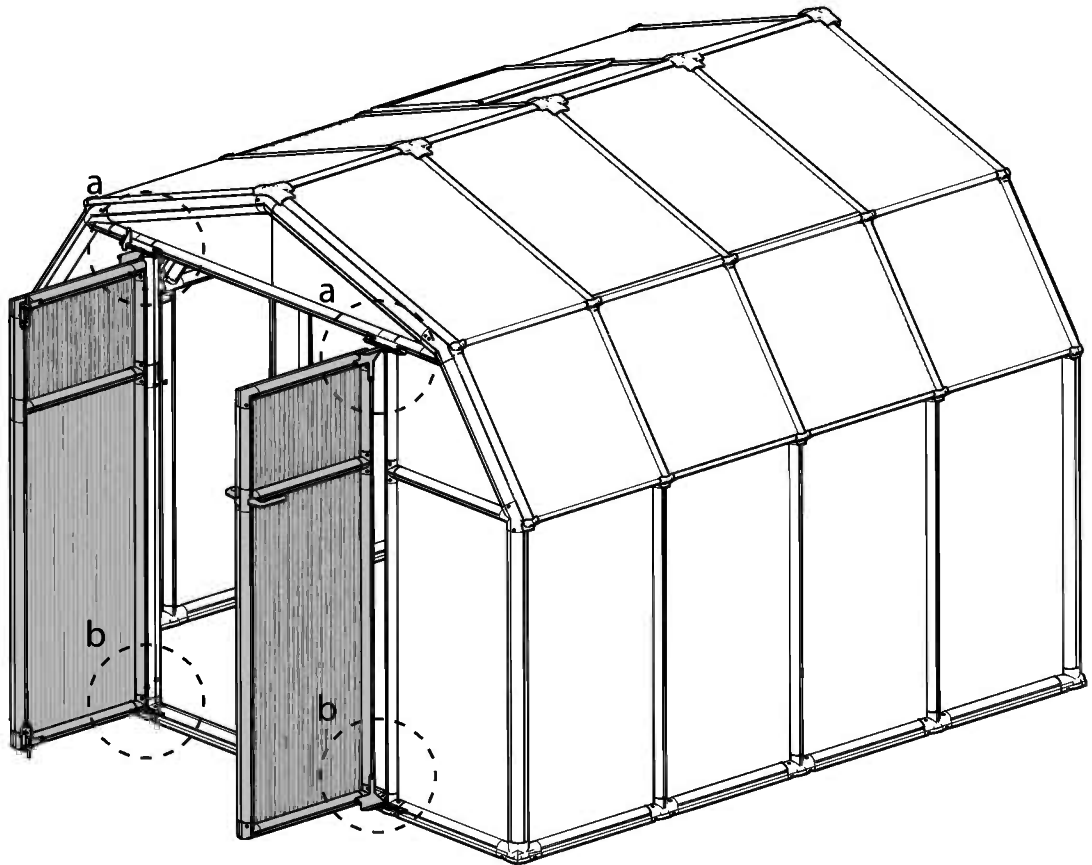
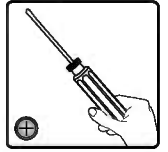


Item		Qty.
DSN		1


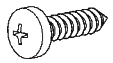


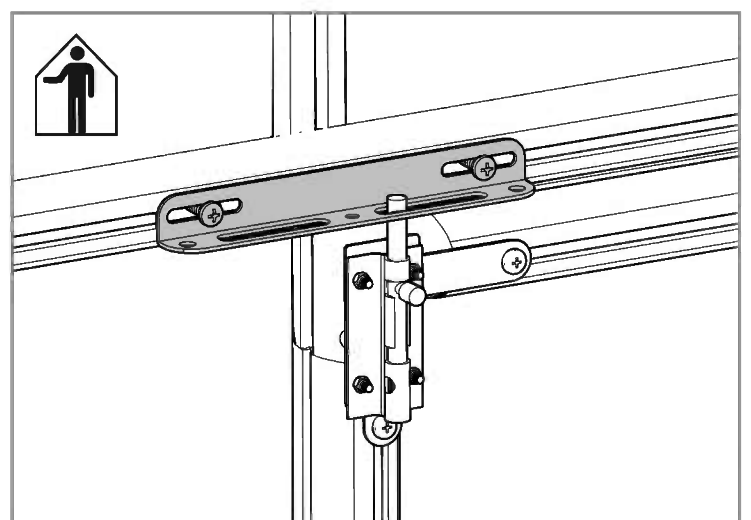
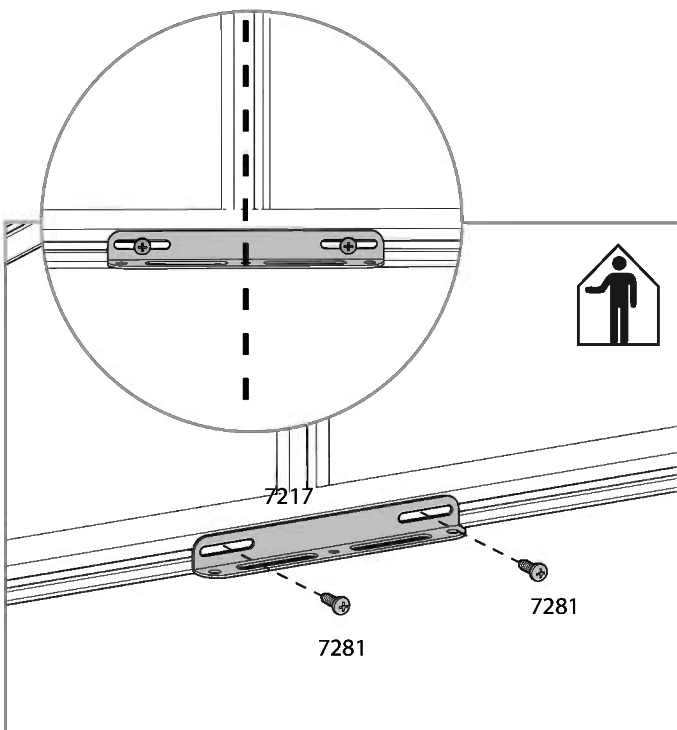
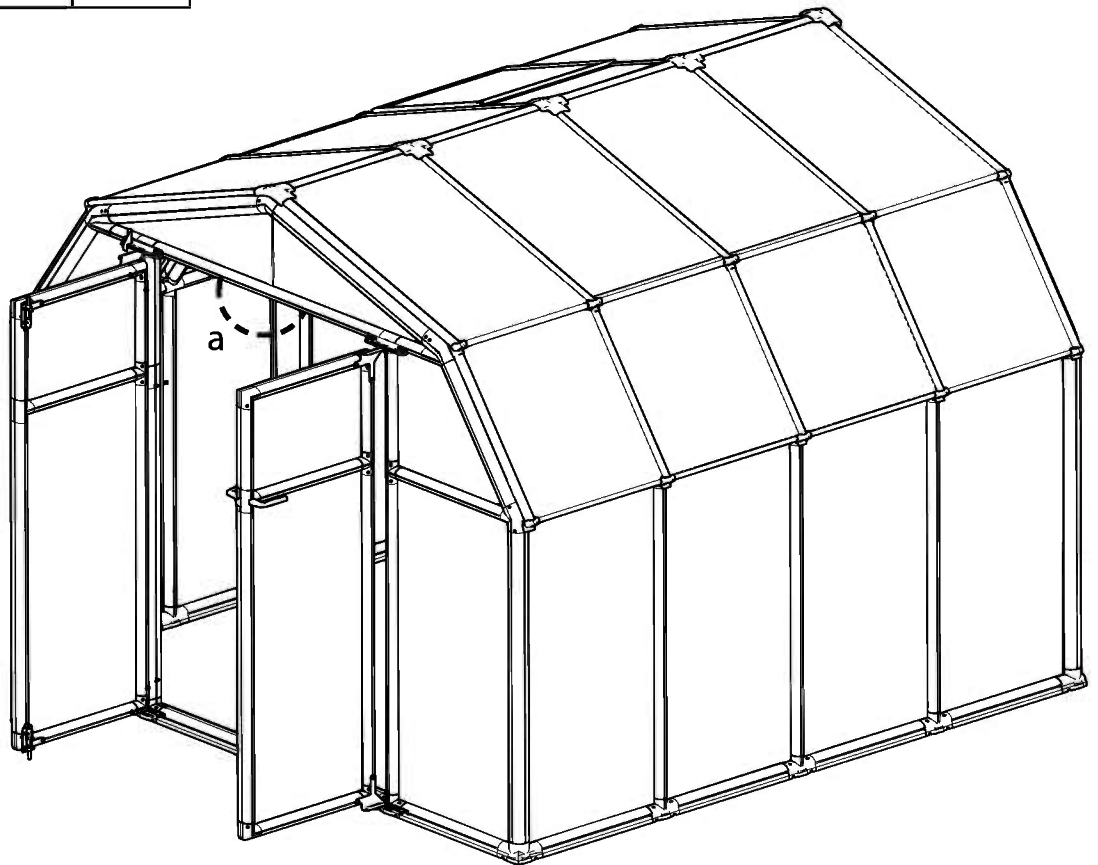
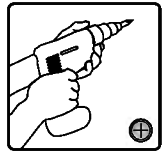


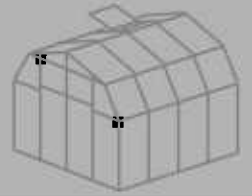
Item		Qty.
4016		4
7279		4
425		4

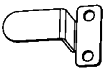
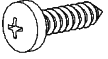


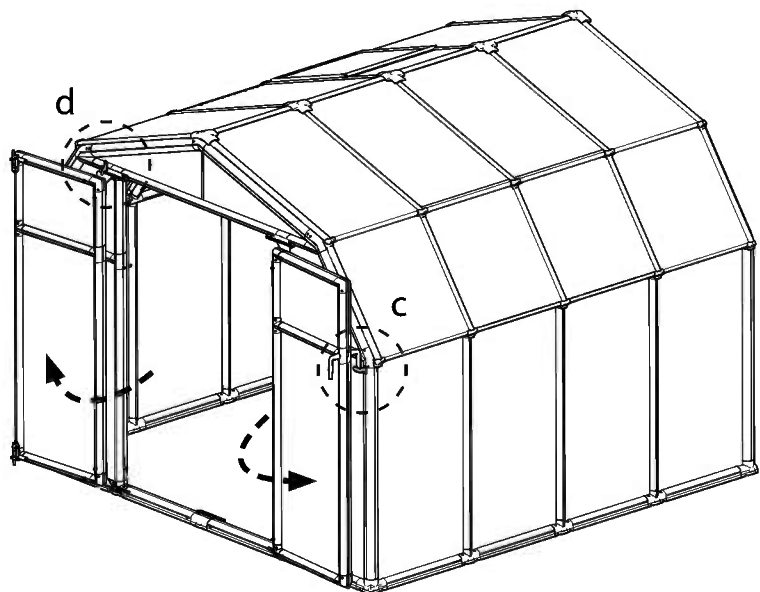
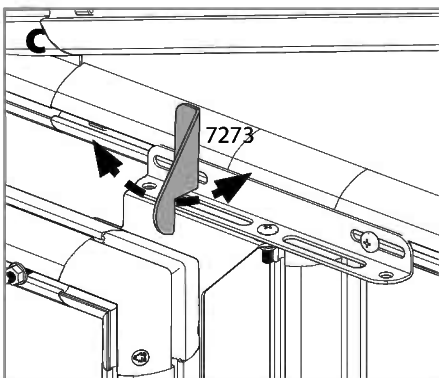
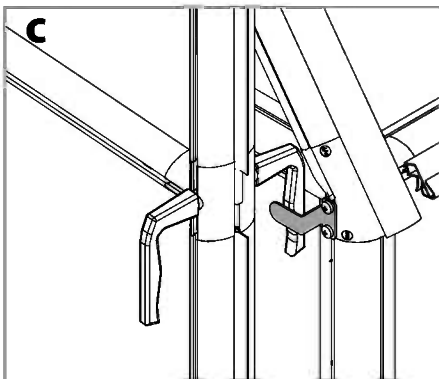
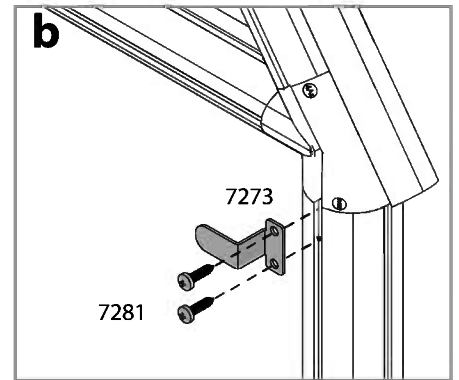
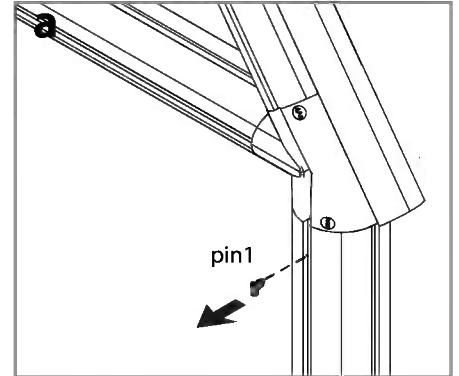
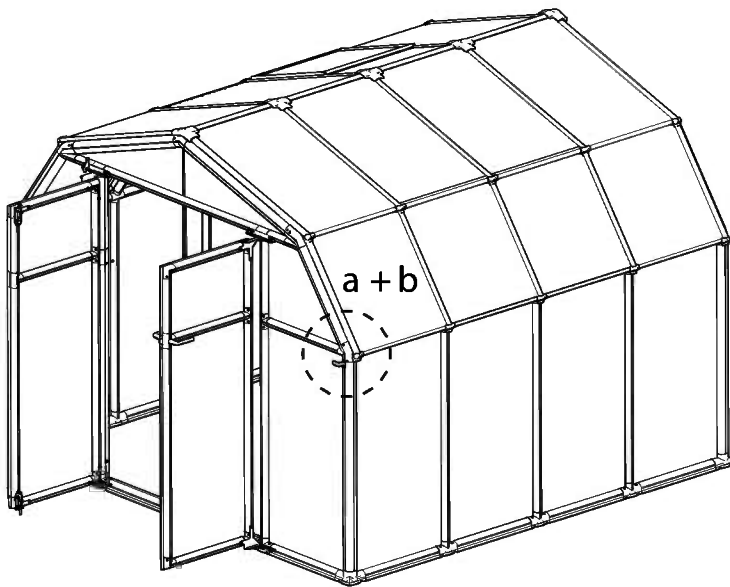
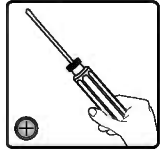
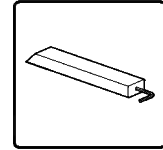


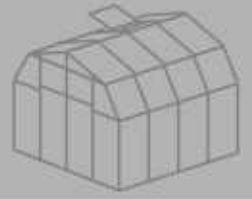
Item		Qty.
7217		1
7281		2

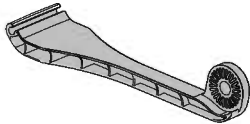
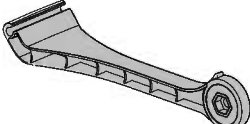
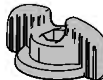
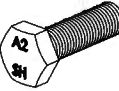



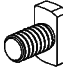






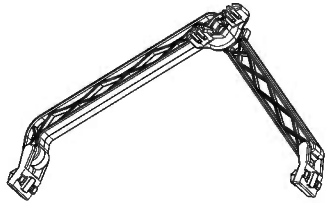


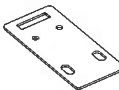

Item		Qty.
7273		1
7281		2





Item		Qty.
8797		1
8798		1
8801		1
410		1
412		1
8799		1
8800		1
461		1
466		1
7441		1

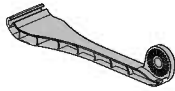
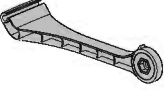

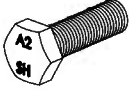

OR

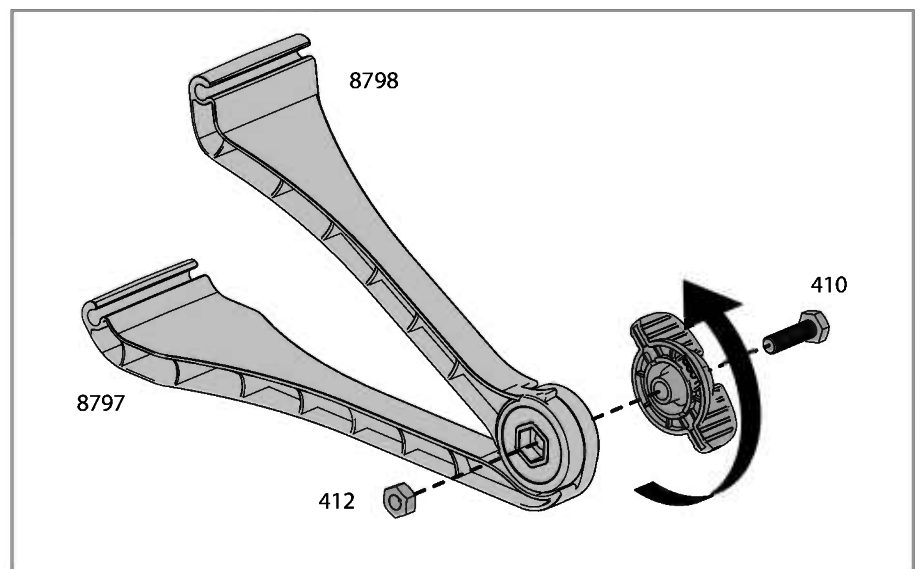
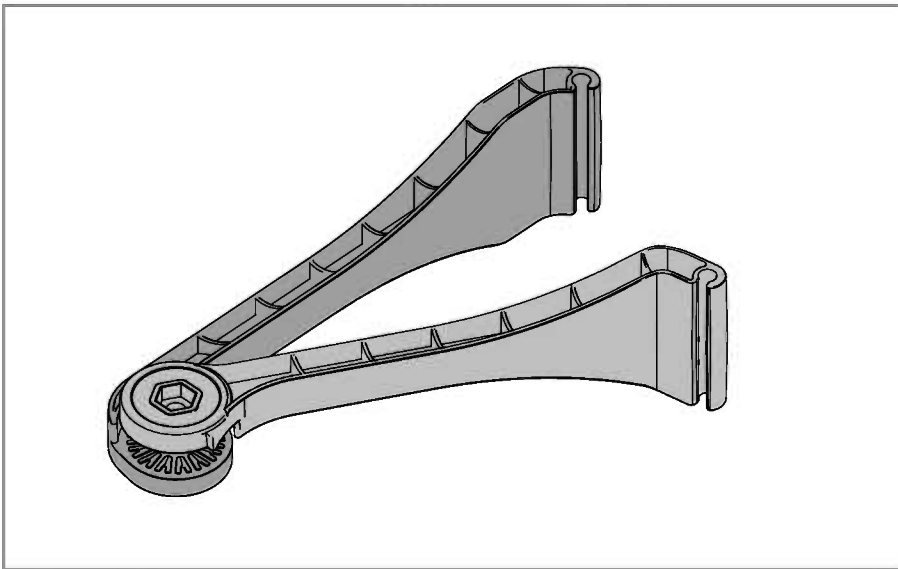
Item		Qty.
99		1
22		1
7441		1
7220		1
466		2

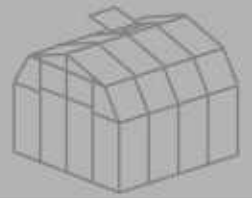
64

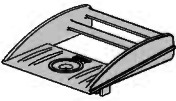
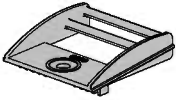
61 - 63

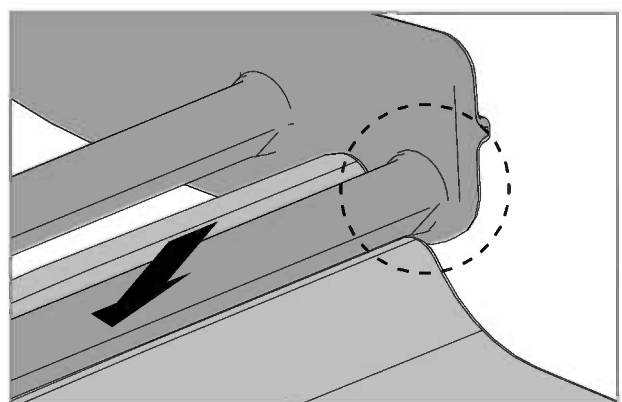
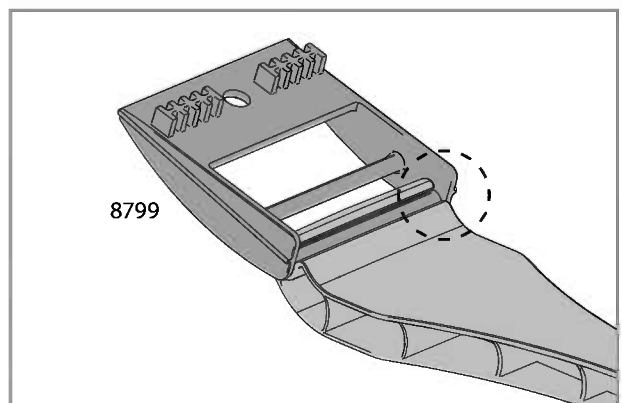
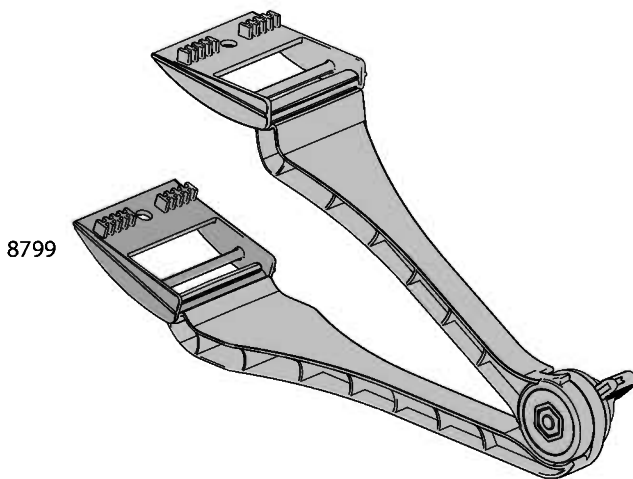
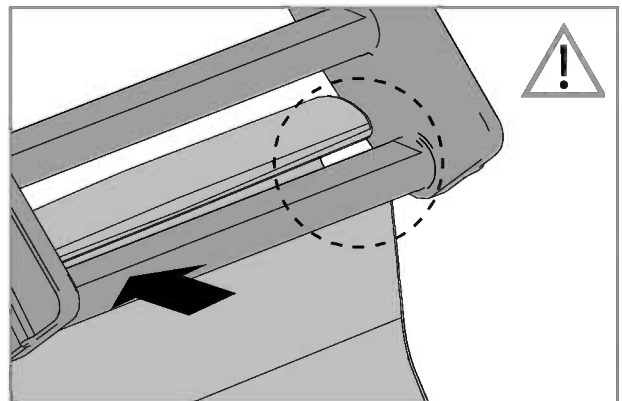
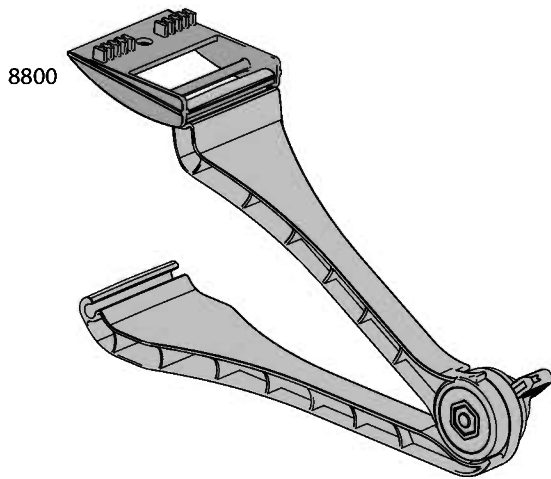
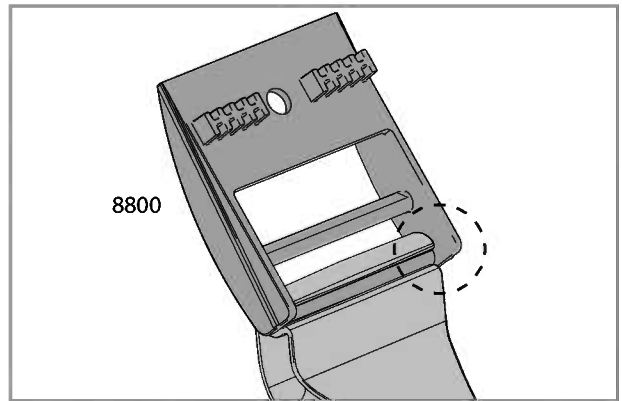


Item		Qty.
8797		1
8798		1
8801		1
410		1
412		1








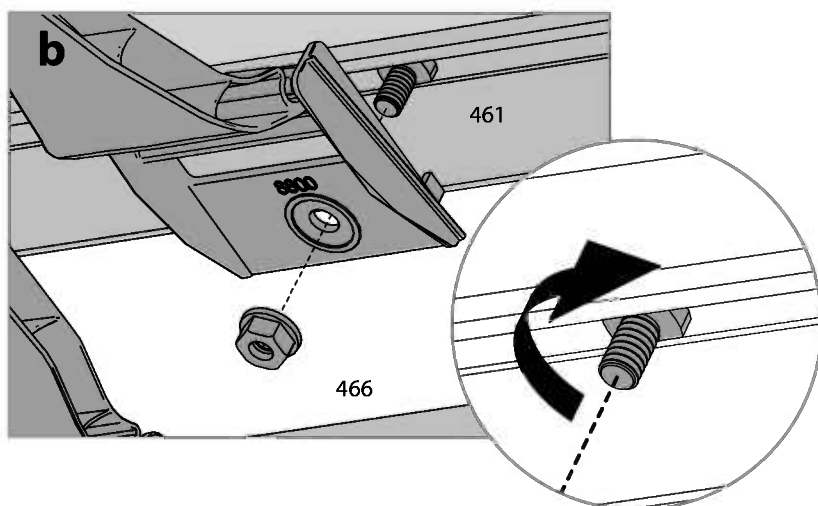
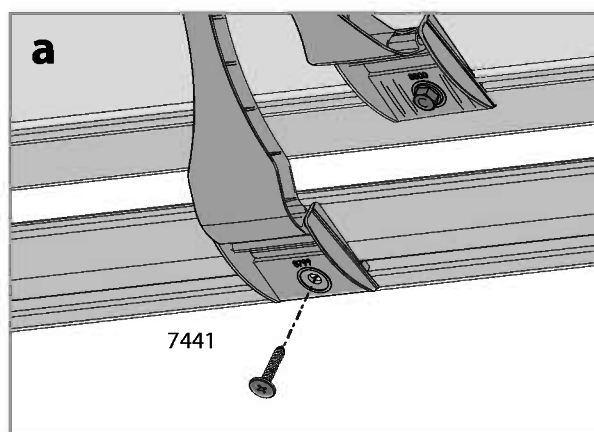
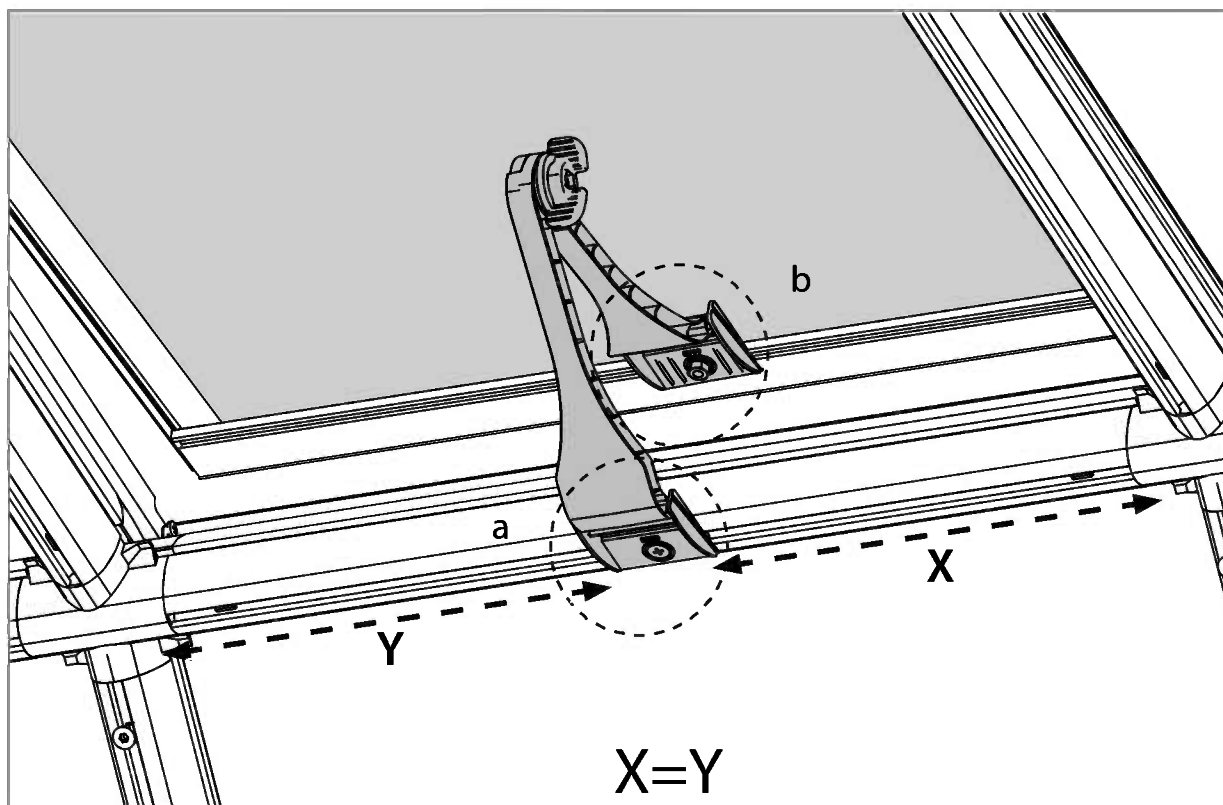
Item		Qty.
8799		1
8800		1

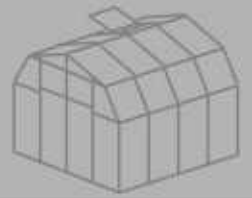




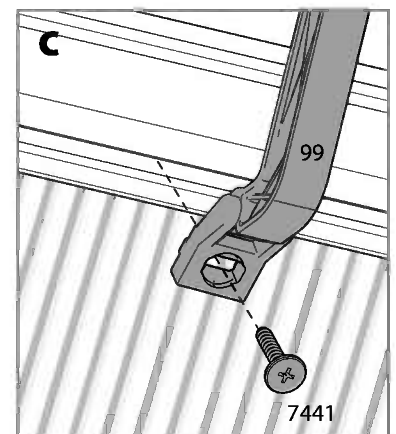
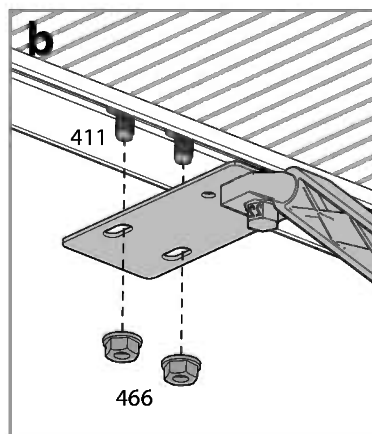
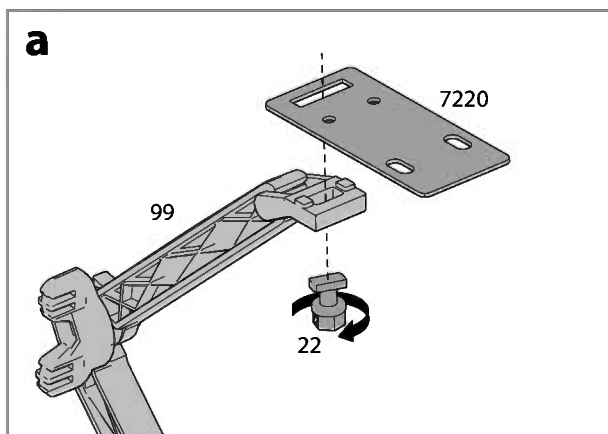
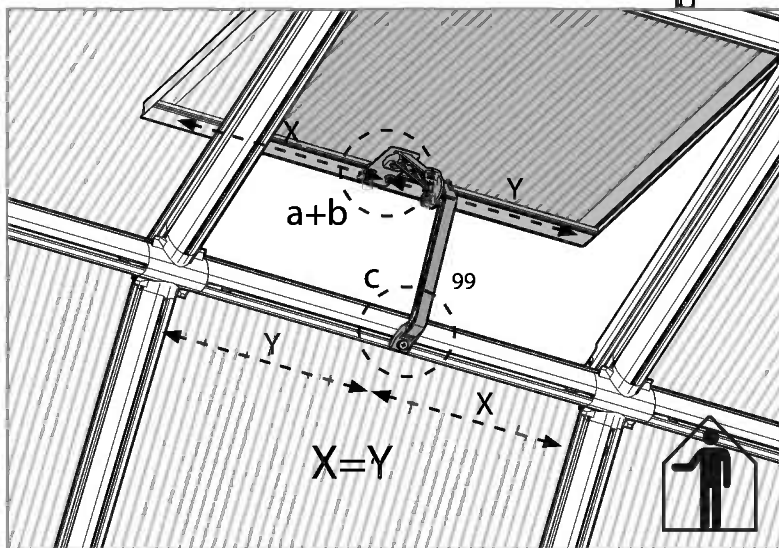
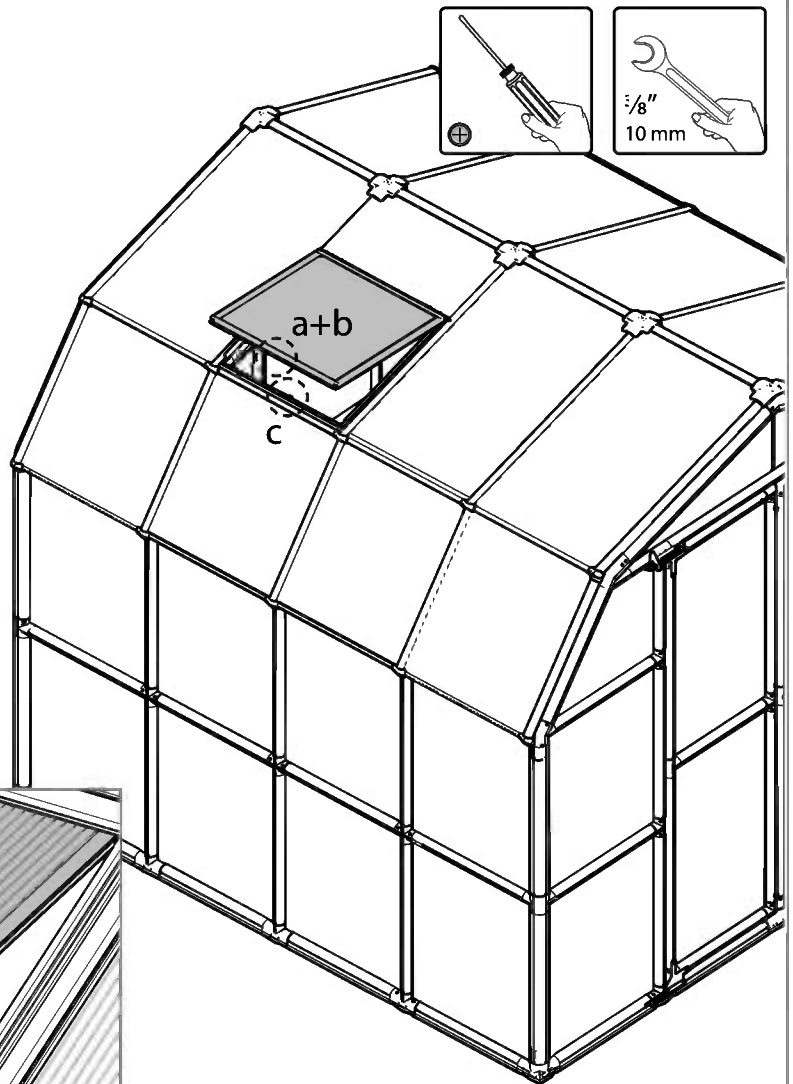
63 **i** In case the window is not closed properly, please release the screws, adjust the profile and tighten the screw.

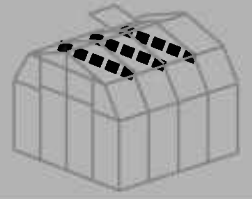
Item		Qty.
461		1
466		1
7441		1


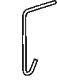
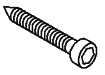




Item		Qty.
99		1
22		1
7441		1
7220		1
466		2





Item		Qty.
CAB40		3
Hook1		3
AS70		6

